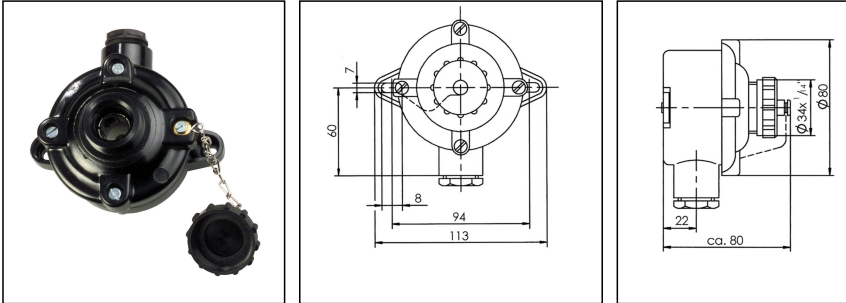


503-1xPG16

Concentric socket



Products may differ in size, colour and appearance to those shown. If you require further information or customisation, please contact us directly.

WISKA-Order no.	10010003
Type	503-1xPG16
Voltage max.	50 V
Type of Voltage	DC
Current	10 A
Protection class	IP56
Material	Urea moulding compound
Using for cable gland	
Type of cable gland	PG16 / 12-14mm
Socket insert	concentric
Terminals/poles	2-pole
Temp. range min	-25 °C
Temp. range max	40 °C
Weight	0,25 kg
Colour	Black
Mounting	Surface mounting
Variations	on request
Tariff number	85366990

Recommended accessories

117-1xW10A	10010001
------------	----------

Spare parts

Your Contact:

WISKA Hoppmann GmbH

Kisdorfer Weg 28 · 24568 Kaltenkirchen · Germany

☎ +49-4191-508-0 · 📠 +49-4191-508-209

contact@wiska.de · www.wiska.com

26.06.2026

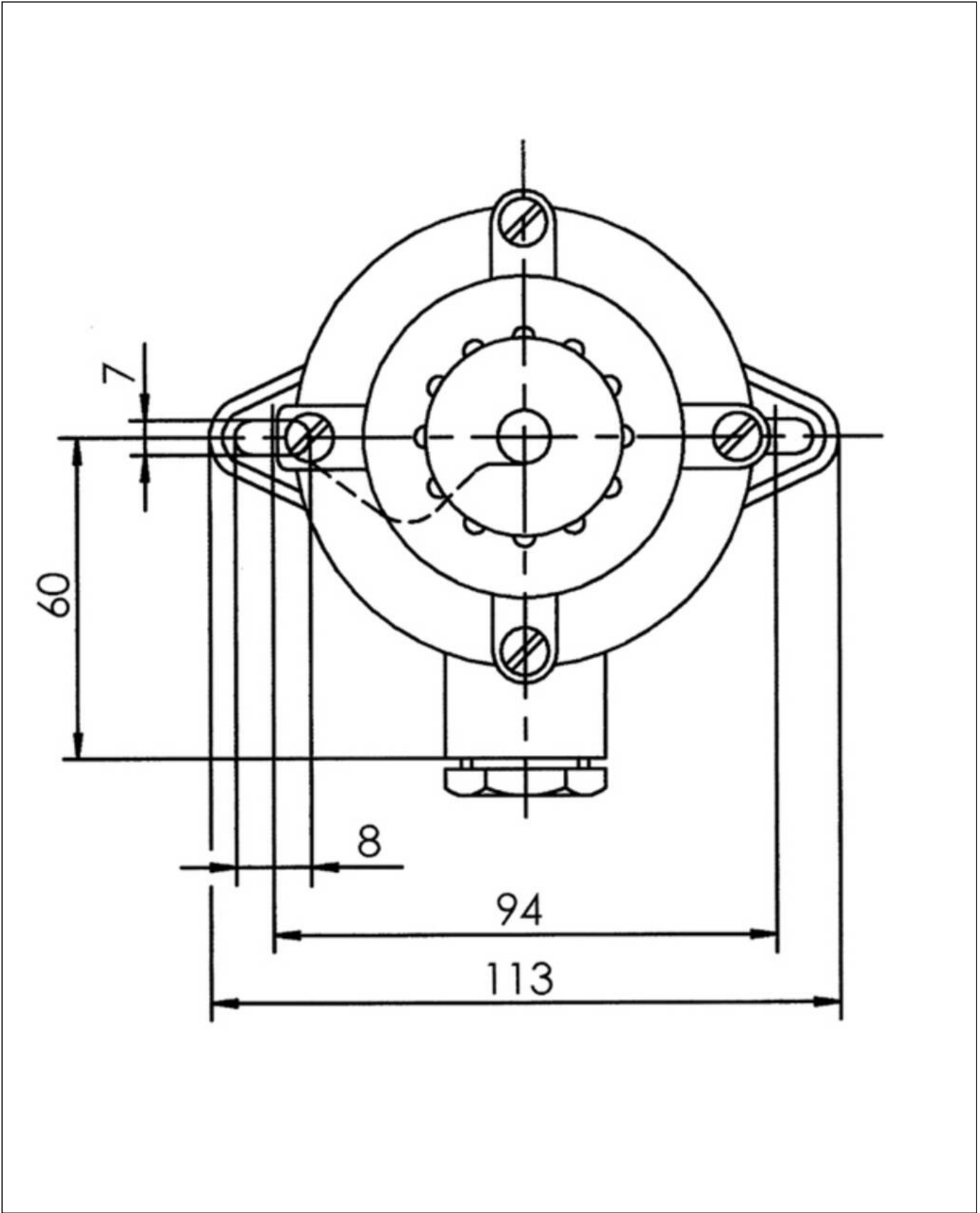
Your Contact:

WISKA Hoppmann GmbH

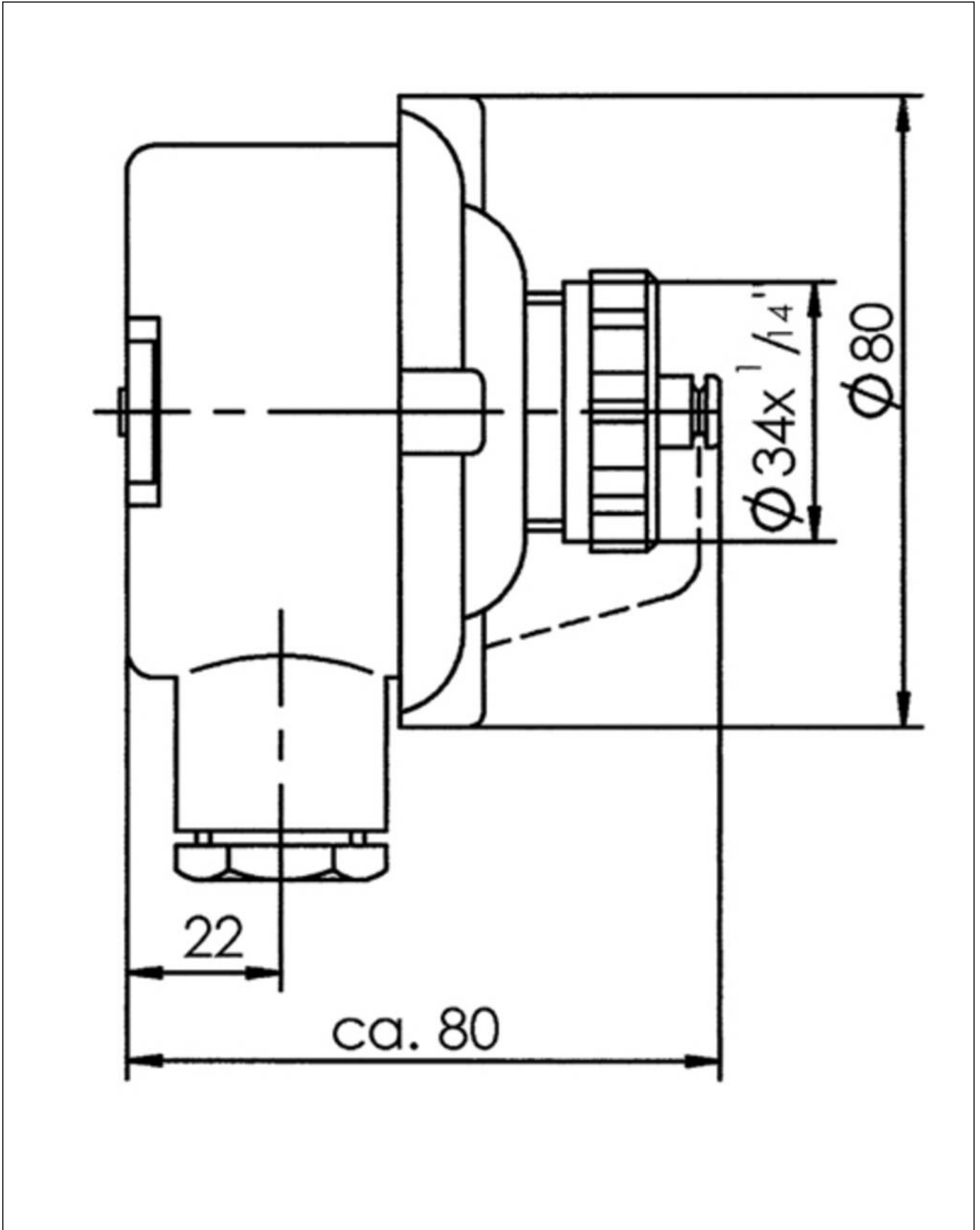
Kisdorfer Weg 28 · 24568 Kaltenkirchen · Germany

☎ +49-4191-508-0 · 📠 +49-4191-508-209

contact@wiska.de · www.wiska.com



Your Contact:
WISKA Hoppmann GmbH
Kisdorfer Weg 28 · 24568 Kaltenkirchen · Germany
☎ +49-4191-508-0 · 📠 +49-4191-508-209
contact@wiska.de · www.wiska.com



Your Contact:

WISKA Hoppmann GmbH

Kisdorfer Weg 28 · 24568 Kaltenkirchen · Germany

☎ +49-4191-508-0 · 📠 +49-4191-508-209

contact@wiska.de · www.wiska.com