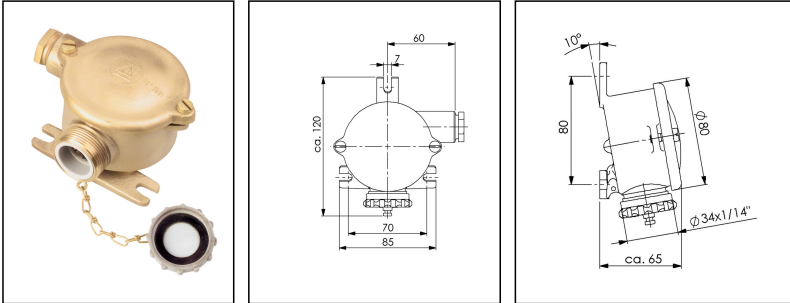



## 110/R/50V-1xZ14

Concentric socket 50V DC, brass, IP56



Products may differ in size, colour and appearance to those shown. If you require further information or customisation, please contact us directly.

<b>WISKA-Order no.</b>	10010011
<b>Type</b>	110/R/50V-1xZ14
<b>Voltage</b>	50 V
<b>Type of Voltage</b>	DC
<b>Current</b>	10 A
<b>Protection class</b>	IP56
<b>Material</b>	Brass
<b>Material protective cap</b>	Polyamide
<b>Using for cable gland</b>	
<b>Type of cable gland</b>	M 24 x 1,5
<b>Ø cable diameter min</b>	12 mm
<b>Ø cable diameter max</b>	14,5 mm
<b>Type of cable</b>	armoured
<b>Socket insert</b>	concentric
<b>Terminals/poles</b>	2-pole
<b>Temp. range min</b>	-25 °C
<b>Temp. range max</b>	40 °C
<b>Weight</b>	0,89 kg
<b>Mounting</b>	Surface mounting
<b>Variations</b>	on request
<b>Tariff number</b>	85366990

### Recommended accessories

Your Contact:

WISKA Hoppmann GmbH

Kisdorfer Weg 28 · 24568 Kaltenkirchen · Germany

☎ +49-4191-508-0 · 📠 +49-4191-508-209

contact@wiska.de · www.wiska.com

117-1xW10A

10010001

## Spare parts

SP-2110 Concentric socket interior

22000378

SP-HNA Cover sealing

22000838

26.06.2026

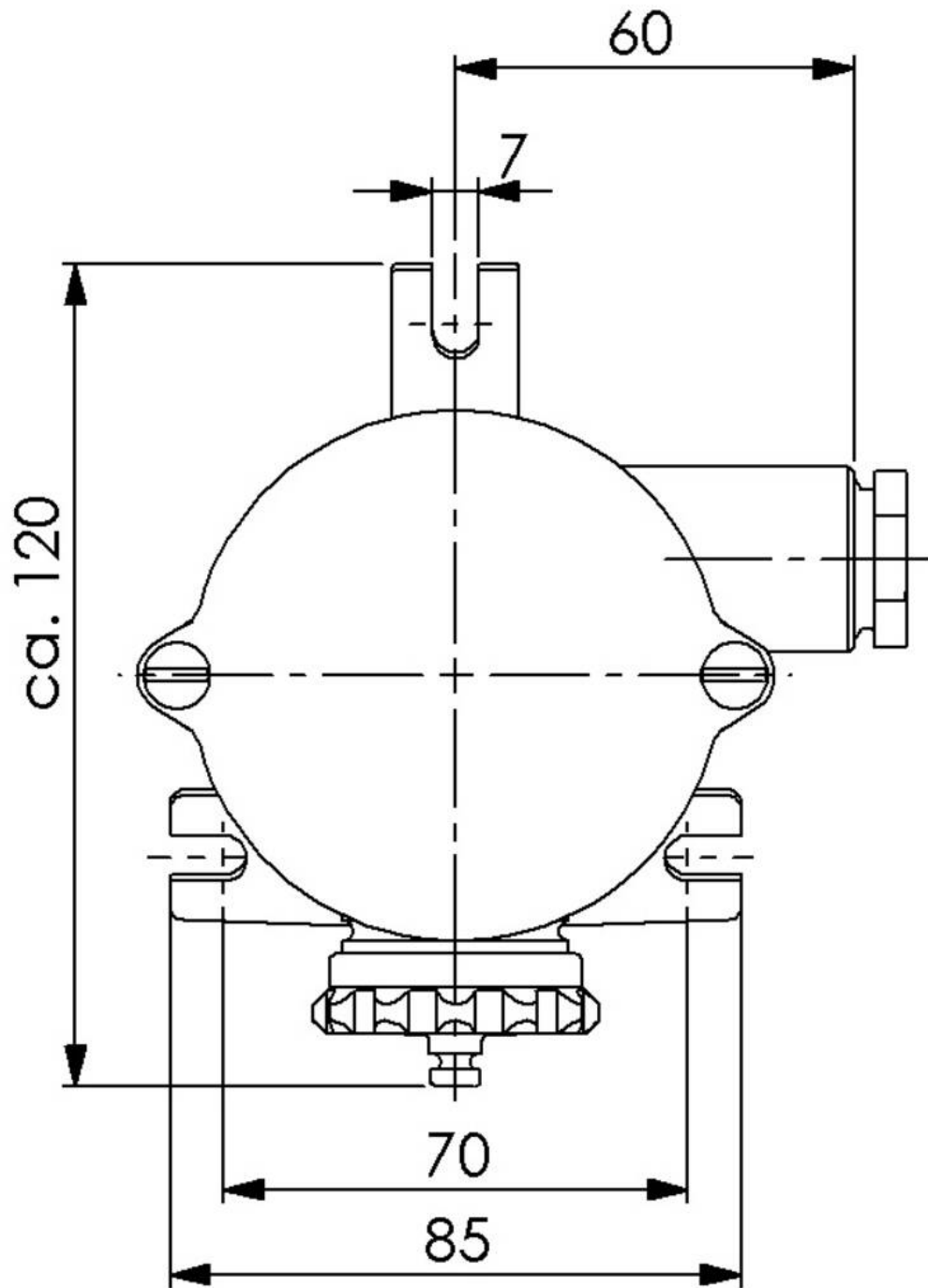
Your Contact:

**WISKA Hoppmann GmbH**

Kisdorfer Weg 28 · 24568 Kaltenkirchen · Germany

☎ +49-4191-508-0 · 📠 +49-4191-508-209

contact@wiska.de · www.wiska.com



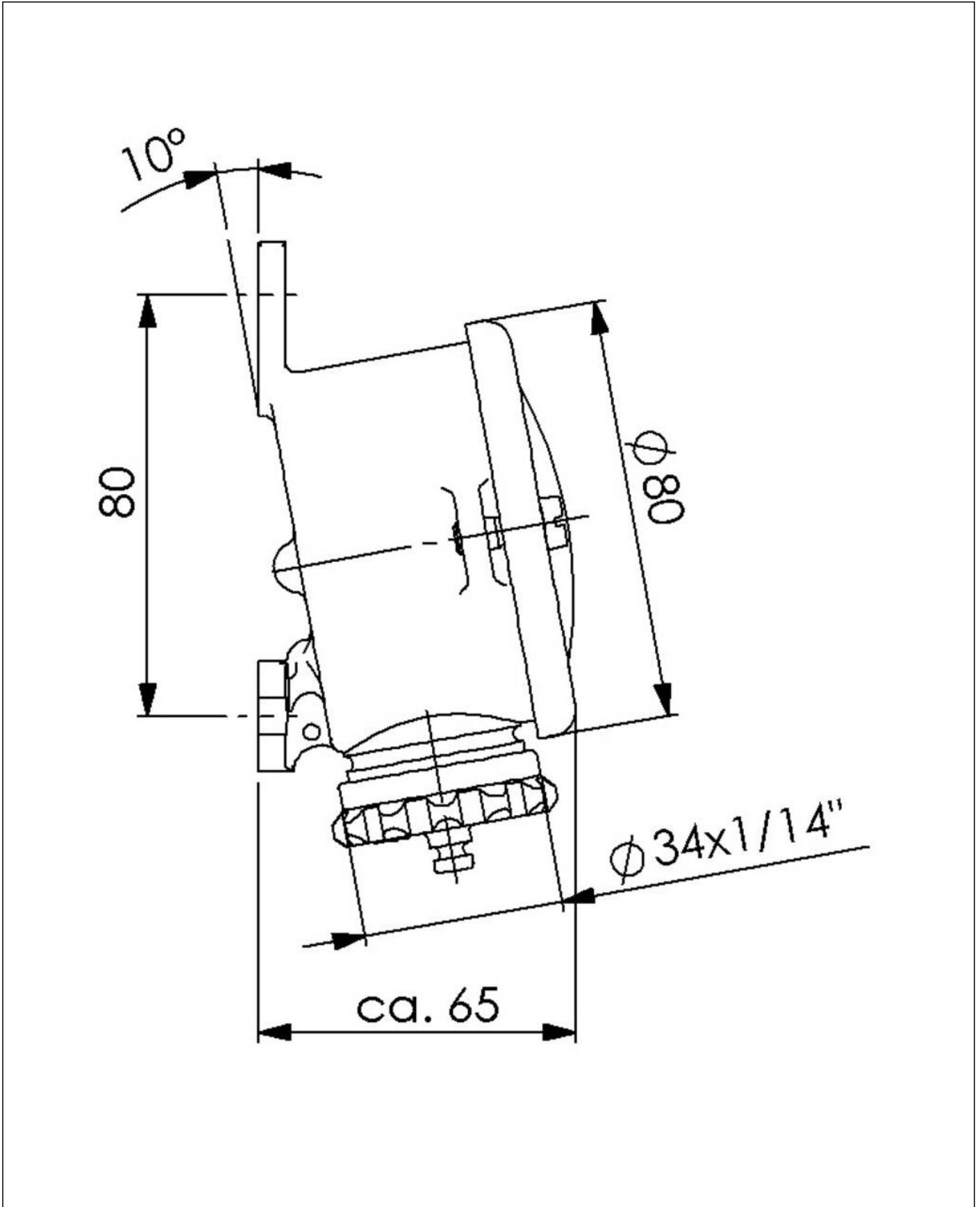
Your Contact:

**WISKA Hoppmann GmbH**

Kisdorfer Weg 28 · 24568 Kaltenkirchen · Germany

☎ +49-4191-508-0 · 📠 +49-4191-508-209

contact@wiska.de · www.wiska.com



Your Contact:

**WISKA Hoppmann GmbH**

Kisdorfer Weg 28 · 24568 Kaltenkirchen · Germany

☎ +49-4191-508-0 · 📠 +49-4191-508-209

contact@wiska.de · www.wiska.com