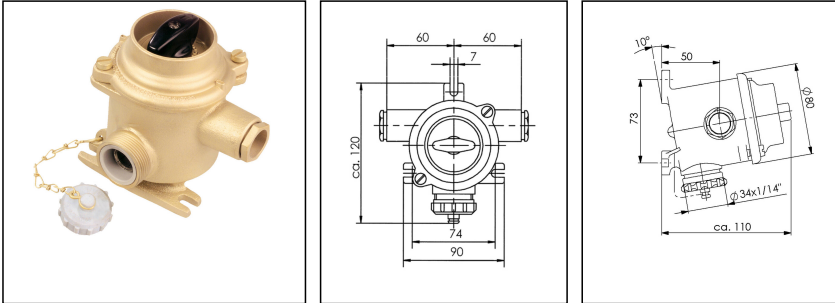
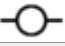


105/D/We/50V/FS-2xZ14

Concentric socket with switch 10A 50V DC, brass, IP56



Products may differ in size, colour and appearance to those shown. If you require further information or customisation, please contact us directly.

WISKA-Order no.	10010031
Type	105/D/We/50V/FS-2xZ14
Voltage	50 V
Type of Voltage	DC
Current	10 A
Protection class	IP56
Material	Brass
Material protective cap	Polyamide
Using for cable gland	
Type of cable gland	M 24 x 1,5
Ø cable diameter min	12 mm
Ø cable diameter max	14,5 mm
Type of cable	armoured
Type of switch	Change-over, 1-pole
Socket insert	concentric
Terminals/poles	2-pole
Temp. range min	-25 °C
Temp. range max	40 °C
Weight	1,4 kg
Mounting	Surface mounting
Variations	on request
Tariff number	85366990

Your Contact:

WISKA Hoppmann GmbH

Kisdorfer Weg 28 · 24568 Kaltenkirchen · Germany

☎ +49-4191-508-0 · 📠 +49-4191-508-209

contact@wiska.de · www.wiska.com

Recommended accessories

117-1xW10A	10010001
-------------------	----------

Spare parts

SP-1843 Change-over switch 6/1, 1-pol.	22000356
SP-2110 Concentric socket interior	22000378
SP-HNA Knob 1842 - 1845	22000639
SP-HNA Cover sealing	22000838

23.05.2026

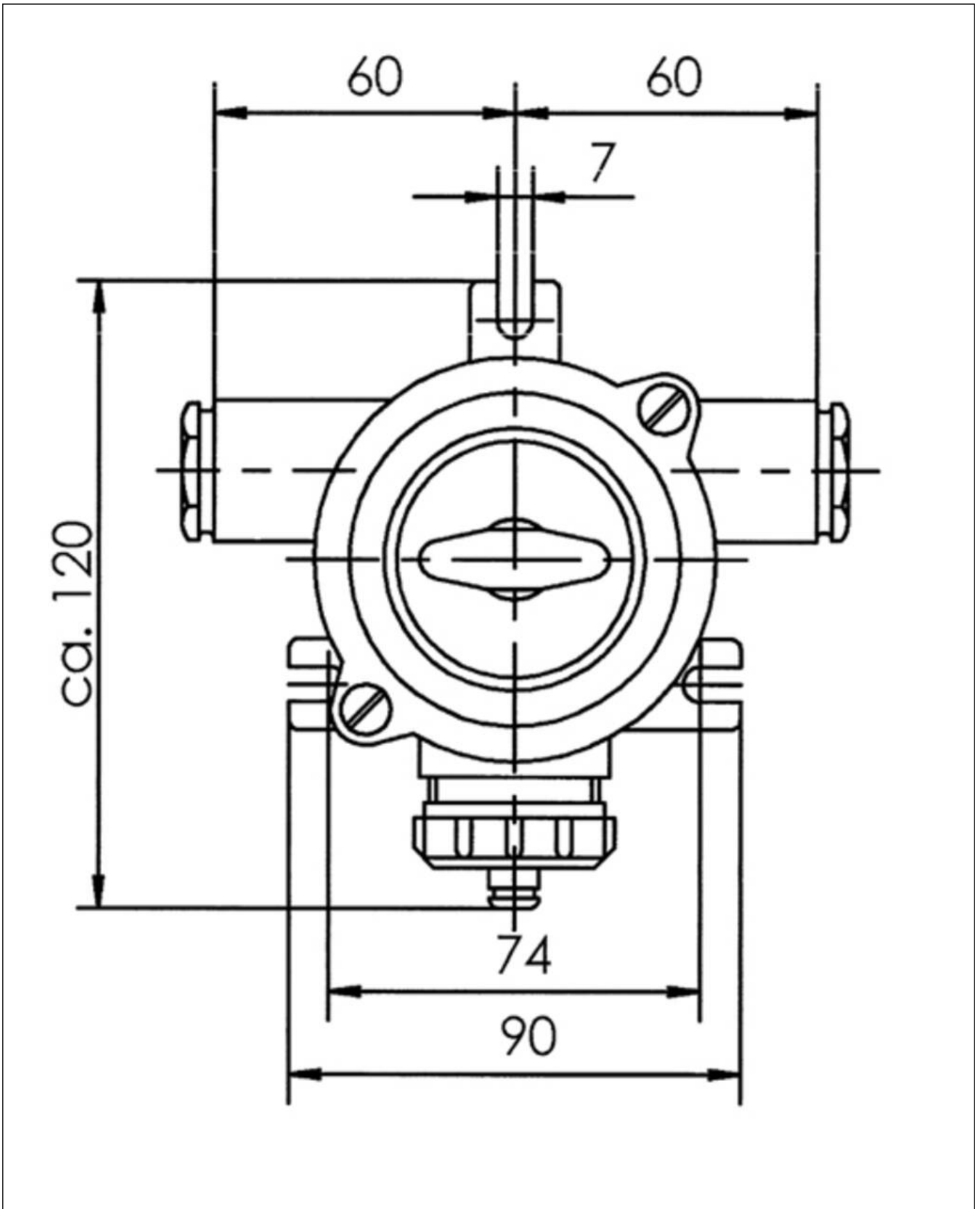
Your Contact:

WISKA Hoppmann GmbH

Kisdorfer Weg 28 · 24568 Kaltenkirchen · Germany

☎ +49-4191-508-0 · 📠 +49-4191-508-209

contact@wiska.de · www.wiska.com



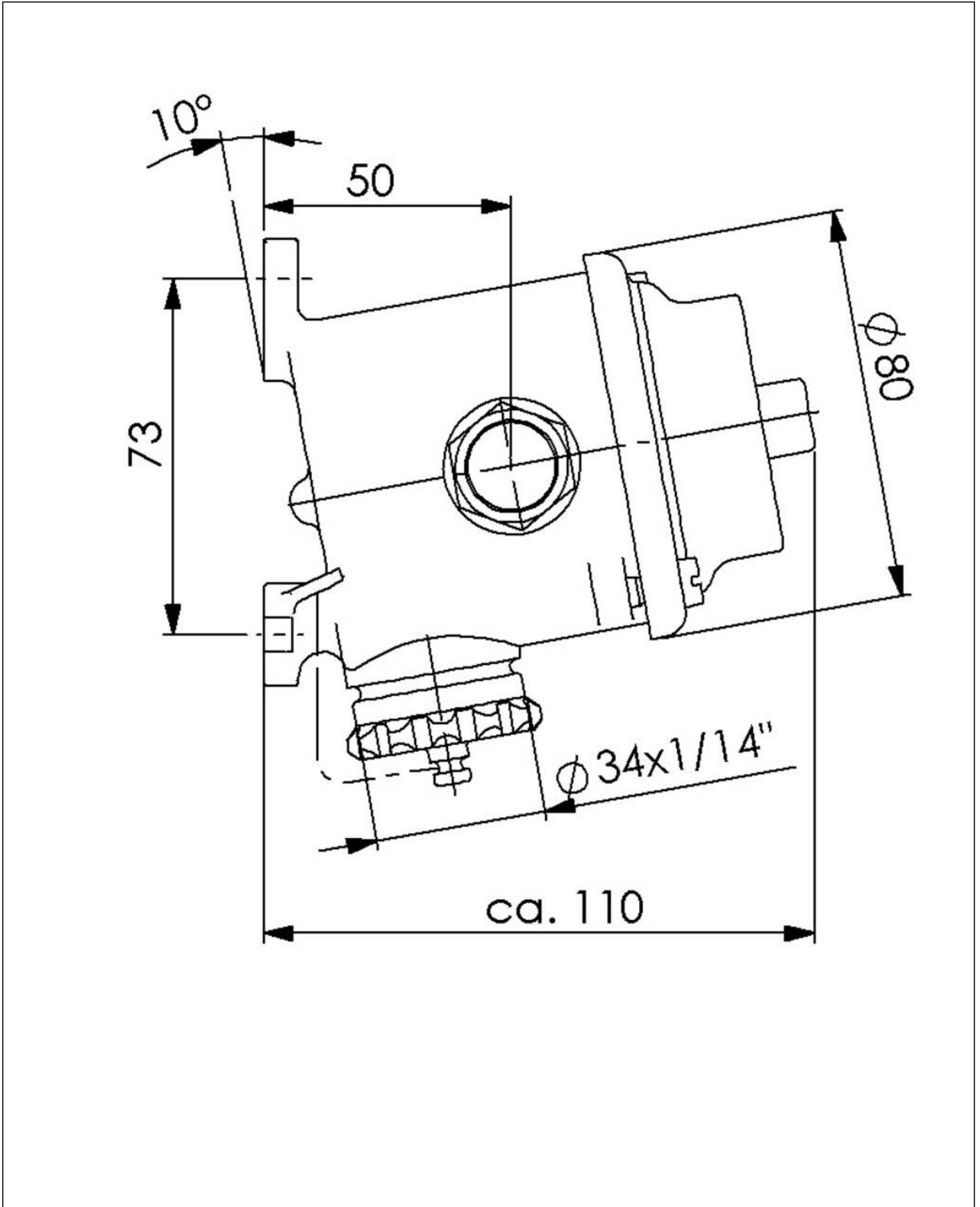
Your Contact:

WISKA Hoppmann GmbH

Kisdorfer Weg 28 · 24568 Kaltenkirchen · Germany

☎ +49-4191-508-0 · 📠 +49-4191-508-209

contact@wiska.de · www.wiska.com



Your Contact:

WISKA Hoppmann GmbH

Kisdorfer Weg 28 · 24568 Kaltenkirchen · Germany

☎ +49-4191-508-0 · 📠 +49-4191-508-209

contact@wiska.de · www.wiska.com