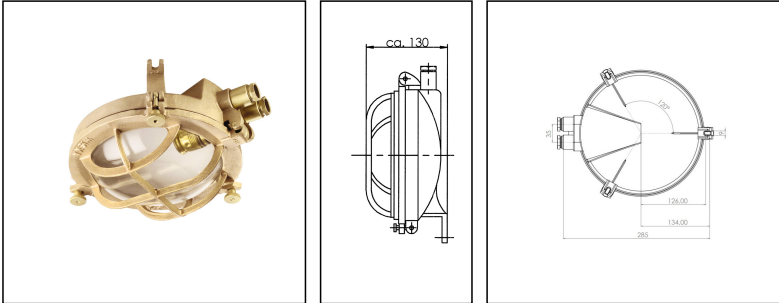



1026/2/N/B-2xZ14

Flat ceiling light max. 60W B22d / max. 25W B15d 230V, brass, IP56



Products may differ in size, colour and appearance to those shown. If you require further information or customisation, please contact us directly.



| | |
|--------------------------------|---|
| WISKA-Order no. | 10010221 |
| Type | 1026/2/N/B-2xZ14 |
| Material | Brass |
| Material globe/diffuser | Glass |
| Globe colour | Clear |
| Material guard | Brass |
| Power[^] | 1 x 60 W |
| Wattage | 60 W |
| Voltage | 230 V |
| Type of Voltage | AC |
| Protection class | IP56 |
| Temp. range min | -25 °C |
| Temp. range max | 45 °C |
| Lampholder | B22d |
| Number of lampholder | 1 ST |
| Emergency lampholder | B15d |
| Lightsource | Incandescent lamp, variable |
| Lightsource incl. | No |
| Bulb shape | candle |
| Type of cable gland | M24x1,5 Z 14 / 12-14,5mm |
| Material cable gland | Brass |
| Using for cable gland |  |
| Type of cable | armoured |
| Ø cable diameter min | 12 mm |
| Ø cable diameter max | 14,5 mm |

Your Contact:

WISKA Hoppmann GmbH

Kisdorfer Weg 28 · 24568 Kaltenkirchen · Germany

☎ +49-4191-508-0 · 📠 +49-4191-508-209

contact@wiska.de · www.wiska.com

| | |
|----------------------------------|---------------------------------|
| Mounting | Surface mounting, Ceiling, Wall |
| External dimensions LxWxH | 285x268x130mm |
| Weight | 5,33 kg |
| Approval | RMRS, DNV-GL |
| Tariff number | 94051990 |

Equipment:

- Cast guard
- Emergency light up to 25W

Spare parts

| | |
|---|----------|
| SP-1905 Glass bowl 1026/1027 | 22000301 |
| SP-GLK 1026 Glass bowl with cast guard | 22000303 |
| SP-1983 Nipple lampholder B15d | 22000308 |
| SP-Knurled nut M6 (5 pcs) | 22000862 |

23.05.2026

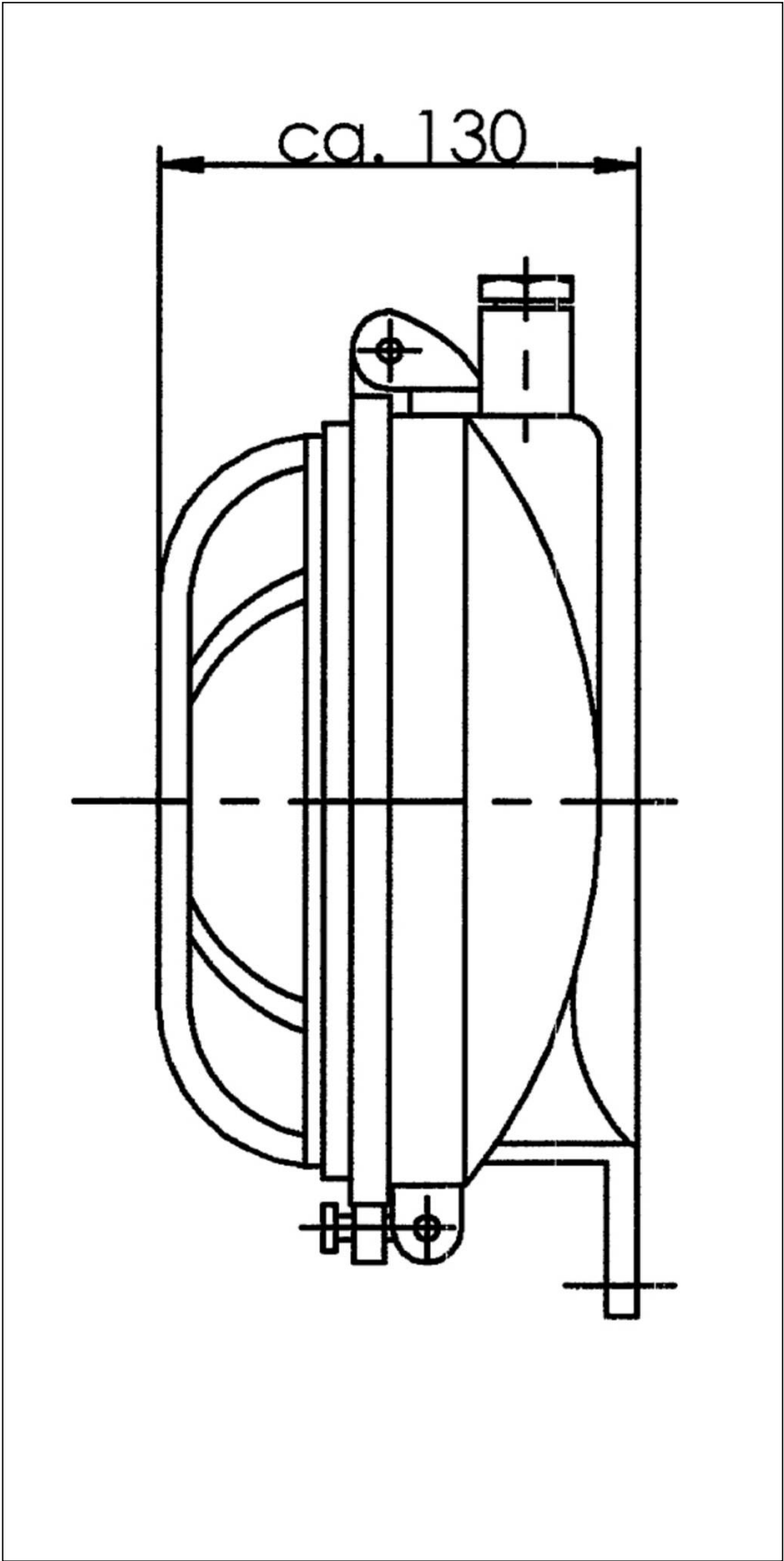
Your Contact:

WISKA Hoppmann GmbH

Kisdorfer Weg 28 · 24568 Kaltenkirchen · Germany

☎ +49-4191-508-0 · 📠 +49-4191-508-209

contact@wiska.de · www.wiska.com



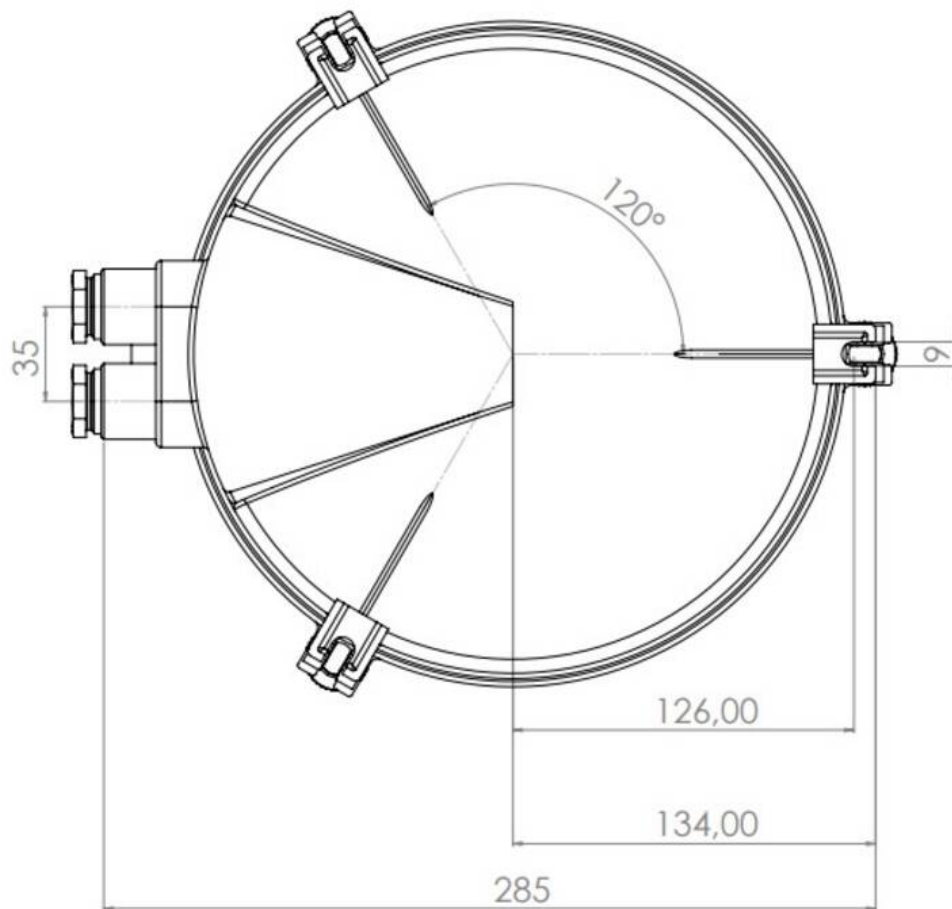
Your Contact:

WISKA Hoppmann GmbH

Kisdorfer Weg 28 · 24568 Kaltenkirchen · Germany

☎ +49-4191-508-0 · 📠 +49-4191-508-209

contact@wiska.de · www.wiska.com



Your Contact:

WISKA Hoppmann GmbH

Kisdorfer Weg 28 · 24568 Kaltenkirchen · Germany

☎ +49-4191-508-0 · 📠 +49-4191-508-209

contact@wiska.de · www.wiska.com