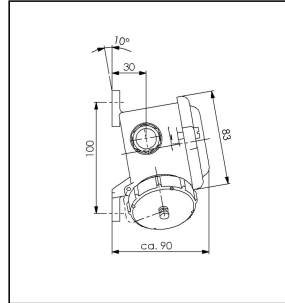
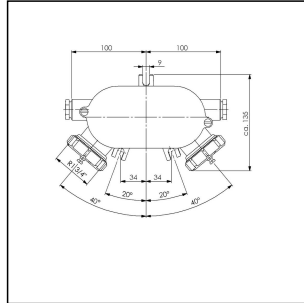



1143/2/250V-2xZ14

HNA-Socket box 2 sockets 250V, brass, IP56



Products may differ in size, colour and appearance to those shown. If you require further information or customisation, please contact us directly.

WISKA-Order no.	10010601
Type	1143/2/250V-2xZ14
Voltage	250 V
Type of Voltage	AC
Current	16 A
Protection class	IP56
Material	Brass
Material protective cap	Polyamide
Using for cable gland	
Type of cable gland	M 24 x 1,5
Ø cable diameter min	12 mm
Ø cable diameter max	14,5 mm
Type of cable	armoured
Socket insert	HNA
Terminals/poles	2-pole + E
Temp. range min	-25 °C
Temp. range max	40 °C
Number of sockets	2
Weight	2 kg
Mounting	Surface mounting
Variations	on request
Tariff number	85366990

Your Contact:

WISKA Hoppmann GmbH

Kisdorfer Weg 28 · 24568 Kaltenkirchen · Germany

☎ +49-4191-508-0 · 📠 +49-4191-508-209

contact@wiska.de · www.wiska.com

Recommended accessories

1142/FS/250V-1xW10	10010676
1142/MS/250V-1xW10	10010677

Spare parts

SP-1020/KI Terminal block	22000353
SP-138/250V Socket interior	22000375
SP-SK/FS-HNA Screw cap	22000376
SP-HNA Gasket	22000860
SP-GR/HNA/FS R 1 3/8" Ring nut clear	22000868

23.05.2026

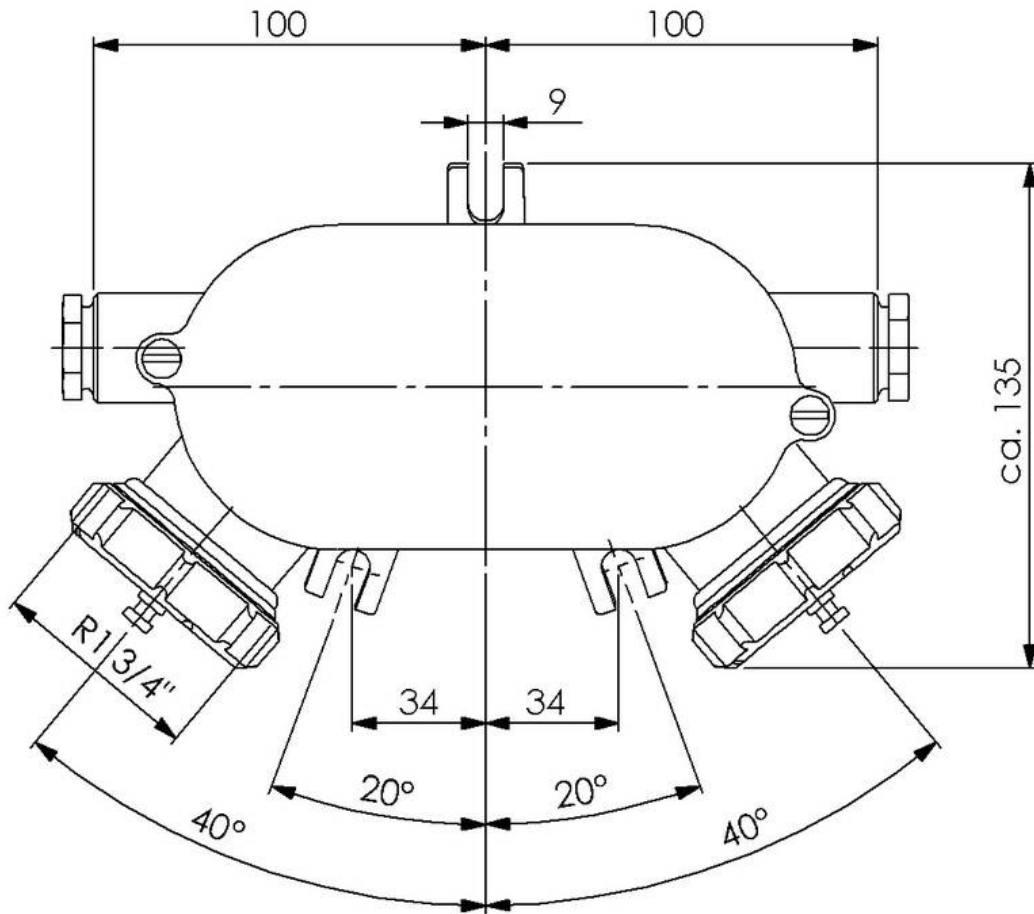
Your Contact:

WISKA Hoppmann GmbH

Kisdorfer Weg 28 · 24568 Kaltenkirchen · Germany

☎ +49-4191-508-0 · 📠 +49-4191-508-209

contact@wiska.de · www.wiska.com



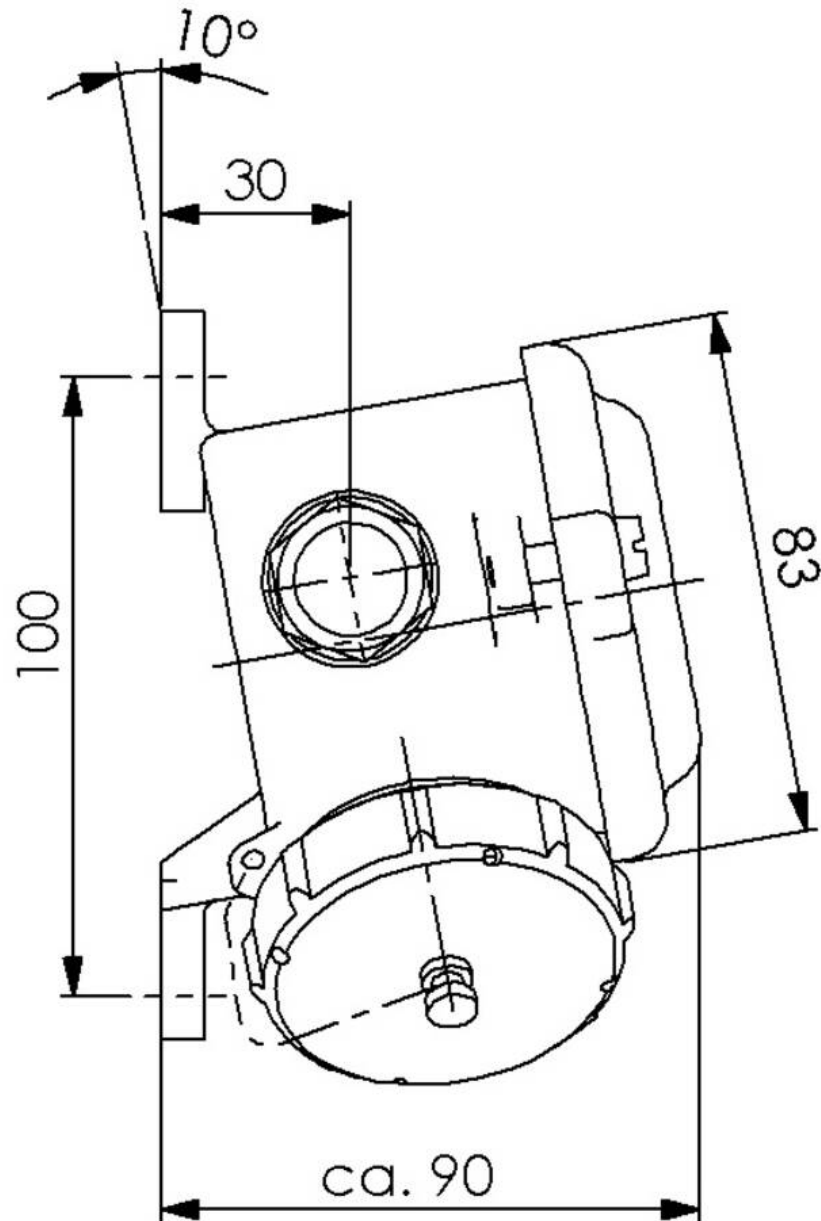
Your Contact:

WISKA Hoppmann GmbH

Kisdorfer Weg 28 · 24568 Kaltenkirchen · Germany

☎ +49-4191-508-0 · 📠 +49-4191-508-209

contact@wiska.de · www.wiska.com



Your Contact:

WISKA Hoppmann GmbH

Kisdorfer Weg 28 · 24568 Kaltenkirchen · Germany

☎ +49-4191-508-0 · 📠 +49-4191-508-209

contact@wiska.de · www.wiska.com