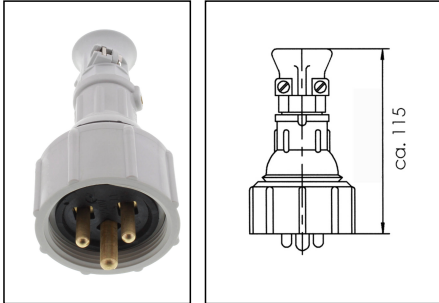


## 1142/FS/150V-1xW10

HNA plug 16A 150V, plastic, RAL 7035, IP56



Products may differ in size, colour and appearance to those shown. If you require further information or customisation, please contact us directly.

<b>WISKA-Order no.</b>	10010680
<b>Type</b>	1142/FS/150V-1xW10
<b>Material</b>	Plastic
<b>Voltage</b>	150 V
<b>Type of Voltage</b>	AC
<b>Current</b>	16 A
<b>Protection class</b>	IP56
<b>Temp. range min</b>	-25 °C
<b>Temp. range max</b>	45 °C
<b>plug insert</b>	HNA
<b>Terminals/poles</b>	2-pole + E
<b>Type of cable gland</b>	M 24 x 1,5
<b>Type of cable</b>	non-armoured
<b>Ø cable diameter min</b>	8 mm
<b>Ø cable diameter max</b>	10,5 mm
<b>Colour</b>	RAL 7035
<b>Norm</b>	DIN 89267
<b>Weight</b>	0,18 kg
<b>Tariff number</b>	85366990

### Spare parts

<b>SP-137/150V Plug interior</b>	22000637
<b>SP-HNA Gasket</b>	22000860

Your Contact:

WISKA Hoppmann GmbH

Kisdorfer Weg 28 · 24568 Kaltenkirchen · Germany

☎ +49-4191-508-0 · 📠 +49-4191-508-209

contact@wiska.de · www.wiska.com

23.05.2026

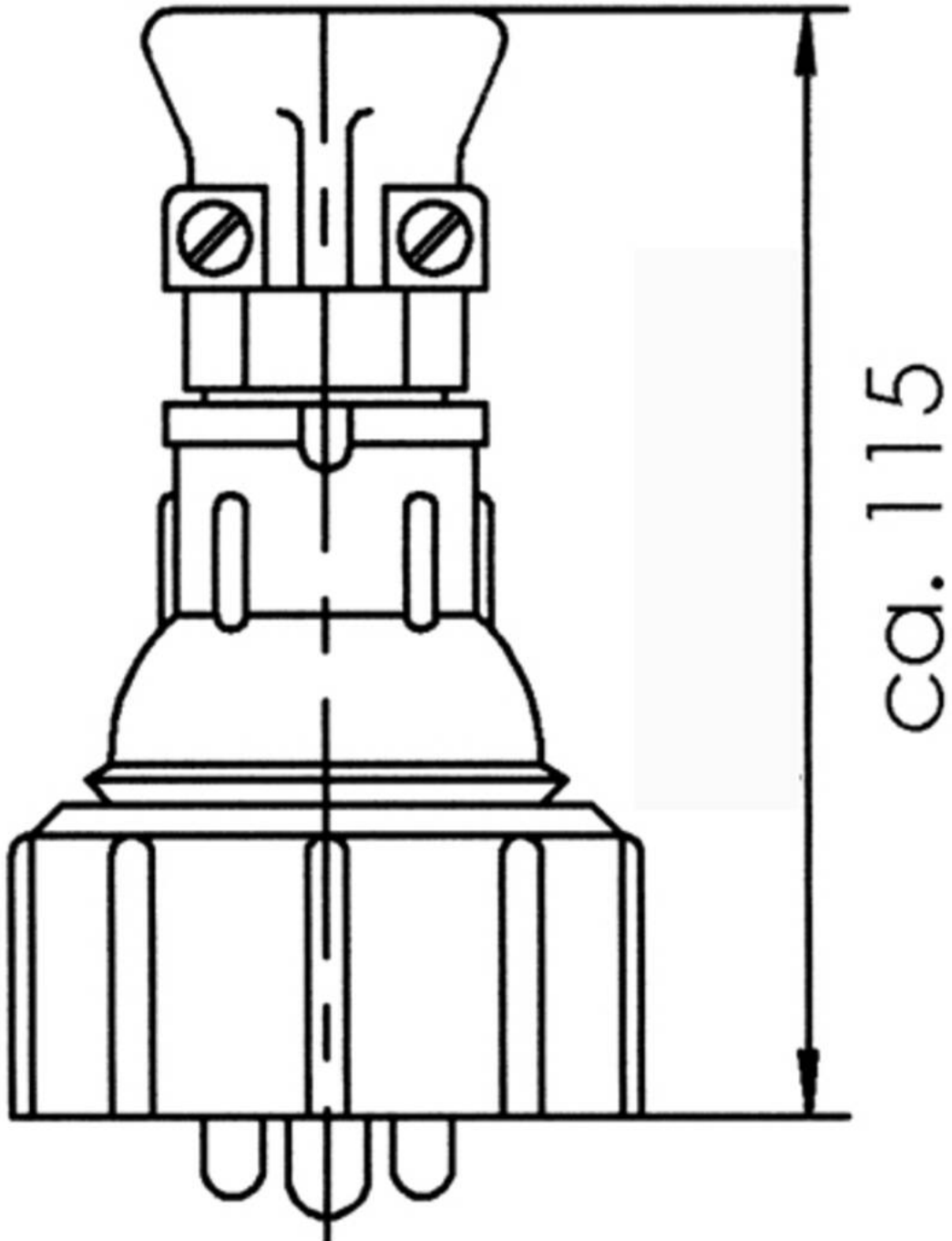
Your Contact:

**WISKA Hoppmann GmbH**

Kisdorfer Weg 28 · 24568 Kaltenkirchen · Germany

☎ +49-4191-508-0 · 📠 +49-4191-508-209

contact@wiska.de · www.wiska.com



Your Contact:

**WISKA Hoppmann GmbH**

Kisdorfer Weg 28 · 24568 Kaltenkirchen · Germany

☎ +49-4191-508-0 · 📠 +49-4191-508-209

contact@wiska.de · www.wiska.com