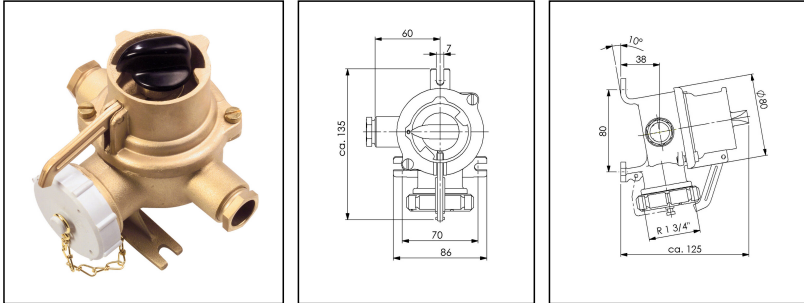
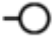


1144/V/FS/250V/16A-1xZ14

HNA-socket with switch, locking type 16A 250V, brass, IP56



Products may differ in size, colour and appearance to those shown. If you require further information or customisation, please contact us directly.

WISKA-Order no.	10010684
Type	1144/V/FS/250V/16A-1xZ14
Voltage	250 V
Type of Voltage	AC
Current	16 A
Protection class	IP56
Material	Brass
Material protective cap	Polyamide
Using for cable gland	
Type of cable gland	M 24 x 1,5
Ø cable diameter min	12 mm
Ø cable diameter max	14,5 mm
Type of cable	armoured
Type of switch	Rotary On-Off switch, 2-pole
Socket insert	2 - poles
Terminals/poles	2-pole + E
Temp. range min	-25 °C
Temp. range max	40 °C
Weight	1,44 kg
Mounting	Surface mounting
Variations	on request
Tariff number	85366990

Your Contact:

WISKA Hoppmann GmbH

Kisdorfer Weg 28 · 24568 Kaltenkirchen · Germany

☎ +49-4191-508-0 · 📠 +49-4191-508-209

contact@wiska.de · www.wiska.com

Recommended accessories

1142V/FS/250V-1xW10	10010694
1142V/MS/250V-1xW10	10010695

Spare parts

SP-138/250V Socket interior	22000375
SP-SK/FS-HNA Screw cap	22000376
SP-1846 Rotary On-Off switch interior	22000381
SP-HNA Cover sealing	22000838
SP-HNA Gasket	22000860
SP-EX-14105 Switch knob	22000865

12.05.2026

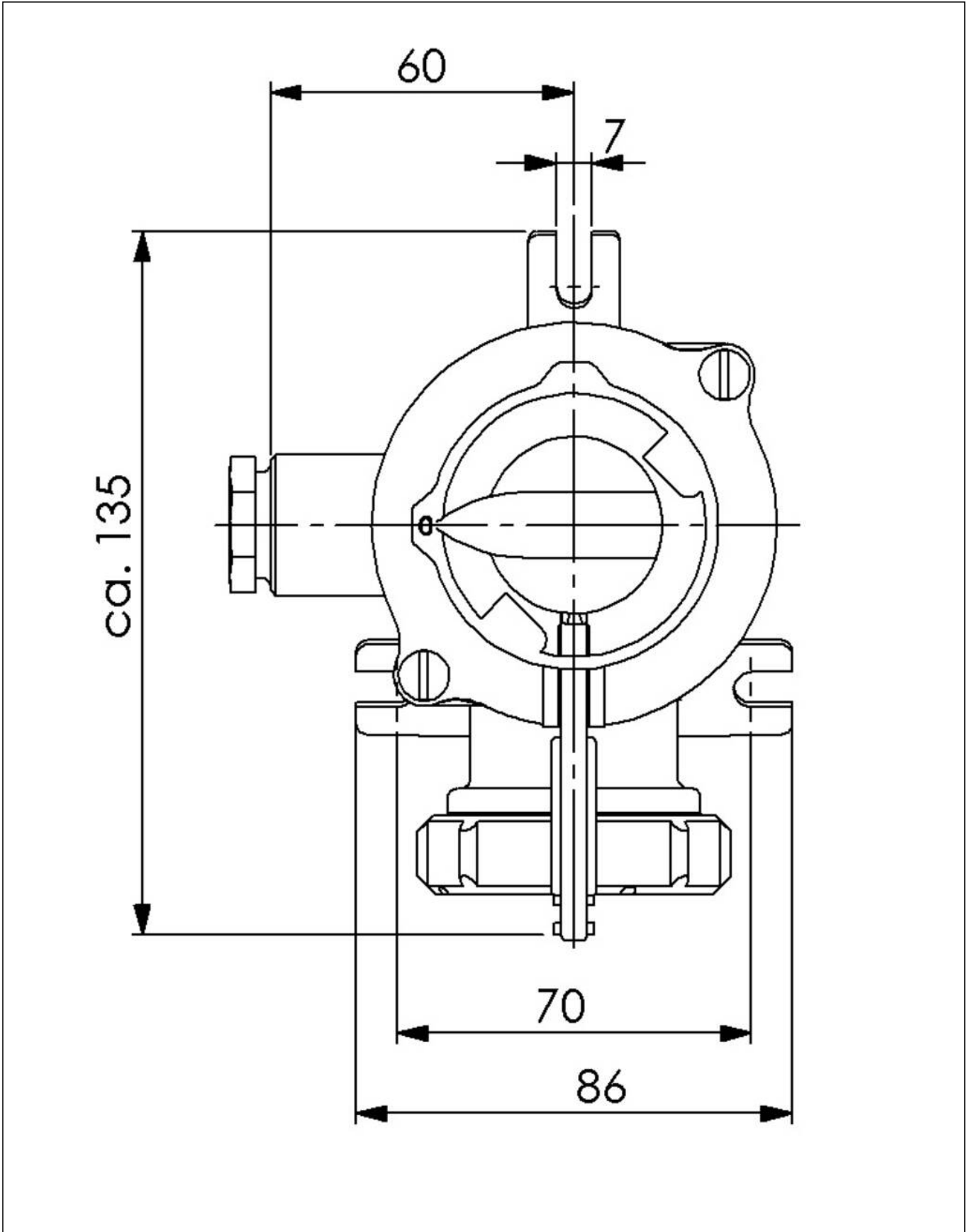
Your Contact:

WISKA Hoppmann GmbH

Kisdorfer Weg 28 · 24568 Kaltenkirchen · Germany

☎ +49-4191-508-0 · 📠 +49-4191-508-209

contact@wiska.de · www.wiska.com



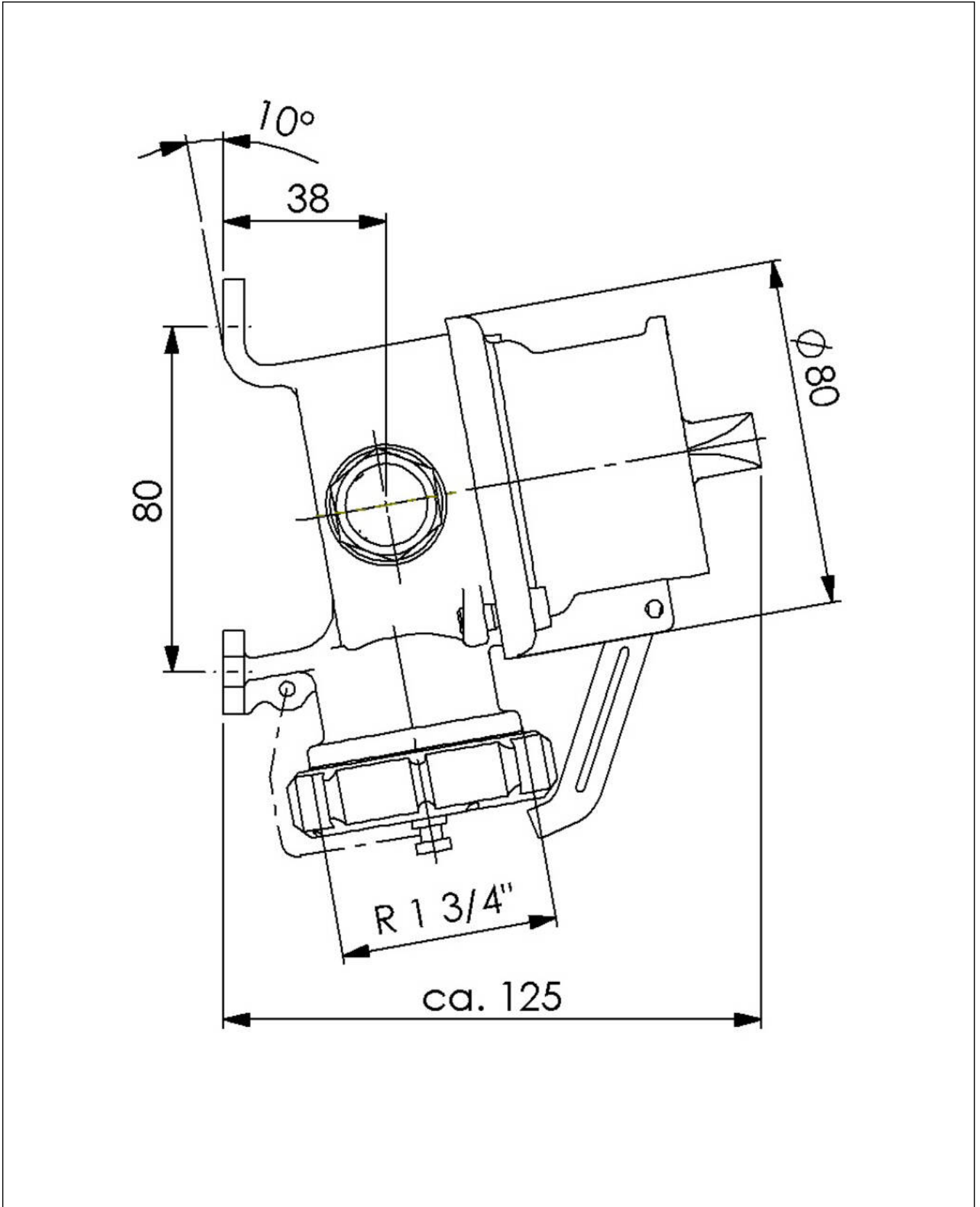
Your Contact:

WISKA Hoppmann GmbH

Kisdorfer Weg 28 · 24568 Kaltenkirchen · Germany

☎ +49-4191-508-0 · 📠 +49-4191-508-209

contact@wiska.de · www.wiska.com



Your Contact:

WISKA Hoppmann GmbH

Kisdorfer Weg 28 · 24568 Kaltenkirchen · Germany

☎ +49-4191-508-0 · 📠 +49-4191-508-209

contact@wiska.de · www.wiska.com