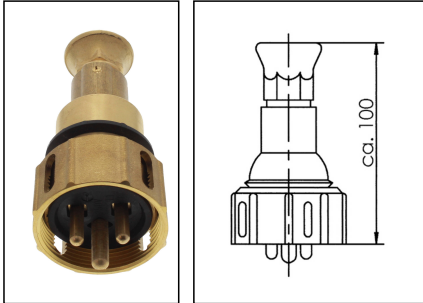


1142/V/MS/250V-1xW10

HNA plug locking type 16A 250V, brass, IP56



Products may differ in size, colour and appearance to those shown. If you require further information or customisation, please contact us directly.

WISKA-Order no.	10010695
Type	1142/V/MS/250V-1xW10
Material	Brass
Voltage	250 V
Type of Voltage	AC
Current	16 A
Protection class	IP56
Temp. range min	-25 °C
Temp. range max	45 °C
plug insert	HNA
Terminals/poles	2-pole + E
Type of cable gland	M 24 x 1,5
Ø cable diameter min	8 mm
Ø cable diameter max	10,5 mm
Type of cable	non-armoured
Norm	HNA, DIN 89267
Weight	0,54 kg
Tariff number	85366990

Spare parts

SP-137/250V HNA-Plug interior	22000383
SP-HNA Gasket	22000860
SP-GR/HNA/FS R 1 3/8" Ring nut clear	22000868

Your Contact:

WISKA Hoppmann GmbH
Kisdorfer Weg 28 · 24568 Kaltenkirchen · Germany
☎ +49-4191-508-0 · 📠 +49-4191-508-209
contact@wiska.de · www.wiska.com

23.05.2026

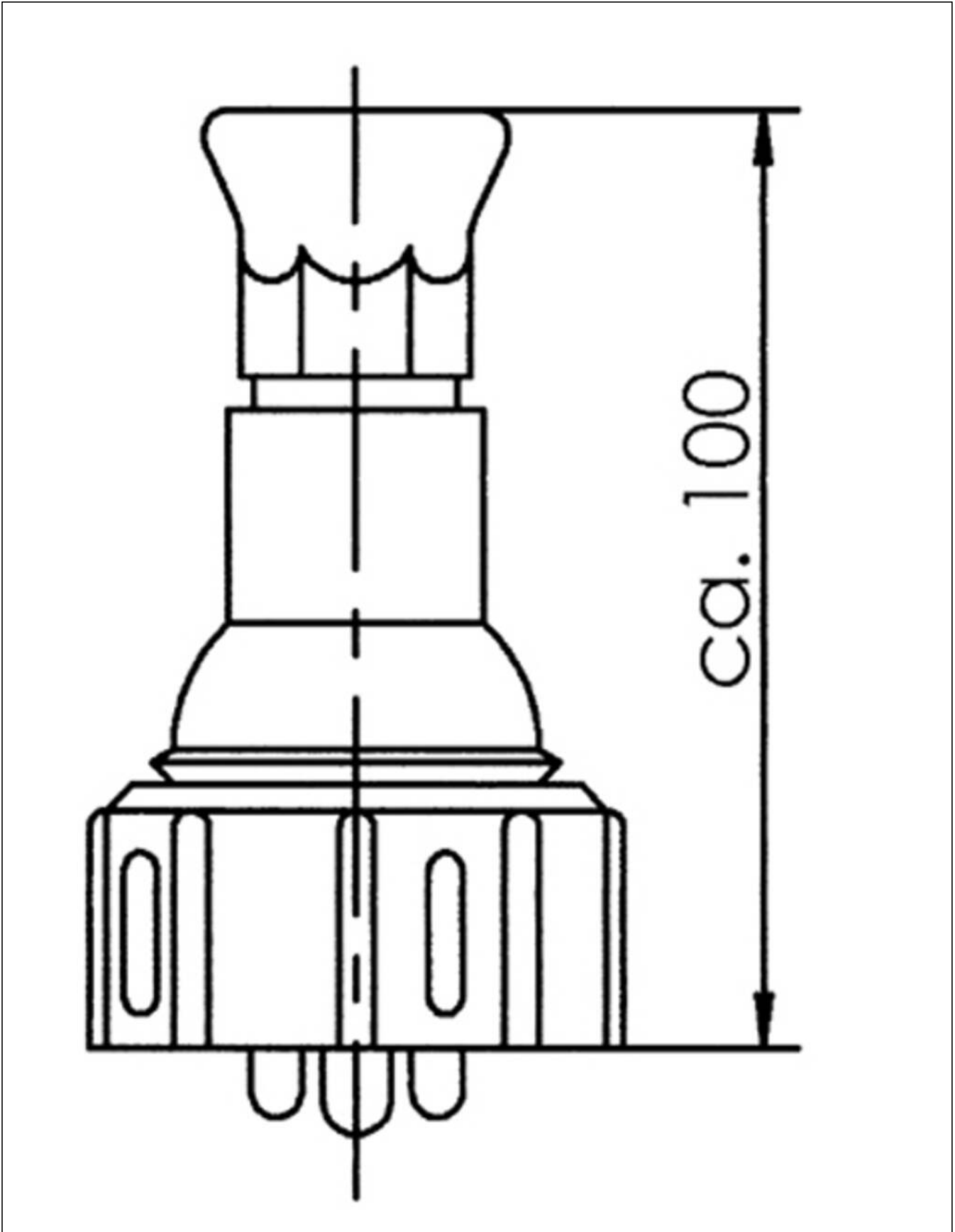
Your Contact:

WISKA Hoppmann GmbH

Kisdorfer Weg 28 · 24568 Kaltenkirchen · Germany

☎ +49-4191-508-0 · 📠 +49-4191-508-209

contact@wiska.de · www.wiska.com



Your Contact:

WISKA Hoppmann GmbH

Kisdorfer Weg 28 · 24568 Kaltenkirchen · Germany

☎ +49-4191-508-0 · 📠 +49-4191-508-209

✉ contact@wiska.de · www.wiska.com