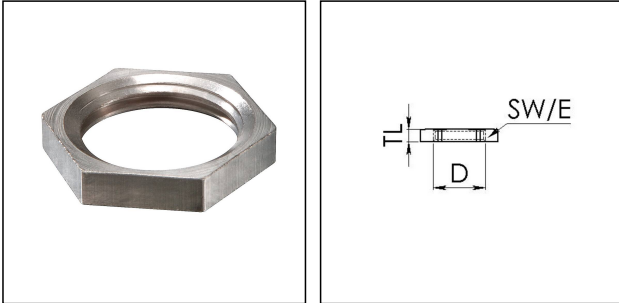


## GM 45/Ni

Locknut, brass nickel-plated, according to DIN 89280, M45



Products may differ in size, colour and appearance to those shown. If you require further information or customisation, please contact us directly.



<b>Material</b>	Brass nickel-plated
<b>Temp. range min</b>	-150 °C
<b>Temp. range max</b>	250 °C
<b>Thread type</b>	M
<b>Ø Connection thread D</b>	45
<b>Lead</b>	2
<b>Key width SW</b>	55 mm
<b>Collar diameter (E)</b>	64 mm
<b>Total length TL</b>	8 mm
<b>Surface</b>	Nickel-plated
<b>Order no. nickel-plated</b>	10011559
<b>Type</b>	GM 45/Ni
<b>Packing unit</b>	1
<b>ETIM-Classification</b>	EC000940

23.05.2026

Your Contact:

**WISKA Hoppmann GmbH**

Kisdorfer Weg 28 · 24568 Kaltenkirchen · Germany

☎ +49-4191-508-0 · 📠 +49-4191-508-209

contact@wiska.de · www.wiska.com



Your Contact:

**WISKA Hoppmann GmbH**

Kisdorfer Weg 28 · 24568 Kaltenkirchen · Germany

☎ +49-4191-508-0 · 📠 +49-4191-508-209

contact@wiska.de · www.wiska.com