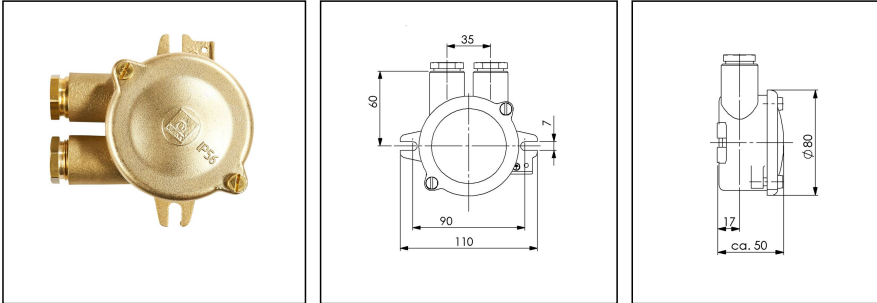



1150-2xW10A

HNA Junction box, brass



Products may differ in size, colour and appearance to those shown. If you require further information or customisation, please contact us directly.

| | |
|----------------------------------|---|
| WISKA-Order no. | 10011669 |
| Type | 1150-2xW10A |
| Voltage | 500 V |
| Current | 16 A |
| Protection class | IP56 |
| Material | Brass |
| Material cable gland | Brass |
| Using for cable gland |  |
| Type of cable | non-armoured |
| Ø cable diameter min | 8 mm |
| Ø cable diameter max | 10,5 mm |
| Type of cable gland | M 24 x 1,5 |
| External dimensions LxWxH | 110x100x50mm |
| Mounting | Surface mounting |
| Temp. range min | -25 °C |
| Temp. range max | 45 °C |
| Rated cross section | 2,5 mm ² |
| Equipment | Clamp |
| Terminals/poles | 4-pole, 2,5 mm ² |
| Operational areas | Indoor work space, Outdoor, Engine room |
| Norm | DIN 89250 |
| Weight | 0,76 kg |
| Variations | on request |
| Tariff number | 85369010 |

Your Contact:

WISKA Hoppmann GmbH

Kisdorfer Weg 28 · 24568 Kaltenkirchen · Germany

 +49-4191-508-0 ·  +49-4191-508-209

contact@wiska.de · www.wiska.com

Spare parts

| | |
|--------------------------------|----------|
| SP-181/4 Terminal block | 22000352 |
| SP-HNA Cover sealing | 22000838 |

23.05.2026

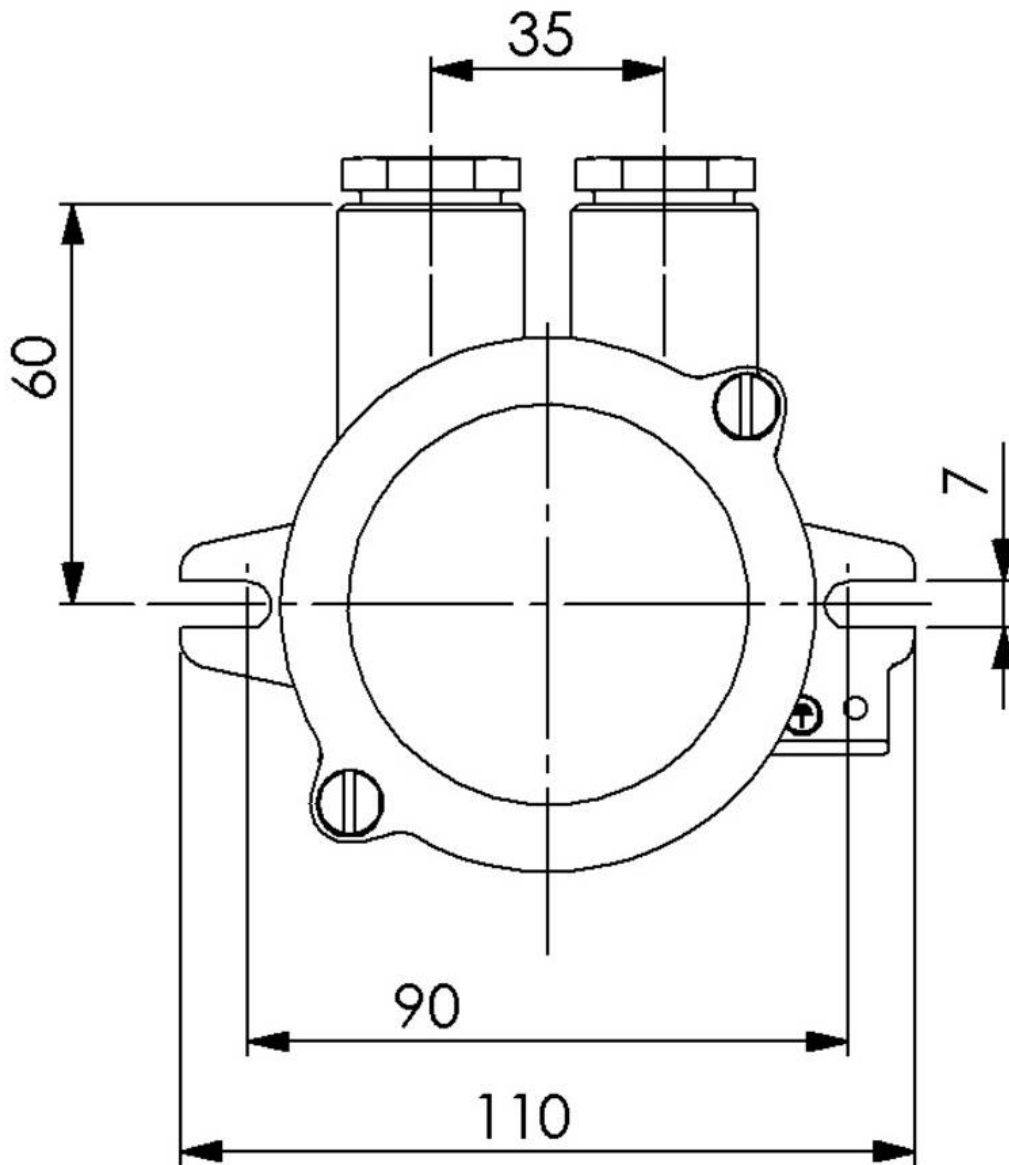
Your Contact:

WISKA Hoppmann GmbH

Kisdorfer Weg 28 · 24568 Kaltenkirchen · Germany

☎ +49-4191-508-0 · 📠 +49-4191-508-209

contact@wiska.de · www.wiska.com



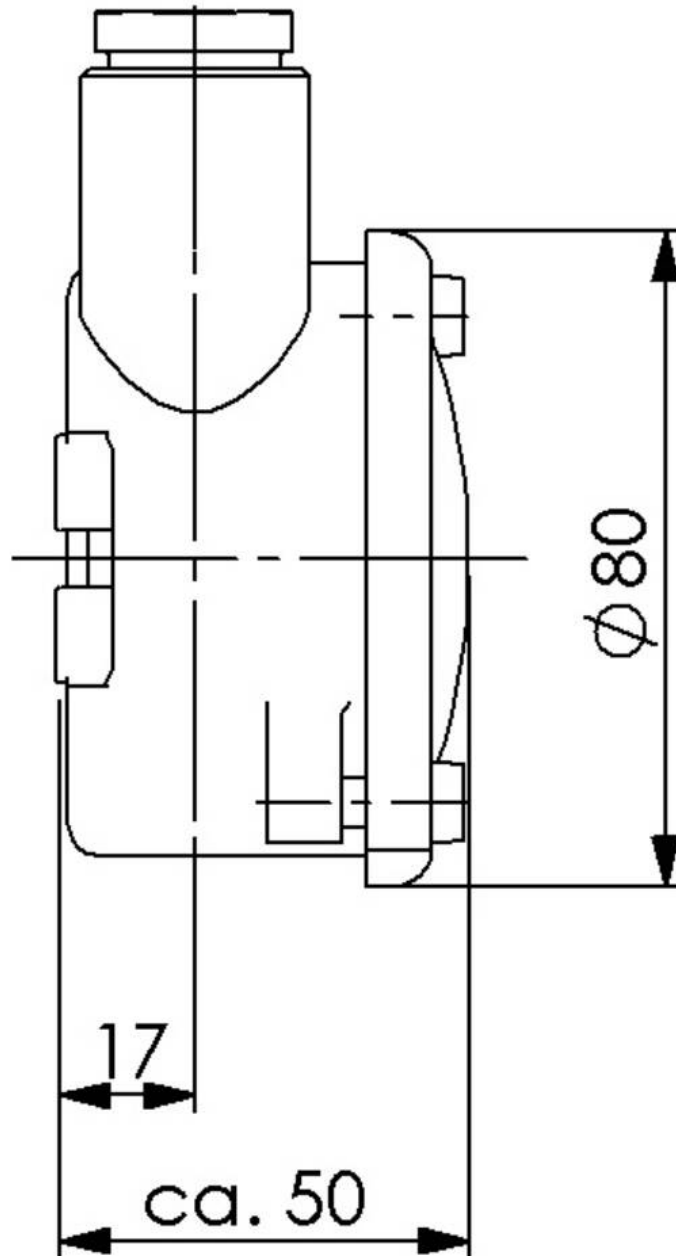
Your Contact:

WISKA Hoppmann GmbH

Kisdorfer Weg 28 · 24568 Kaltenkirchen · Germany

☎ +49-4191-508-0 · 📠 +49-4191-508-209

contact@wiska.de · www.wiska.com



Your Contact:

WISKA Hoppmann GmbH

Kisdorfer Weg 28 · 24568 Kaltenkirchen · Germany

☎ +49-4191-508-0 · 📠 +49-4191-508-209

contact@wiska.de · www.wiska.com