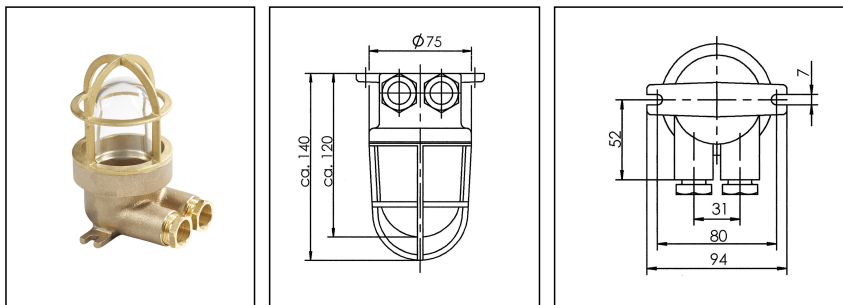



## 1017/2/gK/clear/oT/1985-2xZ14

HNA standard light small with cast guard, max. 25W B15d, brass, glass clear IP56



Products may differ in size, colour and appearance to those shown. If you require further information or customisation, please contact us directly.



<b>WISKA-Order no.</b>	10012837
<b>Type</b>	1017/2/gK/clear/oT/1985-2xZ14
<b>Material</b>	Brass
<b>Material globe/diffuser</b>	Glass
<b>Globe colour</b>	Clear
<b>Material guard</b>	Brass
<b>Power<sup>^</sup></b>	1 x 25 W
<b>Wattage</b>	25 W
<b>Voltage</b>	230 V
<b>Type of Voltage</b>	AC
<b>Protection class</b>	IP56
<b>Temp. range min</b>	-40 °C
<b>Temp. range max</b>	45 °C
<b>Lampholder</b>	B15d
<b>Number of lampholder</b>	1 ST
<b>Lightsource</b>	Incandescent lamp, variable (B15)
<b>Lightsource incl.</b>	No
<b>Bulb shape</b>	Rod shaped
<b>Type of cable gland</b>	M24x1,5 Z 14 / 12-14,5mm
<b>Material cable gland</b>	Brass
<b>Using for cable gland</b>	
<b>Type of cable</b>	armoured
<b>Ø cable diameter min</b>	12 mm
<b>Ø cable diameter max</b>	14,5 mm
<b>Mounting</b>	Surface mounting, Upside down, Ceiling

Your Contact:

WISKA Hoppmann GmbH

Kisdorfer Weg 28 · 24568 Kaltenkirchen · Germany

☎ +49-4191-508-0 · 📠 +49-4191-508-209

contact@wiska.de · www.wiska.com

<b>Equipment</b>	without drope hole
<b>External dimensions LxWxH</b>	140x94mm
<b>Weight</b>	0,94 kg
<b>Approval</b>	DNV-GL, RMRS
<b>Tariff number</b>	94051990

## Recommended accessories

<b>SP-1160 Wall bracket 60mm</b>	22000351
----------------------------------	----------

## Spare parts

<b>SP-1990/oT/clear</b>	22000297
<b>SP-gK 1017 Cast guard</b>	22000300
<b>SP-1985 Lampholder B15d, 1017</b>	22001062

23.05.2026

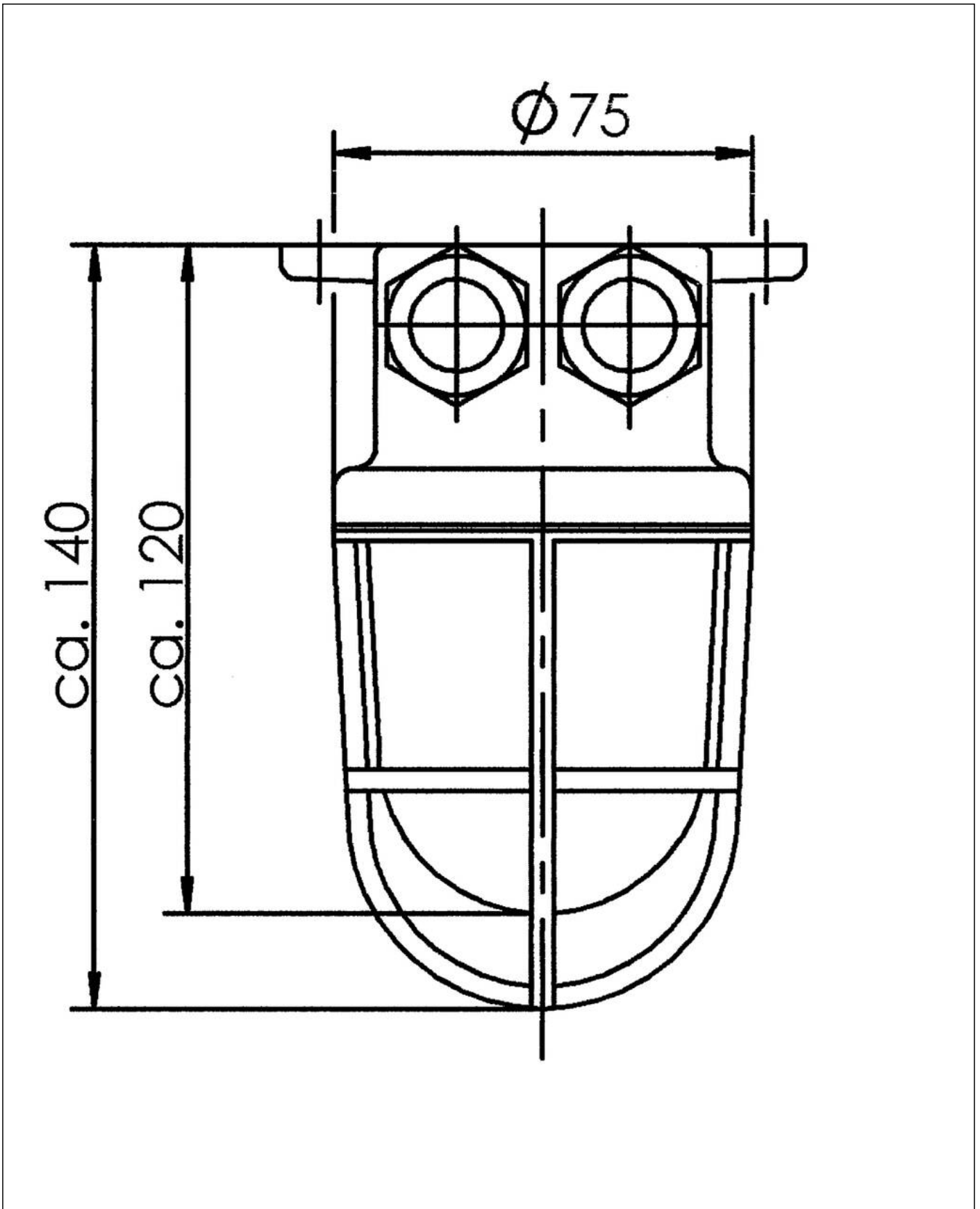
Your Contact:

**WISKA Hoppmann GmbH**

Kisdorfer Weg 28 · 24568 Kaltenkirchen · Germany

☎ +49-4191-508-0 · 📠 +49-4191-508-209

contact@wiska.de · www.wiska.com



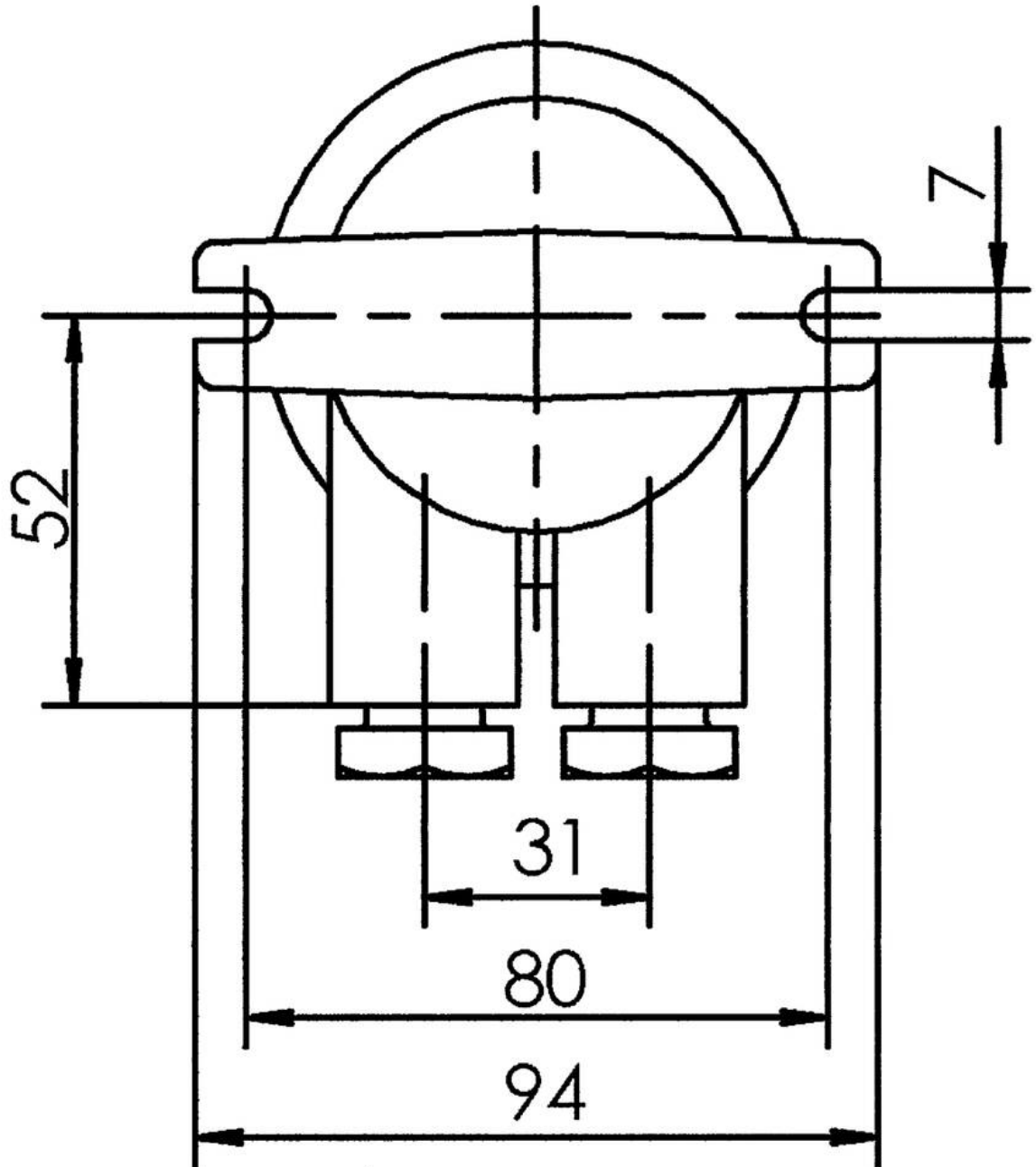
Your Contact:

**WISKA Hoppmann GmbH**

Kisdorfer Weg 28 · 24568 Kaltenkirchen · Germany

☎ +49-4191-508-0 · 📠 +49-4191-508-209

contact@wiska.de · www.wiska.com



Your Contact:

**WISKA Hoppmann GmbH**

Kisdorfer Weg 28 · 24568 Kaltenkirchen · Germany

☎ +49-4191-508-0 · 📠 +49-4191-508-209

contact@wiska.de · www.wiska.com