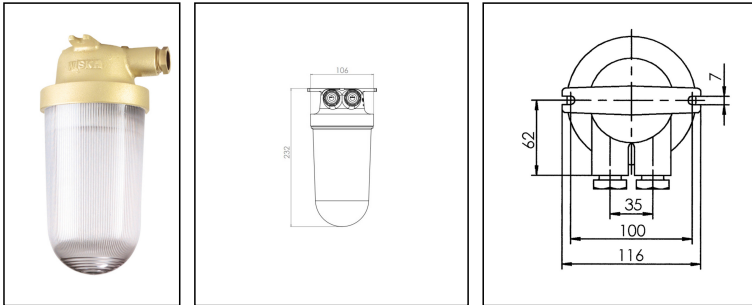



1131/2/CR/L/clear/oT/1974-2xZ14

HNA standard light max. 23W E27, brass, cover clear without dropehole, IP56



Products may differ in size, colour and appearance to those shown. If you require further information or customisation, please contact us directly.



| | |
|----------------------------------|---|
| WISKA-Order no. | 10013274 |
| Type | 1131/2/CR/L/clear/oT/1974-2xZ14 |
| Material | Brass |
| Material globe/diffuser | Polycarbonate |
| Globe colour | Clear |
| Wattage | 23 W |
| Voltage | 230 V |
| Type of Voltage | AC |
| Protection class | IP56 |
| Temp. range min | -25 °C |
| Temp. range max | 45 °C |
| Lampholder | E27 |
| Number of lampholder | 1 ST |
| Lightsource | variable (E27) |
| Lightsource incl. | No |
| Bulb shape | rod shaped |
| Type of cable gland | M24x1,5 Z 14 / 12-14,5mm |
| Material cable gland | Brass |
| Using for cable gland |  |
| Type of cable | armoured |
| Ø cable diameter min | 12 mm |
| Ø cable diameter max | 14,5 mm |
| Mounting | Upside down, Ceiling, Surface mounting |
| Equipment | without drope hole |
| External dimensions LxWxH | 232x116mm |

Your Contact:

WISKA Hoppmann GmbH

Kisdorfer Weg 28 · 24568 Kaltenkirchen · Germany

☎ +49-4191-508-0 · 📠 +49-4191-508-209

contact@wiska.de · www.wiska.com

| | |
|----------------------|--------------|
| Weight | 1,17 kg |
| Approval | RMRS, DNV-GL |
| Tariff number | 94051990 |

Recommended accessories

| | |
|---------------------------------------|----------|
| SP-1112 Wall bracket 12mm | 22000350 |
| SP-Vibration damper light 1131 | 22000913 |

Spare parts

| | |
|---|----------|
| SP-1931/CR/L/oT/clear | 22000203 |
| SP-1189 Anti dazzle screen | 22000534 |
| SP-1131 Gasket | 22000863 |
| SP-1974 Lampholder E27, PPS, HNA | 22001018 |

12.05.2026

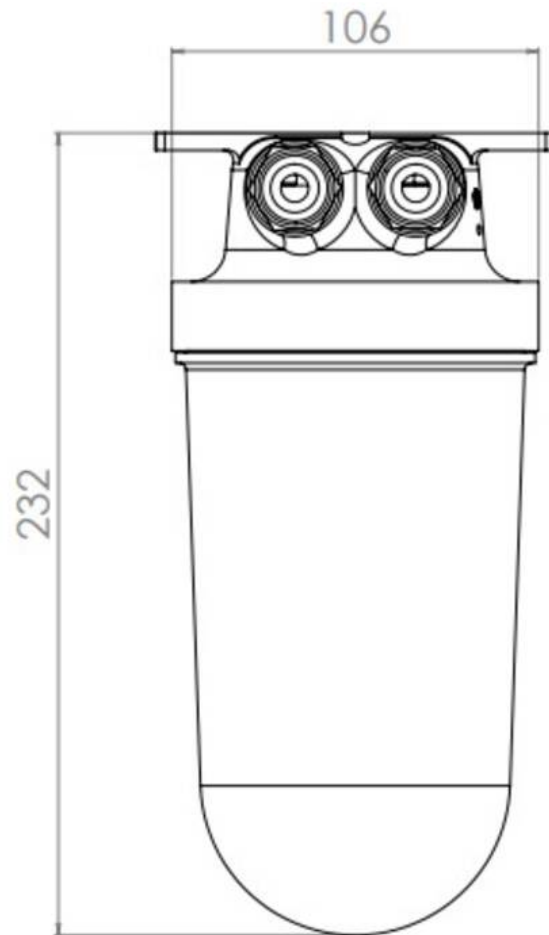
Your Contact:

WISKA Hoppmann GmbH

Kisdorfer Weg 28 · 24568 Kaltenkirchen · Germany

☎ +49-4191-508-0 · 📠 +49-4191-508-209

contact@wiska.de · www.wiska.com



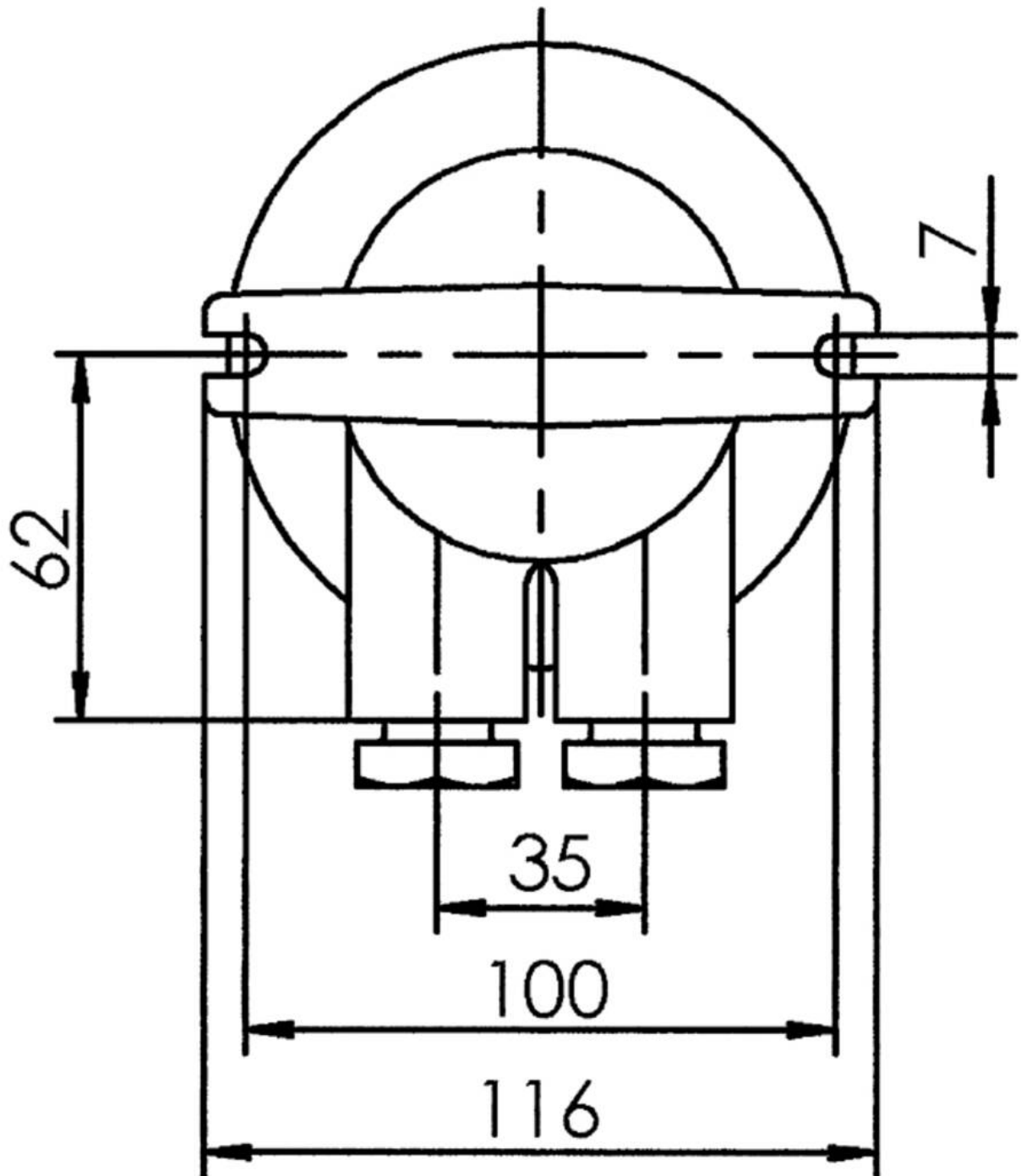
Your Contact:

WISKA Hoppmann GmbH

Kisdorfer Weg 28 · 24568 Kaltenkirchen · Germany

☎ +49-4191-508-0 · 📠 +49-4191-508-209

contact@wiska.de · www.wiska.com



Your Contact:

WISKA Hoppmann GmbH

Kisdorfer Weg 28 · 24568 Kaltenkirchen · Germany

☎ +49-4191-508-0 · 📠 +49-4191-508-209

contact@wiska.de · www.wiska.com