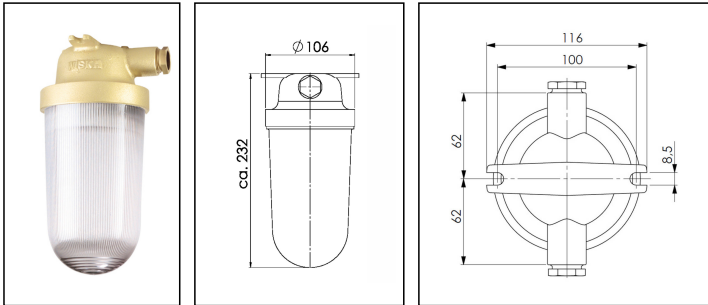



1131/D/CR/L/clear/oT/1974-2xZ14

HNA standard light max. 23W E27, brass, cover clear without dropehole, IP56



Products may differ in size, colour and appearance to those shown. If you require further information or customisation, please contact us directly.



WISKA-Order no.	10013275
Type	1131/D/CR/L/clear/oT/1974-2xZ14
Material	Brass
Material globe/diffuser	Polycarbonate
Globe colour	Clear
Wattage	23 W
Voltage	230 V
Type of Voltage	AC
Protection class	IP56
Temp. range min	-25 °C
Temp. range max	45 °C
Lampholder	E27
Number of lampholder	1 ST
Lightsource	variable (E27)
Lightsource incl.	No
Bulb shape	rod shaped
Type of cable gland	M24x1,5 Z 14 / 12-14,5mm
Material cable gland	Brass
Using for cable gland	
Type of cable	armoured
Ø cable diameter min	12 mm
Ø cable diameter max	14,5 mm
Mounting	Ceiling, Upside down, Surface mounting
Equipment	without drope hole
External dimensions LxWxH	232x116mm

Your Contact:

WISKA Hoppmann GmbH

Kisdorfer Weg 28 · 24568 Kaltenkirchen · Germany

☎ +49-4191-508-0 · 📠 +49-4191-508-209

contact@wiska.de · www.wiska.com

Weight	1,08 kg
Approval	DNV-GL, RMRS
Tariff number	94051990

Recommended accessories

SP-1112 Wall bracket 12mm	22000350
SP-Vibration damper light 1131	22000913

Spare parts

SP-1931/CR/L/oT/clear	22000203
SP-1189 Anti dazzle screen	22000534
SP-1131 Gasket	22000863
SP-1974 Lampholder E27, PPS, HNA	22001018

12.05.2026

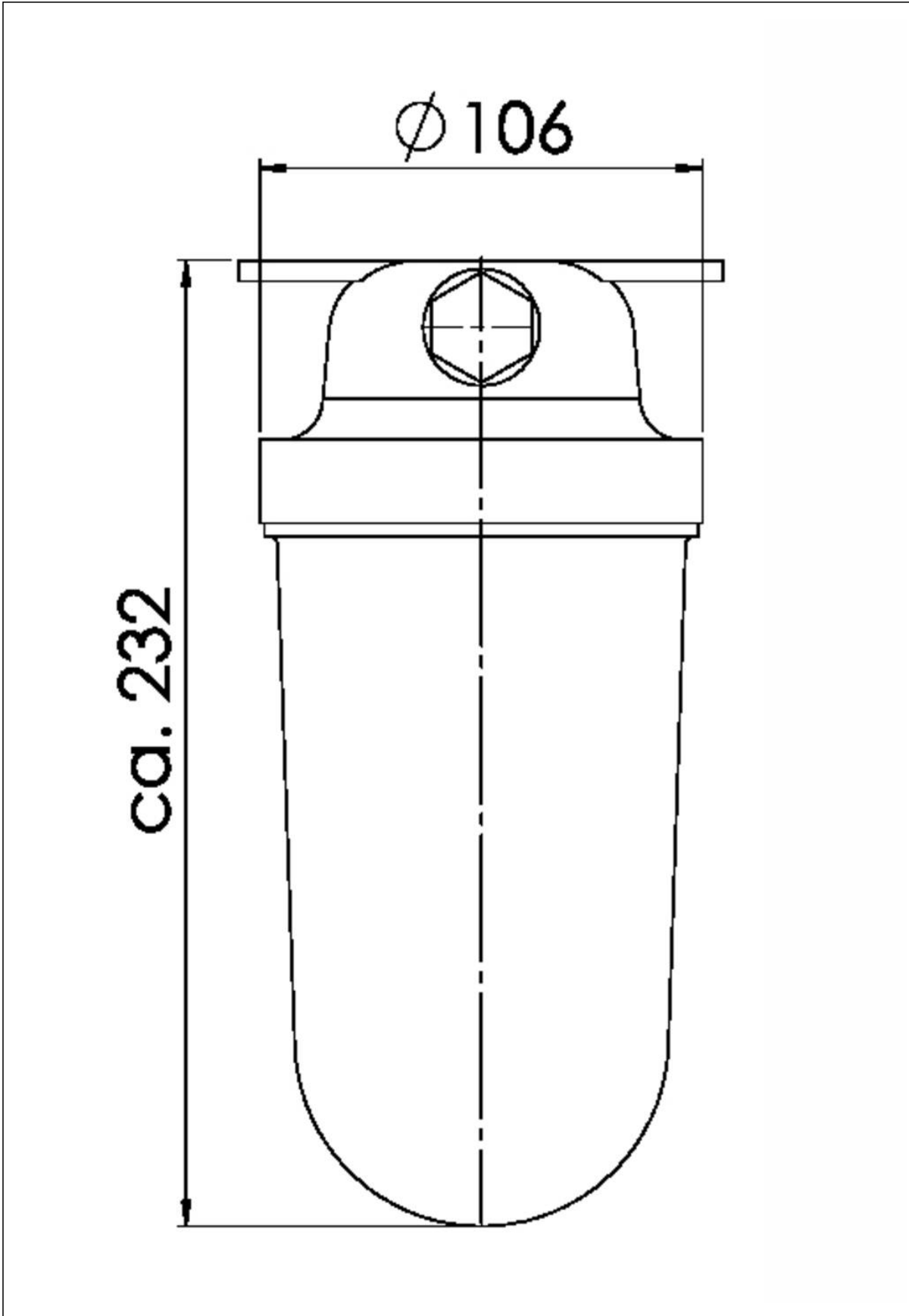
Your Contact:

WISKA Hoppmann GmbH

Kisdorfer Weg 28 · 24568 Kaltenkirchen · Germany

☎ +49-4191-508-0 · 📠 +49-4191-508-209

contact@wiska.de · www.wiska.com



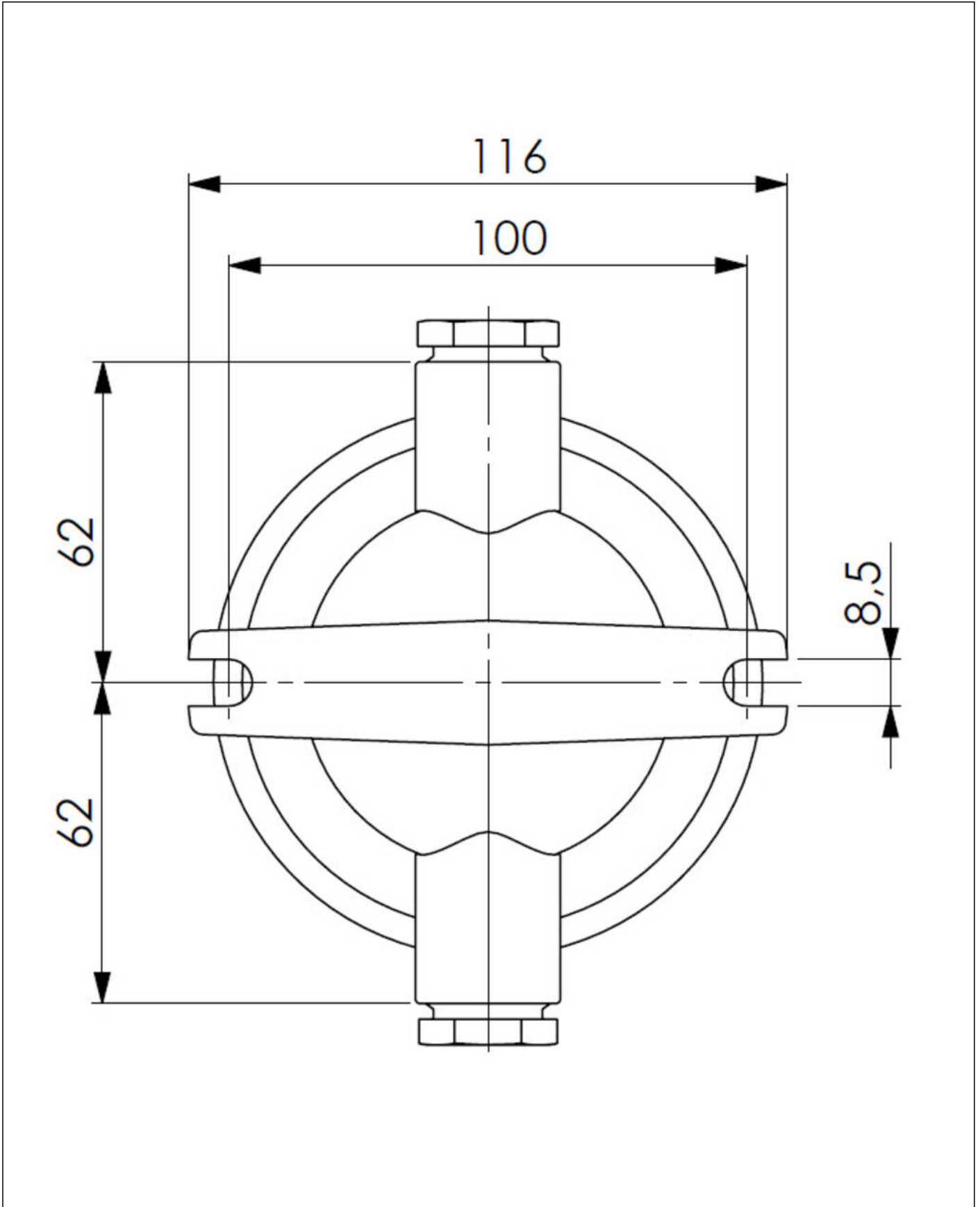
Your Contact:

WISKA Hoppmann GmbH

Kisdorfer Weg 28 · 24568 Kaltenkirchen · Germany

☎ +49-4191-508-0 · 📠 +49-4191-508-209

contact@wiska.de · www.wiska.com



Your Contact:

WISKA Hoppmann GmbH

Kisdorfer Weg 28 · 24568 Kaltenkirchen · Germany

☎ +49-4191-508-0 · 📠 +49-4191-508-209

contact@wiska.de · www.wiska.com