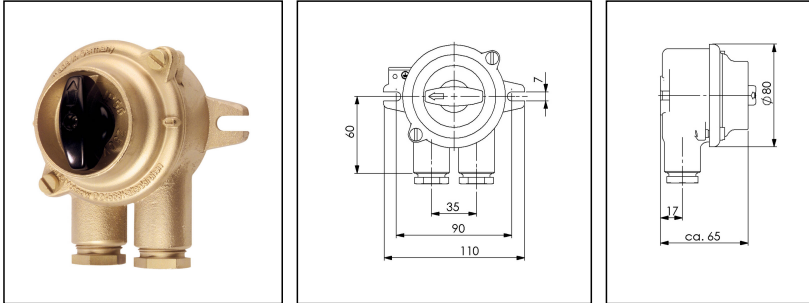


## 1133/2/P/10A-2xW12

HNA Switch 10A, brass, IP56



Products may differ in size, colour and appearance to those shown. If you require further information or customisation, please contact us directly.

<b>WISKA-Order no.</b>	10013410
<b>Type</b>	1133/2/P/10A-2xW12
<b>Voltage</b>	250 V
<b>Current</b>	10 A
<b>Protection class</b>	IP56
<b>Material</b>	Brass
<b>Material cable gland</b>	Brass
<b>Using for cable gland</b>	
<b>Type of cable gland</b>	M 24 x 1,5
<b>Ø cable diameter min</b>	10 mm
<b>Ø cable diameter max</b>	12,5 mm
<b>Type of cable</b>	non-armoured
<b>Mounting</b>	Surface mounting
<b>Temp. range min</b>	-25 °C
<b>Temp. range max</b>	45 °C
<b>Type of switch</b>	On-Off, 2-pole
<b>Norm</b>	DIN 89270
<b>Colour</b>	Black
<b>Weight</b>	0,97 kg
<b>Variations</b>	on request
<b>Tariff number</b>	85363010

### Spare parts

Your Contact:

**WISKA Hoppmann GmbH**

Kisdorfer Weg 28 · 24568 Kaltenkirchen · Germany

☎ +49-4191-508-0 · 📠 +49-4191-508-209

contact@wiska.de · www.wiska.com



<b>SP-1842 Switch interior, 2-pole, 10A</b>	22000354
<b>SP-HNA Knob 1842 - 1845</b>	22000639
<b>SP-HNA Cover sealing</b>	22000838

23.05.2026

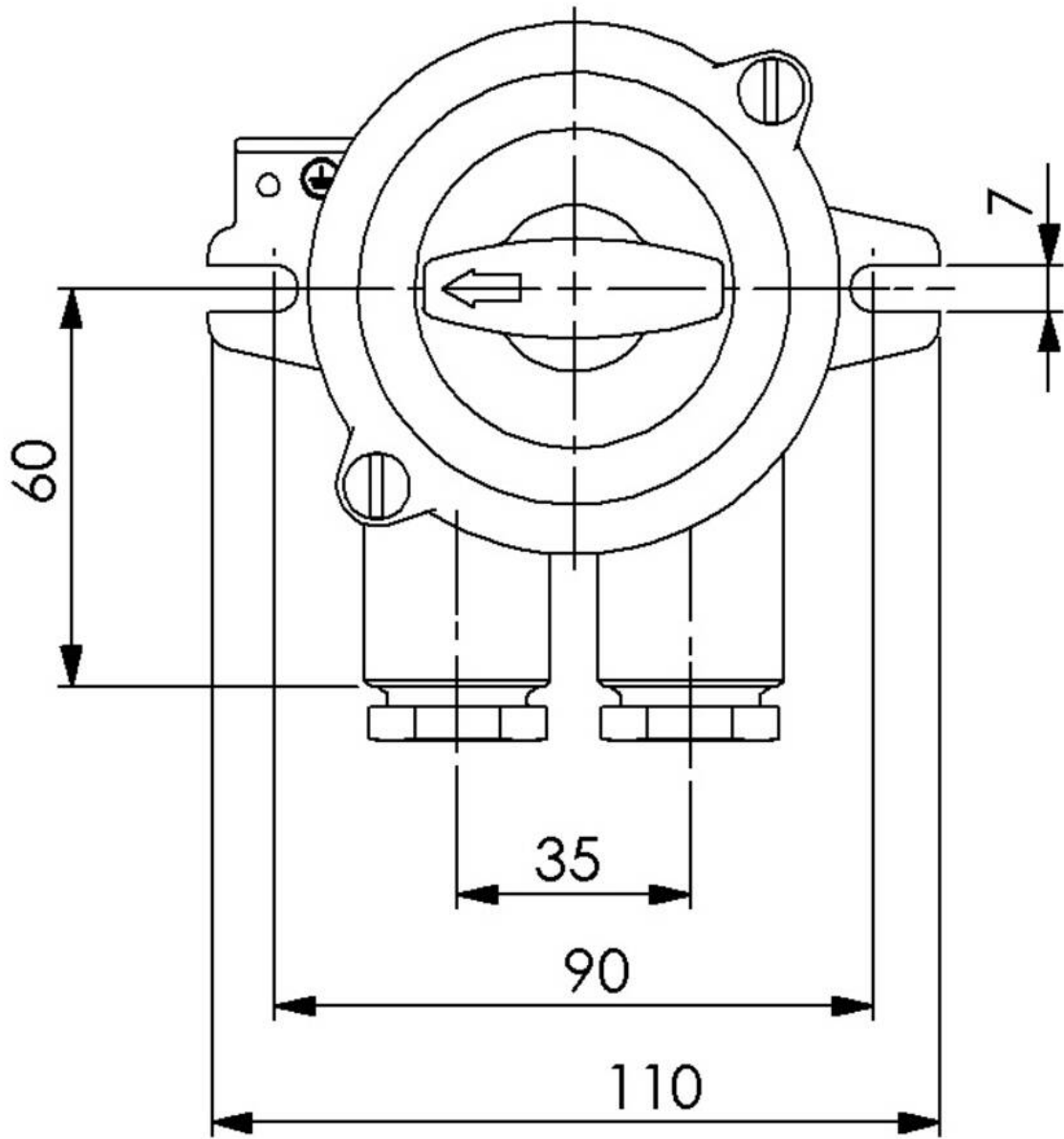
Your Contact:

**WISKA Hoppmann GmbH**

Kisdorfer Weg 28 · 24568 Kaltenkirchen · Germany

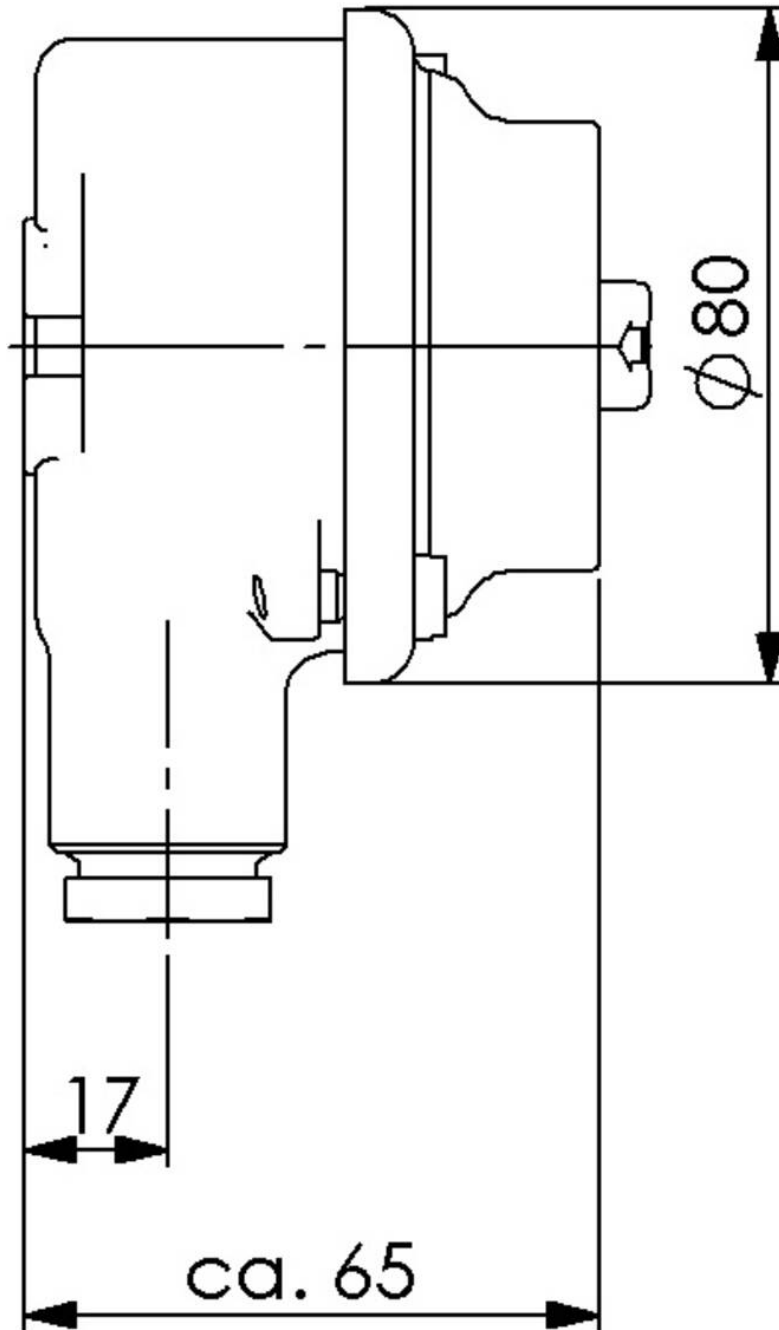
 +49-4191-508-0 ·  +49-4191-508-209

contact@wiska.de · www.wiska.com



Your Contact:  
**WISKA Hoppmann GmbH**  
Kisdorfer Weg 28 · 24568 Kaltenkirchen · Germany  
☎ +49-4191-508-0 · 📠 +49-4191-508-209  
contact@wiska.de · www.wiska.com

Other technical data on request / subject to change without notice



Your Contact:

**WISKA Hoppmann GmbH**

Kisdorfer Weg 28 · 24568 Kaltenkirchen · Germany

☎ +49-4191-508-0 · 📠 +49-4191-508-209

contact@wiska.de · www.wiska.com