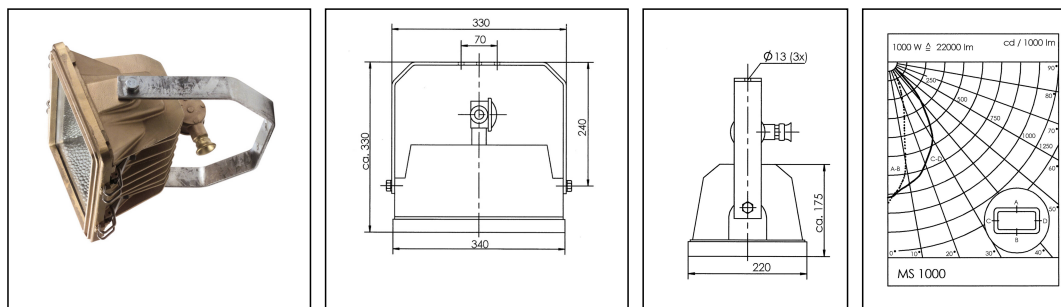



## MS 1000 Halogen floodlights

Floodlight brass for halogen lamps max. 1000W R7s IP56



Products may differ in size, colour and appearance to those shown. If you require further information or customisation, please contact us directly.

|                                  |   |
|----------------------------------|---|
| <b>WISKA-Order no.</b>           | 10013697  |
| <b>Type</b>                      | MS 1000 Halogen floodlights   |
| <b>Material</b>                  | Brass   |
| <b>Material globe/diffuser</b>   | Glass   |
| <b>Bracket Material</b>          | Stainless steel   |
| <b>Reflector</b>                 | Aluminium   |
| <b>Wattage</b>                   | 1000 W  |
| <b>Voltage</b>                   | 230 V   |
| <b>Type of Voltage</b>           | AC  |
| <b>Frequency</b>                 | 50/60 Hz  |
| <b>Protection class</b>          | IP56  |
| <b>Temp. range min</b>           | -25 °C  |
| <b>Temp. range max</b>           | 45 °C   |
| <b>Lampholder</b>                | R7s   |
| <b>Number of lampholder</b>      | 2 ST  |
| <b>Mounting</b>                  | Surface mounting, Ceiling, Upside down, Wall  |
| <b>Lightsource</b>               | Halogen lamp  |
| <b>Lightsource incl.</b>         | No  |
| <b>Type of cable gland</b>       | M24x1,5 W 10 / 8-10,5mm   |
| <b>Using for cable gland</b>     |  |
| <b>Type of cable</b>             | non-armoured  |
| <b>Ø cable diameter min</b>      | 8 mm  |
| <b>Ø cable diameter max</b>      | 10,5 mm   |
| <b>External dimensions LxWxH</b> | 340x330x220mm   |
| <b>Weight</b>                    | 13,4 kg   |

Your Contact:

WISKA Hoppmann GmbH

Kisdorfer Weg 28 · 24568 Kaltenkirchen · Germany

☎ +49-4191-508-0 · 📠 +49-4191-508-209

contact@wiska.de · www.wiska.com

**Tariff number**

94054910

Equipment:

- Heat insulating branching box

### Spare parts

|                                  |          |
|----------------------------------|----------|
| <b>SP-MS 1000 / Glass</b>        | 22000254 |
| <b>SP-1994 Lampholder R7s</b>    | 22000256 |
| <b>SP-1100/ST Terminal block</b> | 22000348 |

23.05.2026

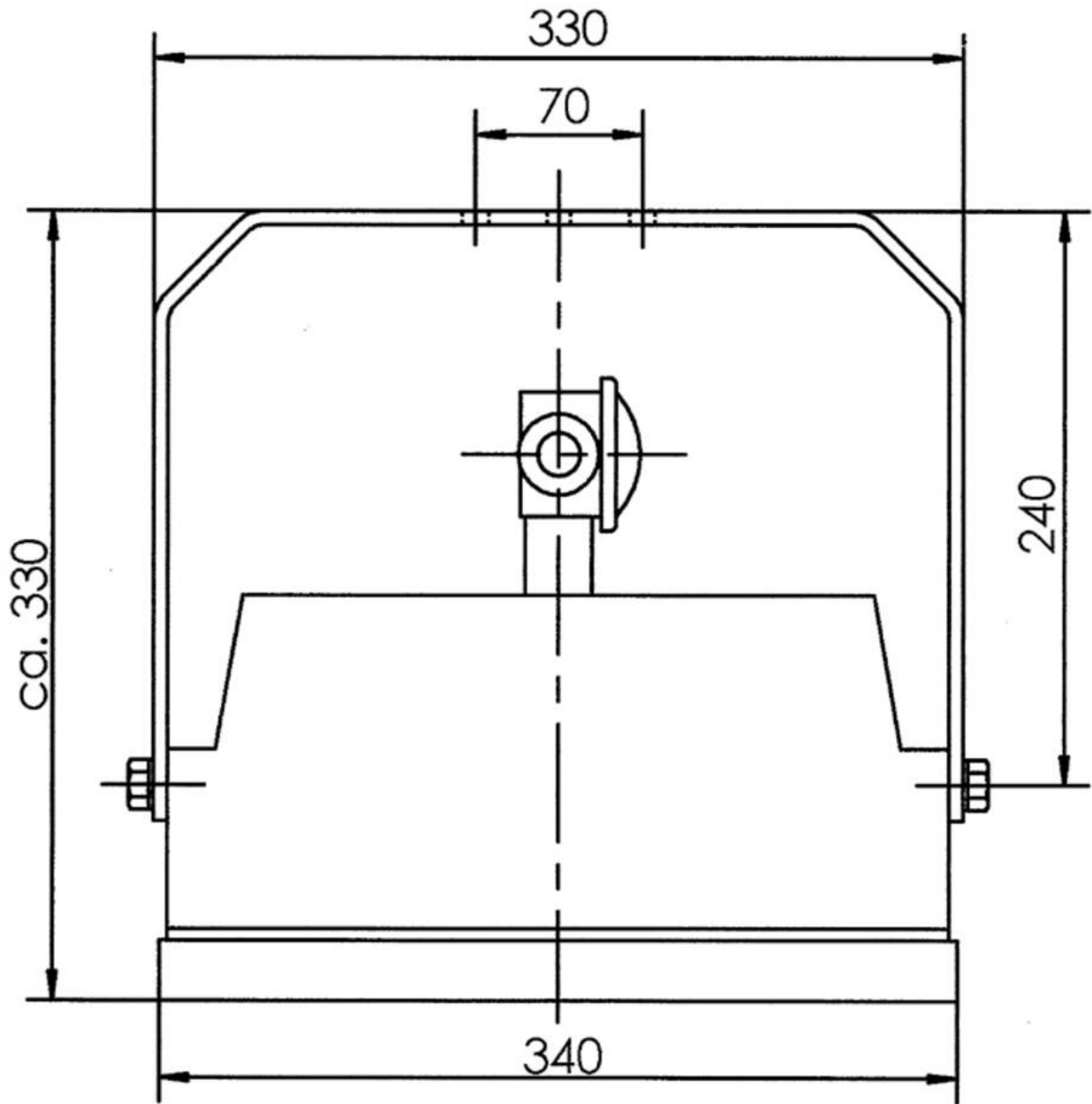
Your Contact:

**WISKA Hoppmann GmbH**

Kisdorfer Weg 28 · 24568 Kaltenkirchen · Germany

☎ +49-4191-508-0 · 📠 +49-4191-508-209

contact@wiska.de · www.wiska.com



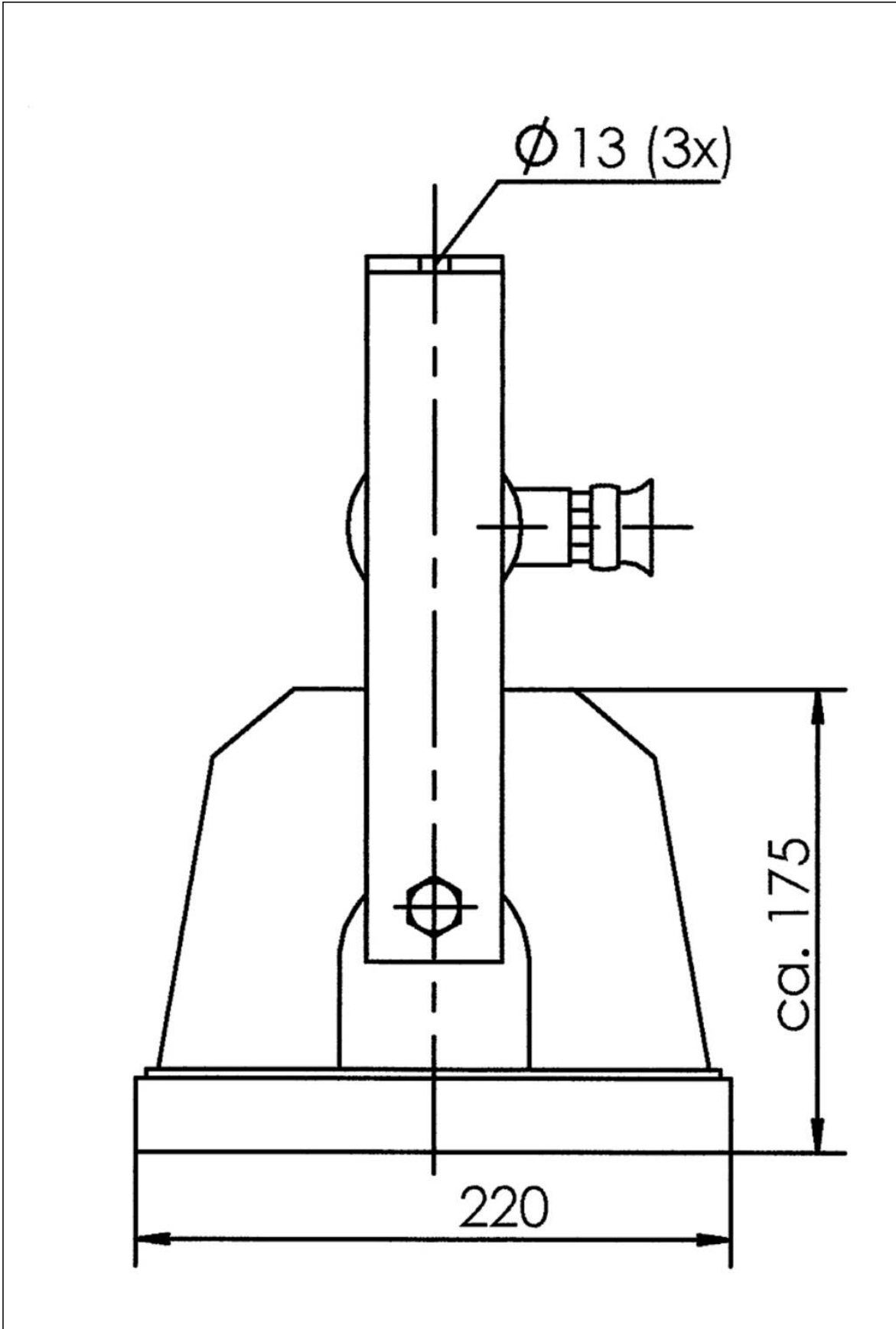
Your Contact:

**WISKA Hoppmann GmbH**

Kisdorfer Weg 28 · 24568 Kaltenkirchen · Germany

☎ +49-4191-508-0 · 📠 +49-4191-508-209

contact@wiska.de · www.wiska.com



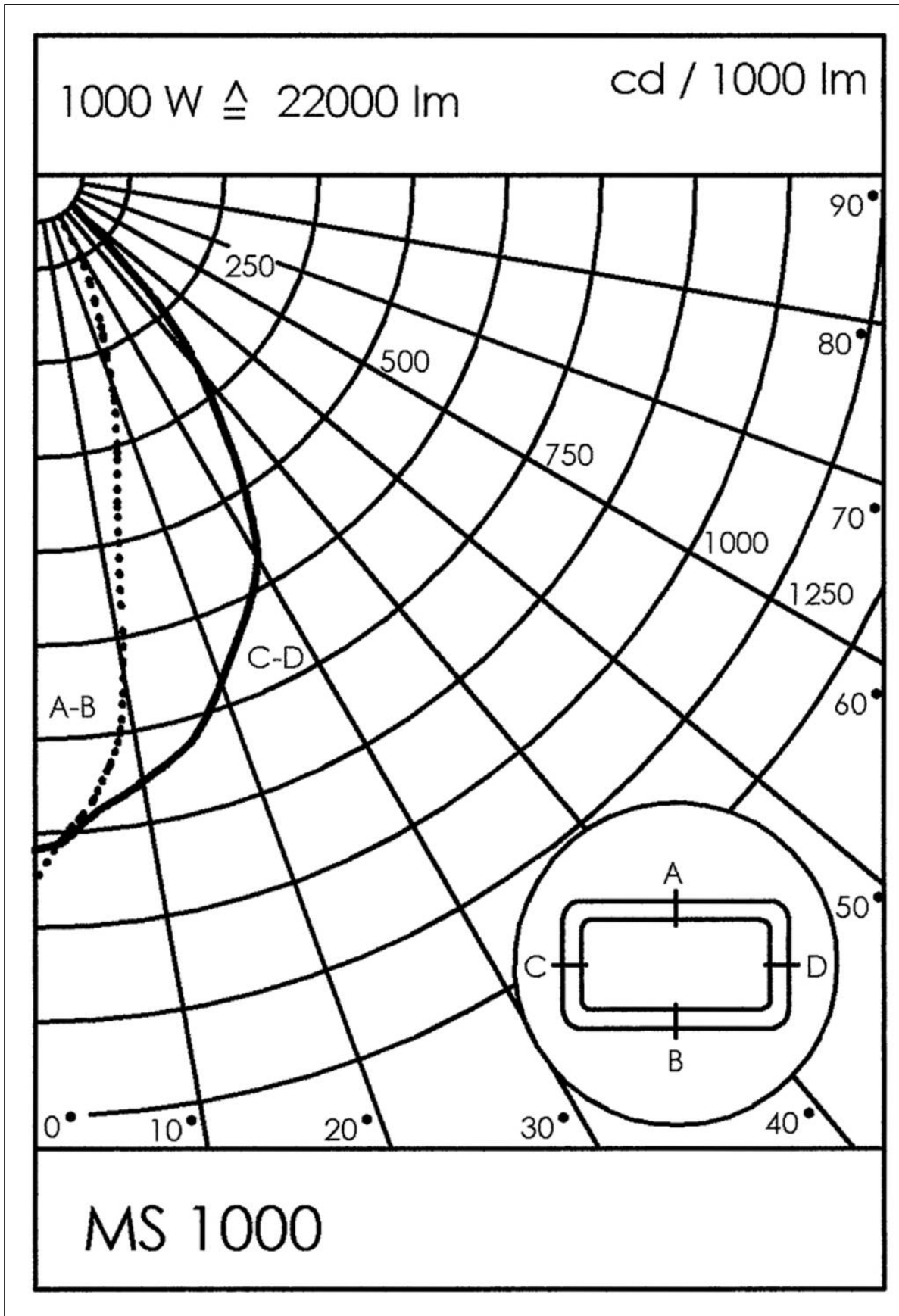
Your Contact:

**WISKA Hoppmann GmbH**

Kisdorfer Weg 28 · 24568 Kaltenkirchen · Germany

☎ +49-4191-508-0 · 📠 +49-4191-508-209

contact@wiska.de · www.wiska.com



Your Contact:

WISKA Hoppmann GmbH

Kisdorfer Weg 28 · 24568 Kaltenkirchen · Germany

☎ +49-4191-508-0 · 📠 +49-4191-508-209

contact@wiska.de · www.wiska.com