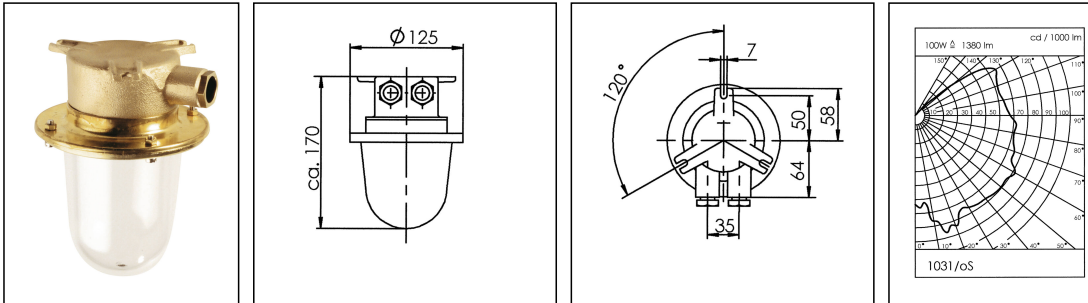


1031/oS/clear/mT/1974-1xZ14

Lower deck light, max. 100W E27, brass, glass clear, IP56



Products may differ in size, colour and appearance to those shown. If you require further information or customisation, please contact us directly.

WISKA-Order no.	10014058
Type	1031/oS/clear/mT/1974-1xZ14
Material	Brass
Material globe/diffuser	Glass
Globe colour	Clear
Wattage	100 W
Voltage	230 V
Type of Voltage	AC
Protection class	IP56
Temp. range min	-25 °C
Temp. range max	45 °C
Lampholder	E27
Number of lampholder	1 ST
Lightsource	variable (E27)
Lightsource incl.	No
Bulb shape	Rod shaped
Type of cable gland	M24x1,5 Z 14 / 12-14,5mm
Material cable gland	Brass
Using for cable gland	
Type of cable	armoured
Ø cable diameter min	12 mm
Ø cable diameter max	14,5 mm
Mounting	Surface mounting, Upside down, Ceiling
Equipment	with drope hole
External dimensions LxWxH	170x125mm

Your Contact:

WISKA Hoppmann GmbH

Kisdorfer Weg 28 · 24568 Kaltenkirchen · Germany

☎ +49-4191-508-0 · 📠 +49-4191-508-209

contact@wiska.de · www.wiska.com

Weight	1,42 kg
Tariff number	94051990

Equipment:

- above 75W incandescent lamp we recommend a branching box

Recommended accessories

SP-1160 Wall bracket 60mm	22000351
----------------------------------	----------

Spare parts

SP-1900/mT/clear	22000293
SP-1940 Flange with glass globe	22000310
SP-1974 Lampholder E27, PPS, Signal	22001019

23.05.2026

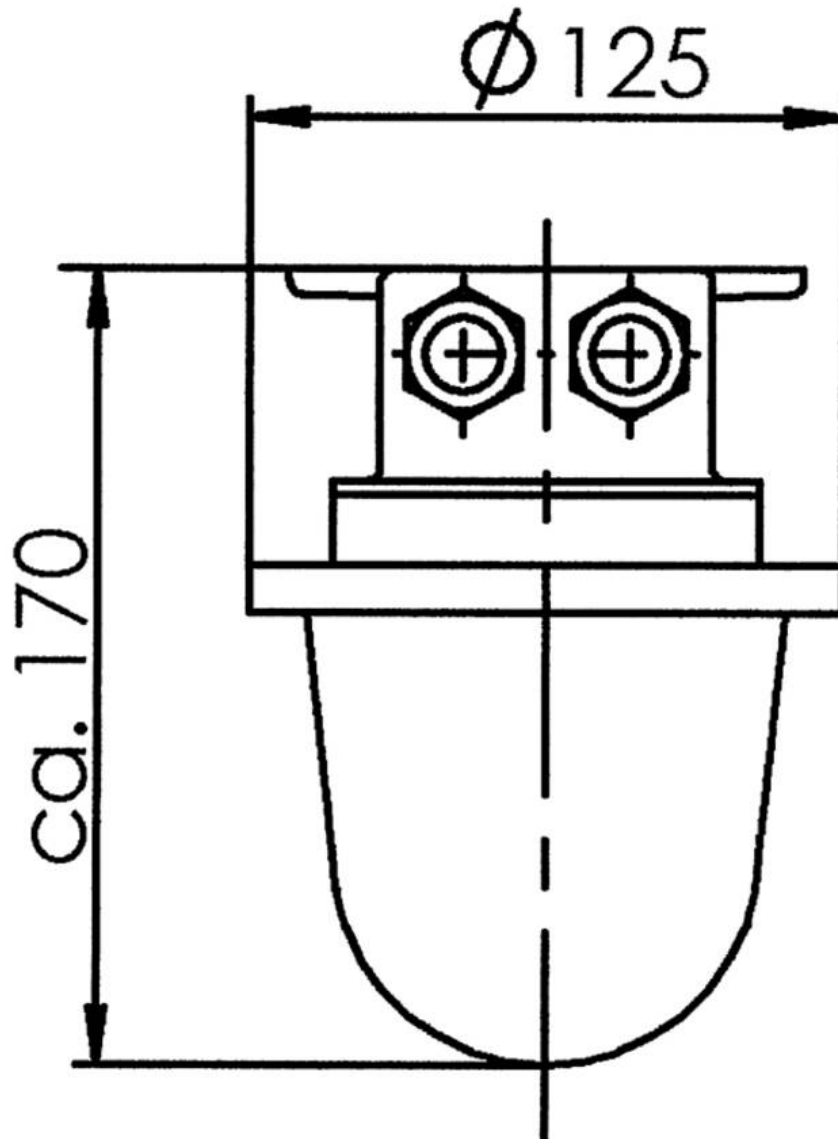
Your Contact:

WISKA Hoppmann GmbH

Kisdorfer Weg 28 · 24568 Kaltenkirchen · Germany

☎ +49-4191-508-0 · 📠 +49-4191-508-209

contact@wiska.de · www.wiska.com



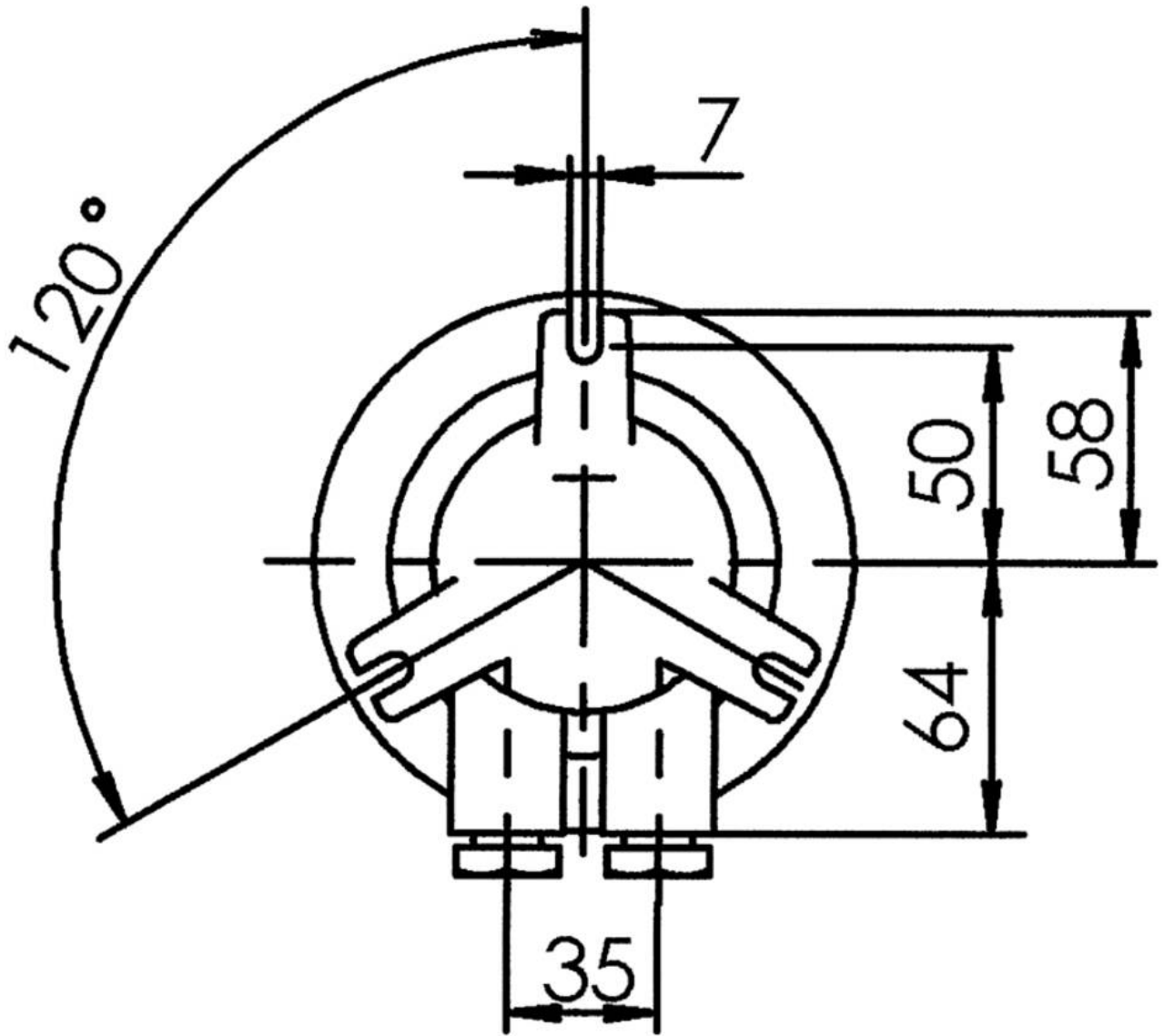
Your Contact:

WISKA Hoppmann GmbH

Kisdorfer Weg 28 · 24568 Kaltenkirchen · Germany

☎ +49-4191-508-0 · 📠 +49-4191-508-209

contact@wiska.de · www.wiska.com



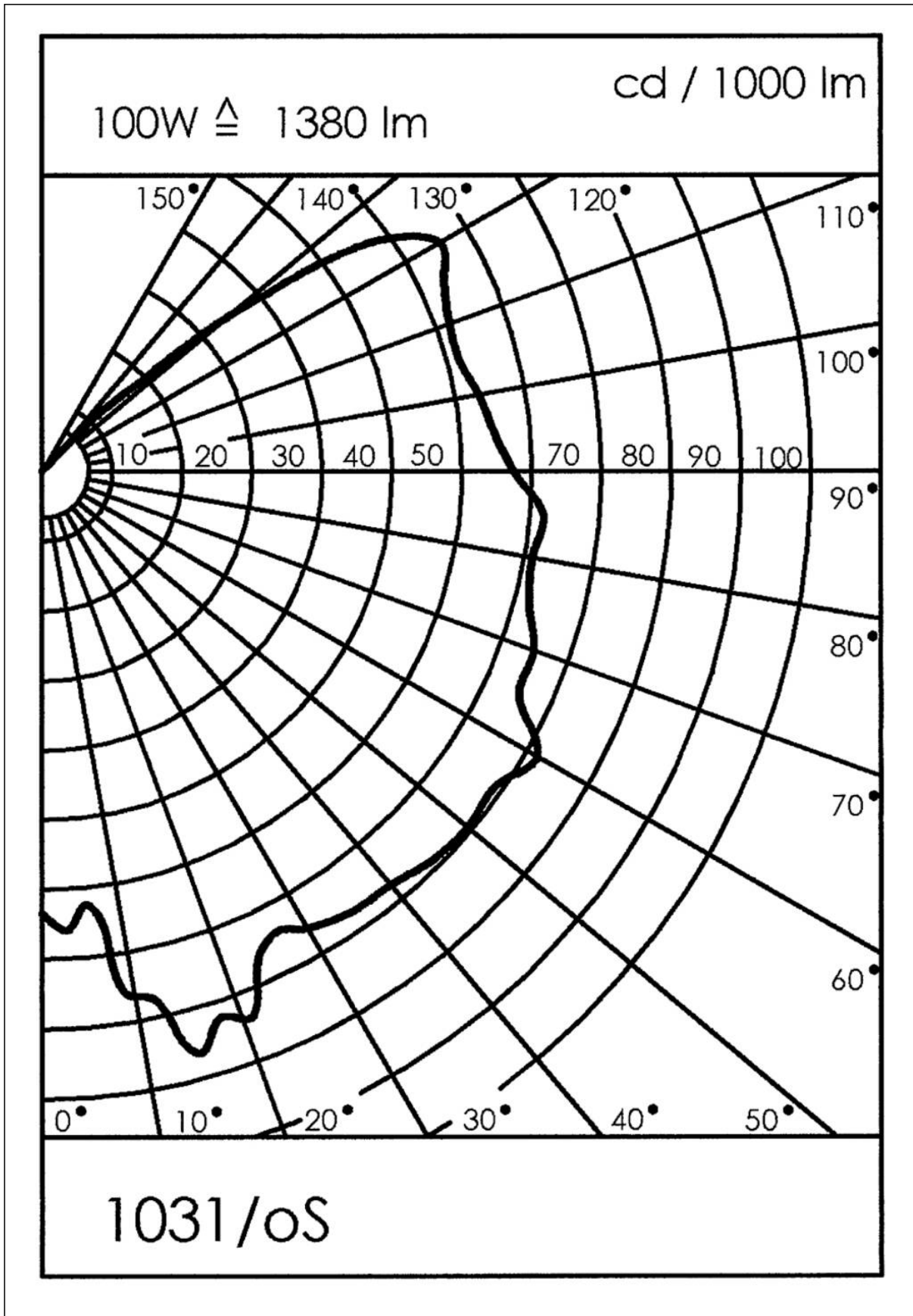
Your Contact:

WISKA Hoppmann GmbH

Kisdorfer Weg 28 · 24568 Kaltenkirchen · Germany

☎ +49-4191-508-0 · 📠 +49-4191-508-209

contact@wiska.de · www.wiska.com



Your Contact:

WISKA Hoppmann GmbH

Kisdorfer Weg 28 · 24568 Kaltenkirchen · Germany

☎ +49-4191-508-0 · 📠 +49-4191-508-209

contact@wiska.de · www.wiska.com