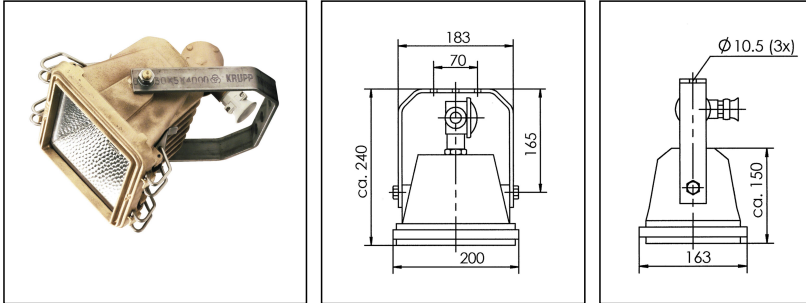
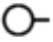


MS 500/24 Halogen floodlights

Floodlight brass for halogen lamps 2x max. 100W 24V G6,35 IP56



Products may differ in size, colour and appearance to those shown. If you require further information or customisation, please contact us directly.

WISKA-Order no.	10014517
Type	MS 500/24 Halogen floodlights
Material	Brass
Material globe/diffuser	Glass
Globe colour	Clear
Bracket Material	Stainless steel
Reflector	Aluminium
Wattage	200 W
Voltage	24 V
Type of Voltage	DC
Protection class	IP56
Temp. range min	-25 °C
Temp. range max	45 °C
Lampholder	G6,35
Number of lampholder	2 ST
Mounting	Ceiling, Wall, Upside down, Surface mounting
Lightsource	Halogen lamp
Lightsource incl.	No
Bulb shape	rod shaped
Type of cable gland	M24x1,5 W 10 / 8-10,5mm
Using for cable gland	
Type of cable	non-armoured
Ø cable diameter min	8 mm
Ø cable diameter max	10,5 mm
External dimensions LxWxH	240x200x163mm

Your Contact:

WISKA Hoppmann GmbH

Kisdorfer Weg 28 · 24568 Kaltenkirchen · Germany

☎ +49-4191-508-0 · 📠 +49-4191-508-209

contact@wiska.de · www.wiska.com

Weight	6,68 kg
Tariff number	94054910

Equipment:

- Heat insulating branching box

Spare parts

SP-MS 500 / Glass	22000244
SP-1991 Lampholder G 6,35	22000246
SP-1100/ST Terminal block	22000348

26.06.2026

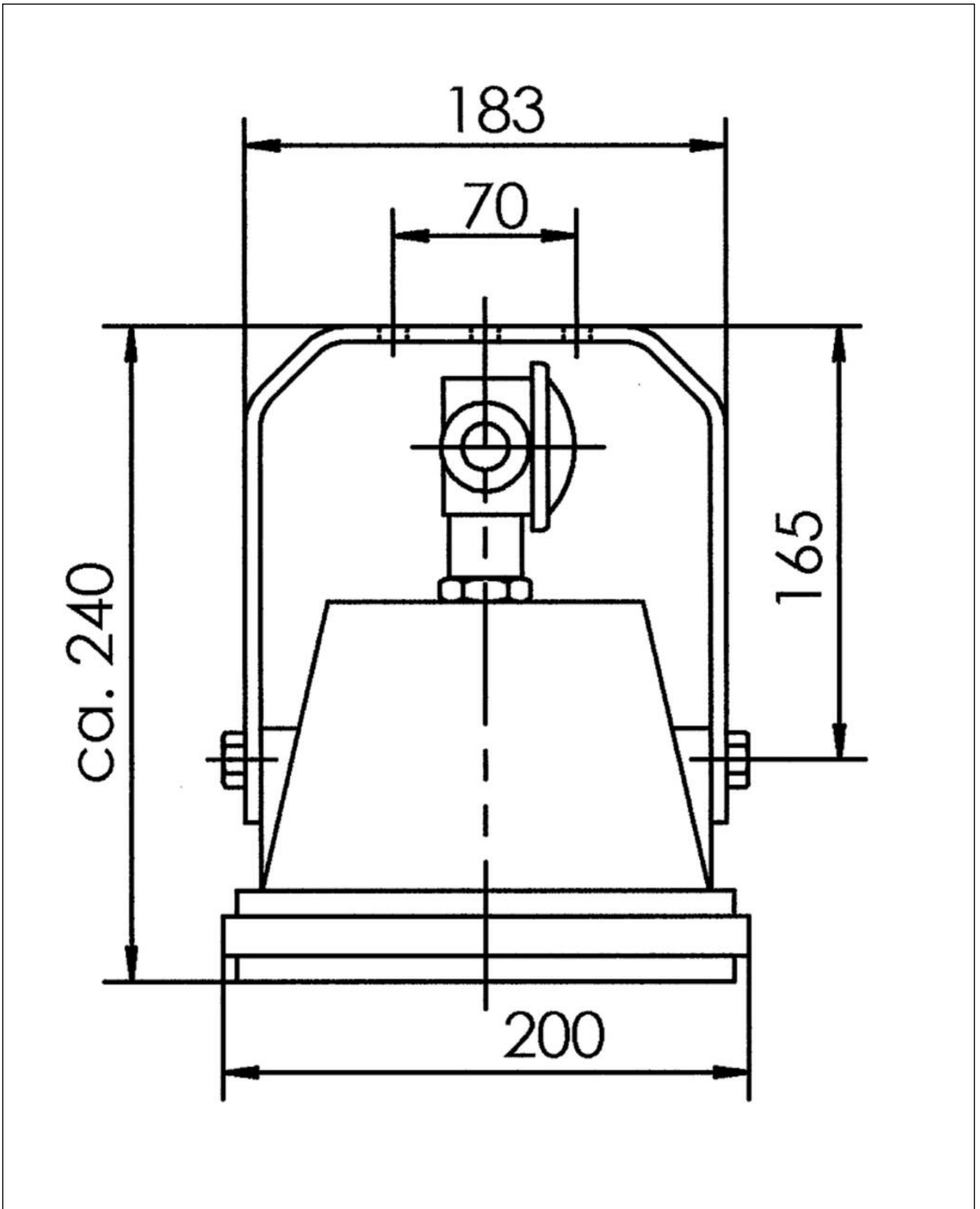
Your Contact:

WISKA Hoppmann GmbH

Kisdorfer Weg 28 · 24568 Kaltenkirchen · Germany

☎ +49-4191-508-0 · 📠 +49-4191-508-209

contact@wiska.de · www.wiska.com



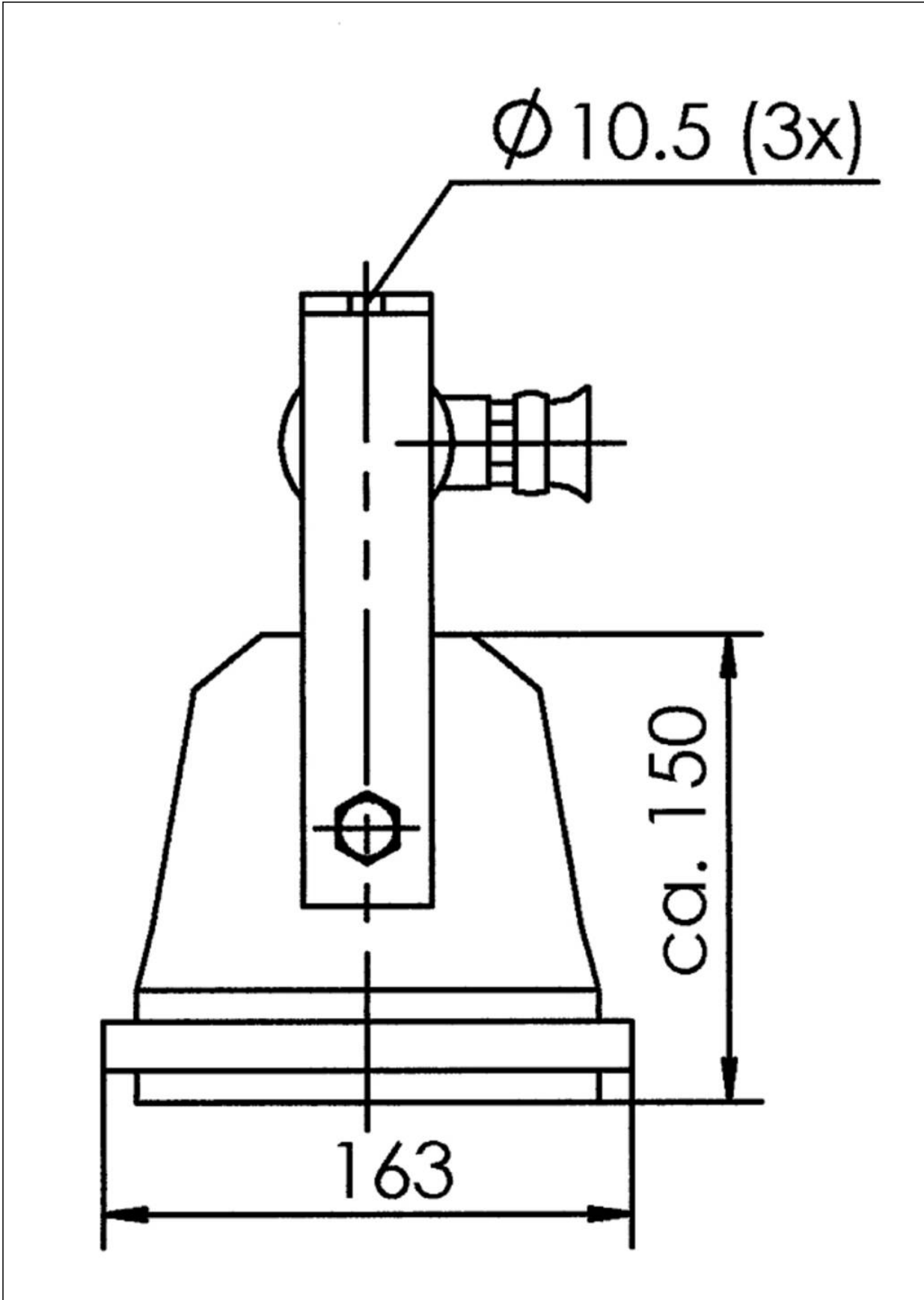
Your Contact:

WISKA Hoppmann GmbH

Kisdorfer Weg 28 · 24568 Kaltenkirchen · Germany

☎ +49-4191-508-0 · 📠 +49-4191-508-209

contact@wiska.de · www.wiska.com



Your Contact:

WISKA Hoppmann GmbH

Kisdorfer Weg 28 · 24568 Kaltenkirchen · Germany

☎ +49-4191-508-0 · 📠 +49-4191-508-209

contact@wiska.de · www.wiska.com