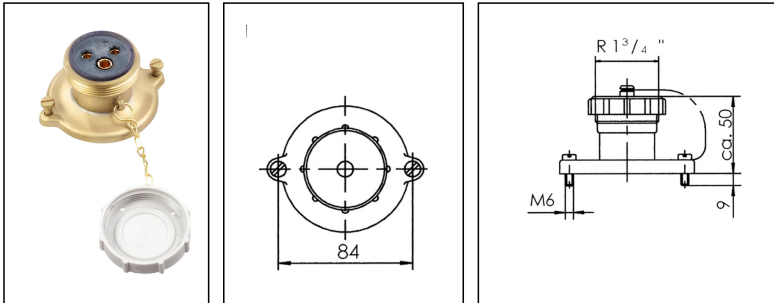


## 1148/250V

Socket for testing board 2-pole +E 250V, flush mounting, brass, IP56



Products may differ in size, colour and appearance to those shown. If you require further information or customisation, please contact us directly.

<b>WISKA-Order no.</b>	10014637
<b>Type</b>	1148/250V
<b>Voltage</b>	250 V
<b>Type of Voltage</b>	AC
<b>Current</b>	16 A
<b>Protection class</b>	IP56
<b>Material</b>	Brass
<b>Material protective cap</b>	Polyamide
<b>Socket insert</b>	HNA
<b>Terminals/poles</b>	2-pole + E
<b>Temp. range min</b>	-25 °C
<b>Temp. range max</b>	40 °C
<b>Weight</b>	0,42 kg
<b>Mounting</b>	Recessed mounting
<b>Tariff number</b>	8536690

Remarks:

socket interior: 2-pole+E,  
version 2 up to 250V, DIN 89300  
Equipment: flush mounting

### Recommended accessories

<b>1142/FS/250V-1xW10</b>	10010676
<b>1142/MS/250V-1xW10</b>	10010677

Your Contact:

**WISKA Hoppmann GmbH**  
Kisdorfer Weg 28 · 24568 Kaltenkirchen · Germany  
☎ +49-4191-508-0 · 📠 +49-4191-508-209  
contact@wiska.de · www.wiska.com

## Spare parts

<b>SP-SK/FS-HNA Screw cap</b>	22000376
<b>SP-138/250V/K/Fs HNA-Coupling interior</b>	22000384
<b>SP-HNA Cover sealing</b>	22000838
<b>SP-HNA Gasket</b>	22000860
<b>SP-GR/HNA/FS R 1 3/8" Ring nut clear</b>	22000868

23.05.2026

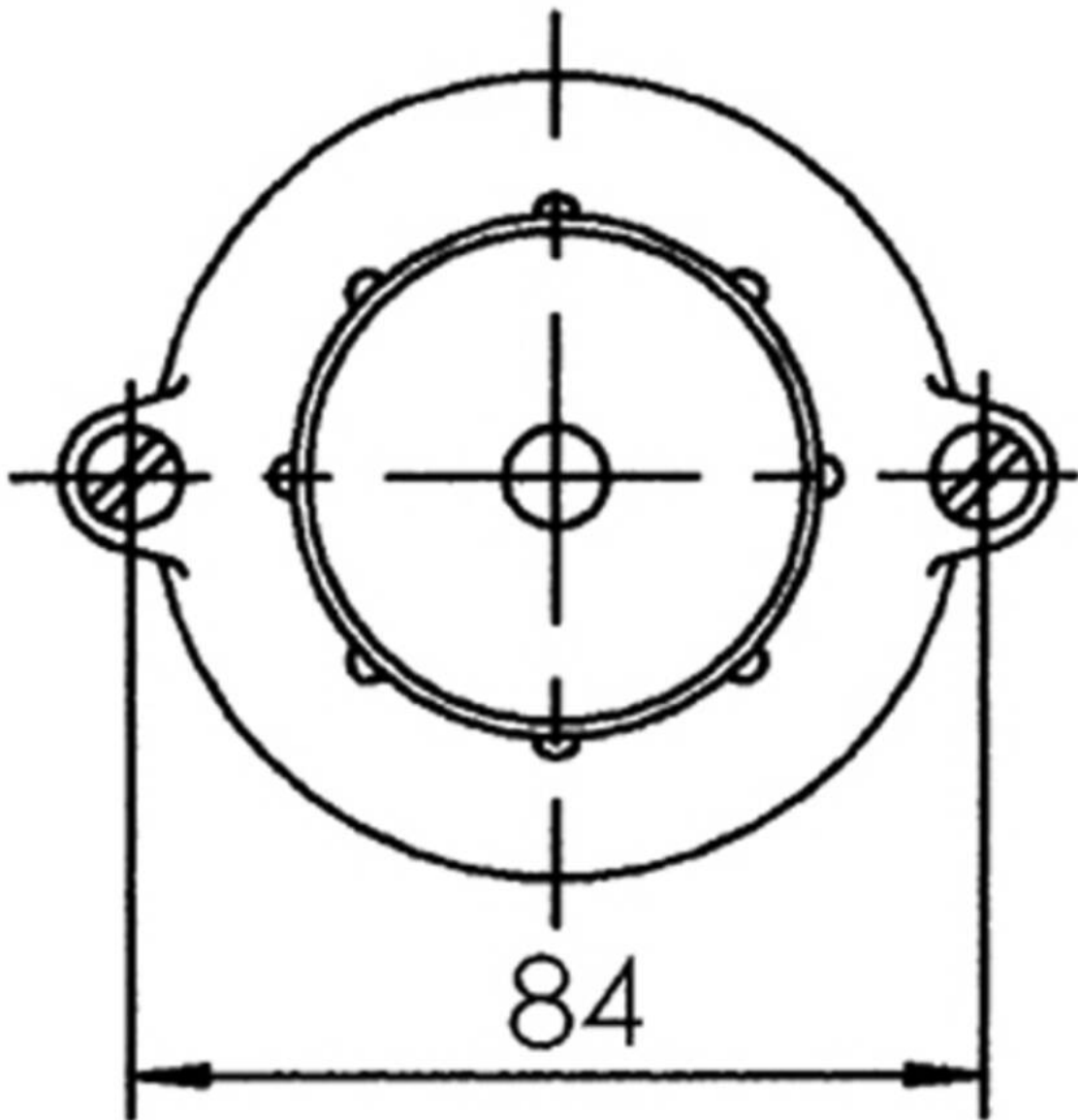
Your Contact:

**WISKA Hoppmann GmbH**

Kisdorfer Weg 28 · 24568 Kaltenkirchen · Germany

☎ +49-4191-508-0 · 📠 +49-4191-508-209

contact@wiska.de · www.wiska.com



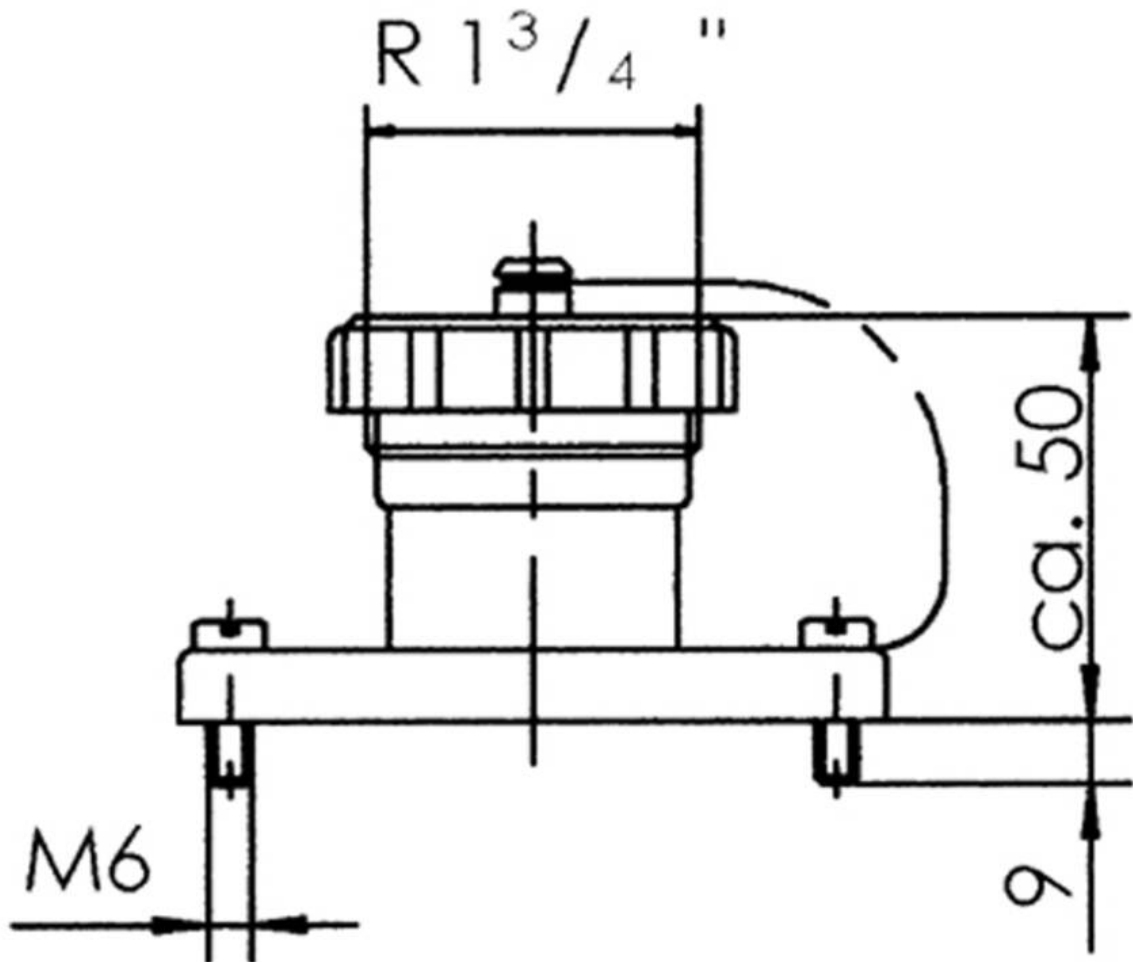
Your Contact:

**WISKA Hoppmann GmbH**

Kisdorfer Weg 28 · 24568 Kaltenkirchen · Germany

☎ +49-4191-508-0 · 📠 +49-4191-508-209

contact@wiska.de · www.wiska.com



Your Contact:

**WISKA Hoppmann GmbH**

Kisdorfer Weg 28 · 24568 Kaltenkirchen · Germany

☎ +49-4191-508-0 · 📠 +49-4191-508-209

contact@wiska.de · www.wiska.com