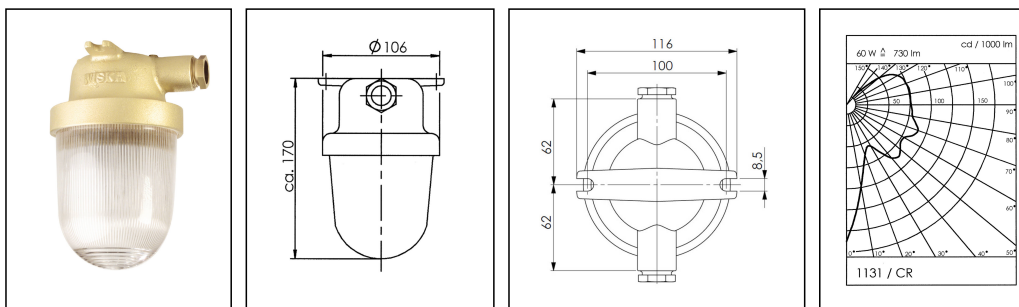


1131/D/CR/clear/mT/1975-2xZ14

HNA standard light max. 60W B22d, brass, cover clear with dropehole, IP56



Products may differ in size, colour and appearance to those shown. If you require further information or customisation, please contact us directly.



WISKA-Order no.	10014810
Type	1131/D/CR/clear/mT/1975-2xZ14
Material	Brass
Material globe/diffuser	Polycarbonate
Globe colour	Clear
Wattage	60 W
Voltage	230 V
Type of Voltage	AC
Protection class	IP56
Temp. range min	-25 °C
Temp. range max	45 °C
Lampholder	B22d
Number of lampholder	1 ST
Lightsource	variable (B22)
Lightsource incl.	No
Bulb shape	Rod shaped
Type of cable gland	M24x1,5 Z 14 / 12-14,5mm
Material cable gland	Brass
Using for cable gland	
Type of cable	armoured
Ø cable diameter min	12 mm
Ø cable diameter max	14,5 mm
Mounting	Upside down, Ceiling, Surface mounting
External dimensions LxWxH	170x116mm
Weight	0,82 kg

Your Contact:

WISKA Hoppmann GmbH

Kisdorfer Weg 28 · 24568 Kaltenkirchen · Germany

☎ +49-4191-508-0 · 📠 +49-4191-508-209

contact@wiska.de · www.wiska.com

Approval	DNV-GL, RMRS
Tariff number	94051990

Recommended accessories

SP-1112 Wall bracket 12mm	22000350
SP-Vibration damper light 1131	22000913

Spare parts

SP-1931/CR/mT/clear	22000290
SP-1189 Anti dazzle screen	22000534
SP-1131 Gasket	22000863
SP-1975 Lampholder B22d, HNA	22001038
Bulb 60W 220V B22d	50080223

23.05.2026

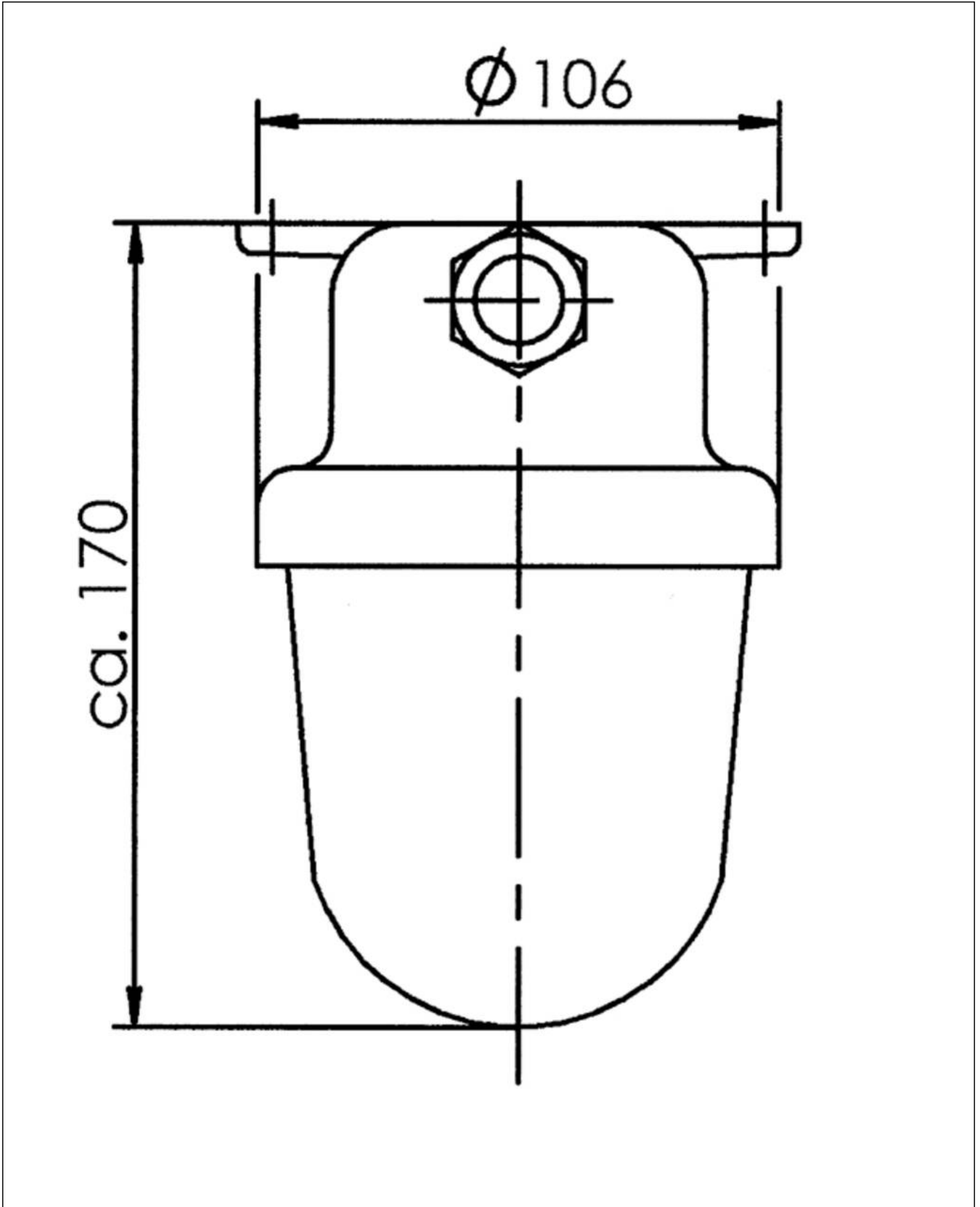
Your Contact:

WISKA Hoppmann GmbH

Kisdorfer Weg 28 · 24568 Kaltenkirchen · Germany

☎ +49-4191-508-0 · 📠 +49-4191-508-209

contact@wiska.de · www.wiska.com



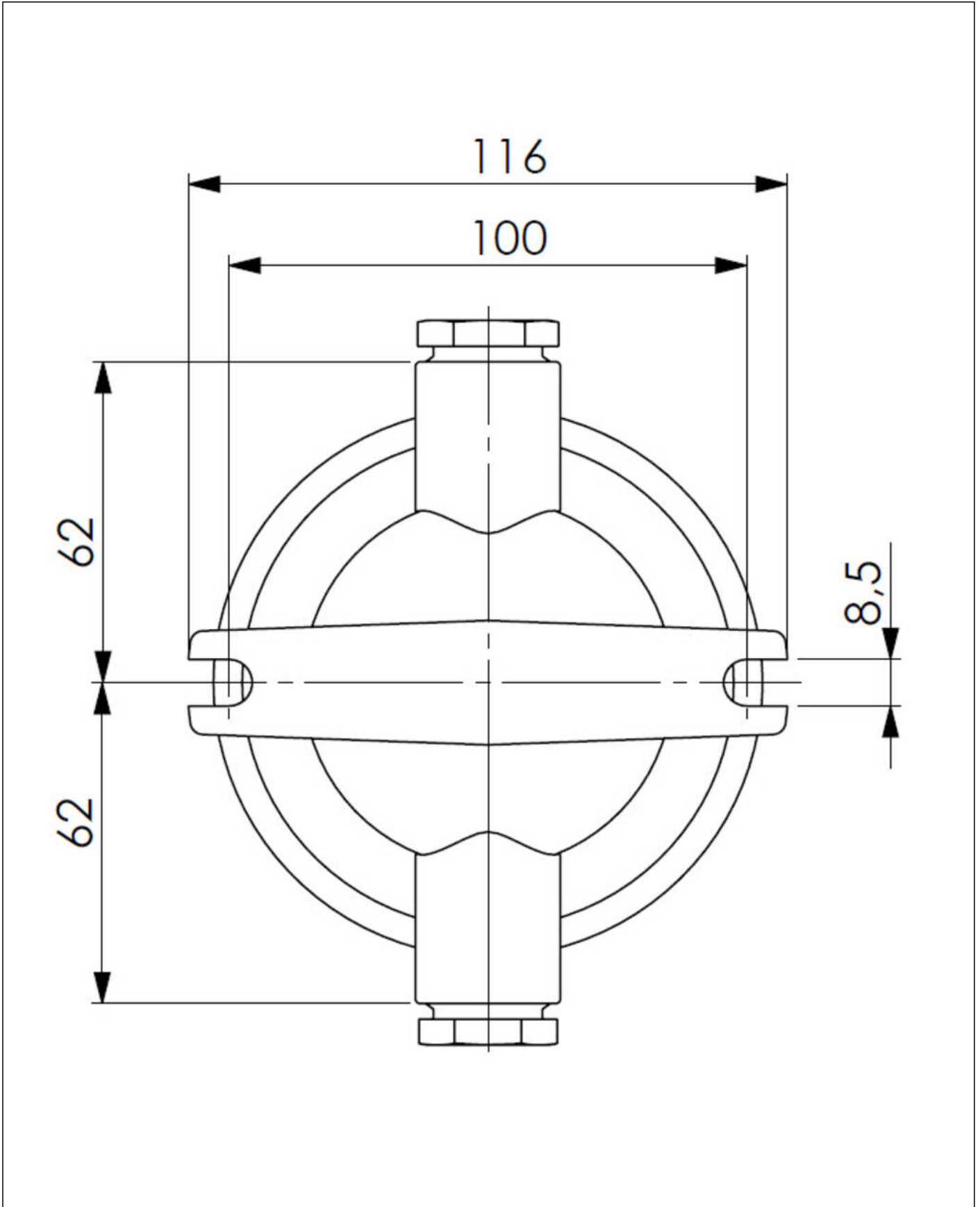
Your Contact:

WISKA Hoppmann GmbH

Kisdorfer Weg 28 · 24568 Kaltenkirchen · Germany

☎ +49-4191-508-0 · 📠 +49-4191-508-209

contact@wiska.de · www.wiska.com



Your Contact:

WISKA Hoppmann GmbH

Kisdorfer Weg 28 · 24568 Kaltenkirchen · Germany

☎ +49-4191-508-0 · 📠 +49-4191-508-209

contact@wiska.de · www.wiska.com

