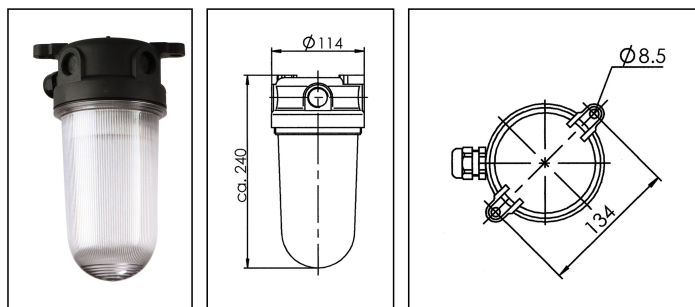
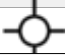


## 2000/G24-q-1/13W/clear

Multi-purpose luminaire 2000, IP68, plastic, G24-q1 13W, Cover clear



Products may differ in size, colour and appearance to those shown. If you require further information or customisation, please contact us directly.

<b>WISKA-Order no.</b>	10015300
<b>Type</b>	2000/G24-q-1/13W/clear
<b>Material</b>	PBT
<b>Material globe/diffuser</b>	Polycarbonate
<b>Globe colour</b>	Clear
<b>Power<sup>^</sup></b>	1 x 13 W
<b>Wattage</b>	13 W
<b>Voltage</b>	230 V
<b>Frequence</b>	50/60 Hz
<b>Protection class</b>	IP68 (2,0 bar 30min)
<b>Temp. range min</b>	-25 °C
<b>Temp. range max</b>	45 °C
<b>Lampholder</b>	G24 q-1
<b>Number of lampholder</b>	1 ST
<b>Lightsource</b>	Fluorescent lamp
<b>Lightsource incl.</b>	No
<b>Bulb shape</b>	rod shaped
<b>Power supply, electronic</b>	50-60Hz, 220-230VAC
<b>Material cable gland</b>	Polyamide
<b>Type of cable gland</b>	ESKV 20 PLUS / 7,5-14mm
<b>Using for cable gland</b>	
<b>Ø cable diameter min</b>	7,5 mm
<b>Ø cable diameter max</b>	14 mm
<b>External dimensions LxWxH</b>	134x240mm
<b>Weight</b>	0,68 kg

Your Contact:

WISKA Hoppmann GmbH

Kisdorfer Weg 28 · 24568 Kaltenkirchen · Germany

☎ +49-4191-508-0 · 📠 +49-4191-508-209

contact@wiska.de · www.wiska.com

<b>Colour</b>	Black
<b>Mounting</b>	Surface mounting, Upside down, Ceiling, Upside
<b>Equipment</b>	4 threaded knockout entry M20
<b>Tariff number</b>	85318070

Equipment:

- Plastic: impact resistant, heat-and water resistant
- 4 threaded knockout entries M 20
- Separate terminal to loop the armour
- Electronic ballast 220-240V, 50/60Hz
- 2 cable glands ESKV 20 PLUS enclosed separately

**Recommended accessories**

<b>2099 Wall bracket</b>	10015550
<b>SP-Vibration damper light 2000</b>	22000912

**Spare parts**

<b>SP-2080 Structured globe clear</b>	22000201
<b>SP-TC-D/E 13 Fluorescent lamp 13W G24q-1</b>	22000284
<b>SP-2000 ST/q-1 Baseplate 50/60Hz 13W</b>	22000286
<b>SP-2000 Housing M20</b>	22000382

23.05.2026

Your Contact:

**WISKA Hoppmann GmbH**  
 Kisdorfer Weg 28 · 24568 Kaltenkirchen · Germany  
 ☎ +49-4191-508-0 · 📠 +49-4191-508-209  
 contact@wiska.de · www.wiska.com



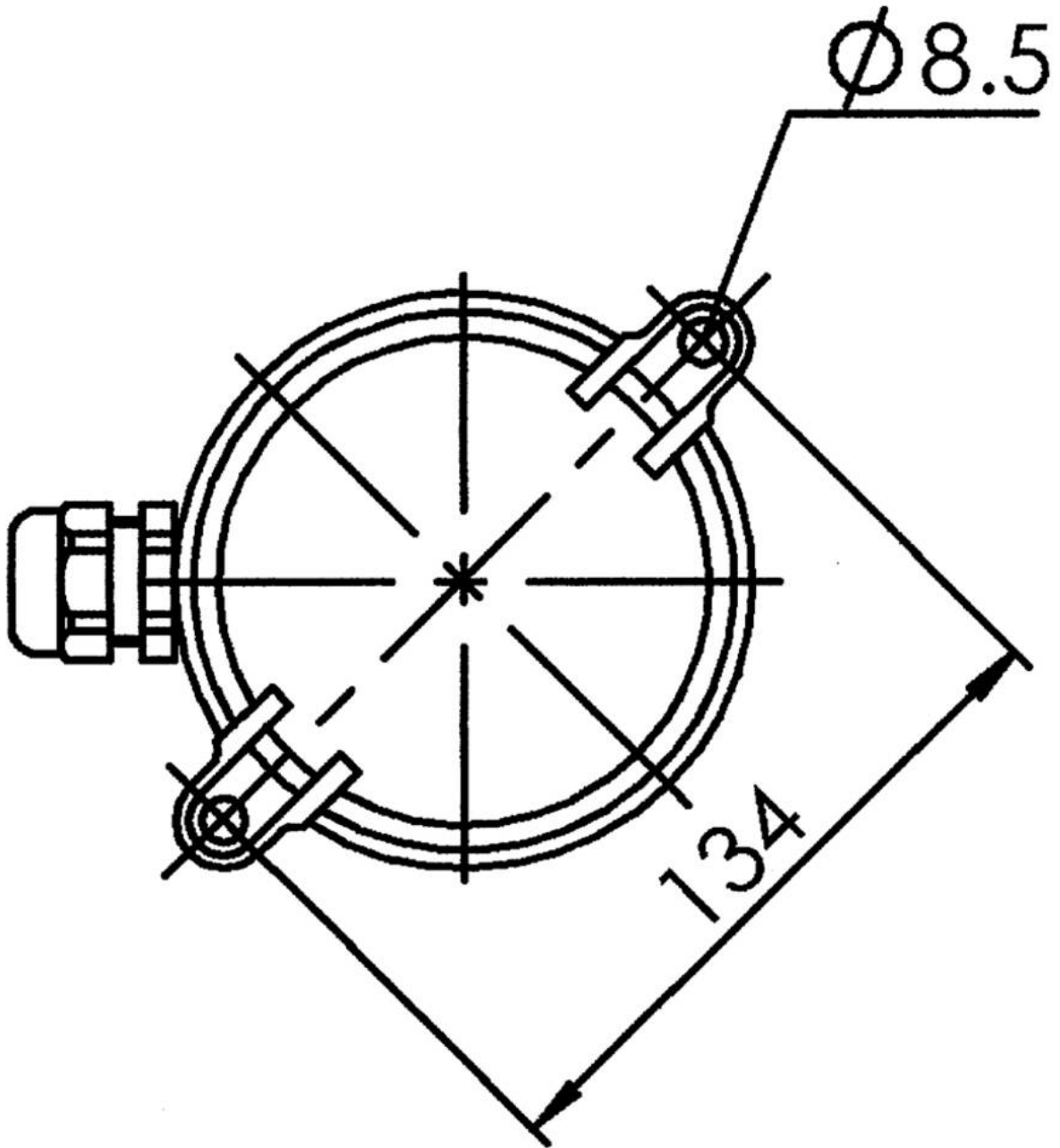
Your Contact:

**WISKA Hoppmann GmbH**

Kisdorfer Weg 28 · 24568 Kaltenkirchen · Germany

☎ +49-4191-508-0 · 📠 +49-4191-508-209

contact@wiska.de · www.wiska.com



Your Contact:

**WISKA Hoppmann GmbH**

Kisdorfer Weg 28 · 24568 Kaltenkirchen · Germany

☎ +49-4191-508-0 · 📠 +49-4191-508-209

contact@wiska.de · www.wiska.com