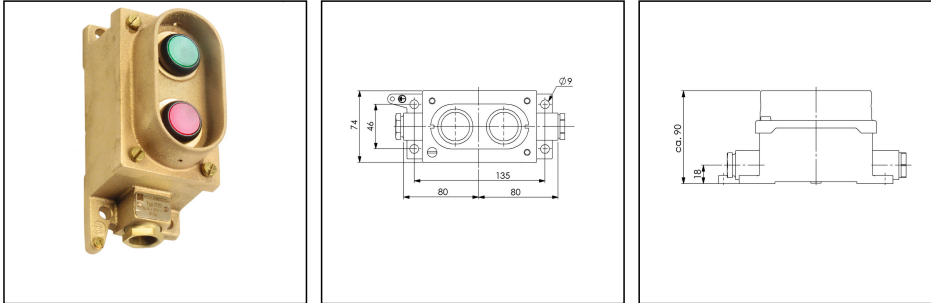



2720/D+PBL-R/AA+PBL-G/AA-2xZ14

Push button with light, 2-gang, brass, IP56



Products may differ in size, colour and appearance to those shown. If you require further information or customisation, please contact us directly.

| | |
|------------------------------|---|
| WISKA-Order no. | 10016047 |
| Type | 2720/D+PBL-R/AA+PBL-G/AA-2xZ14 |
| Voltage | 230 V |
| Type of Voltage | AC |
| Current | 6 A |
| Protection class | IP56 |
| Material | Brass |
| Using for cable gland |  |
| Type of cable gland | M 24 x 1,5 |
| Ø cable diameter min | 12 mm |
| Ø cable diameter max | 14,5 mm |
| Type of cable | armoured |
| Mounting | Surface mounting |
| Temp. range min | -25 °C |
| Temp. range max | 45 °C |
| Type of switch | Multiple push buttons |
| Weight | 1,6 kg |
| Tariff number | 85363010 |

Equipment:

- 1 Push button with light red, 2 closing contacts
- 1 Push button with light green, 2 closing contacts

Remarks:

- Push button acc. to IEC/EN 60947

Your Contact:

WISKA Hoppmann GmbH
 Kisdorfer Weg 28 · 24568 Kaltenkirchen · Germany
 ☎ +49-4191-508-0 · 📠 +49-4191-508-209
 contact@wiska.de · www.wiska.com

- Uimp max. = 6KV
- Max. 3 contacts per push button (AR, AA, RR or 1 LED indicator lamp)

Spare parts

| | |
|--|----------|
| SP-PBL-R Push button with light, red | 22000580 |
| SP-PBL-G Push button with light, green | 22000581 |

26.06.2026

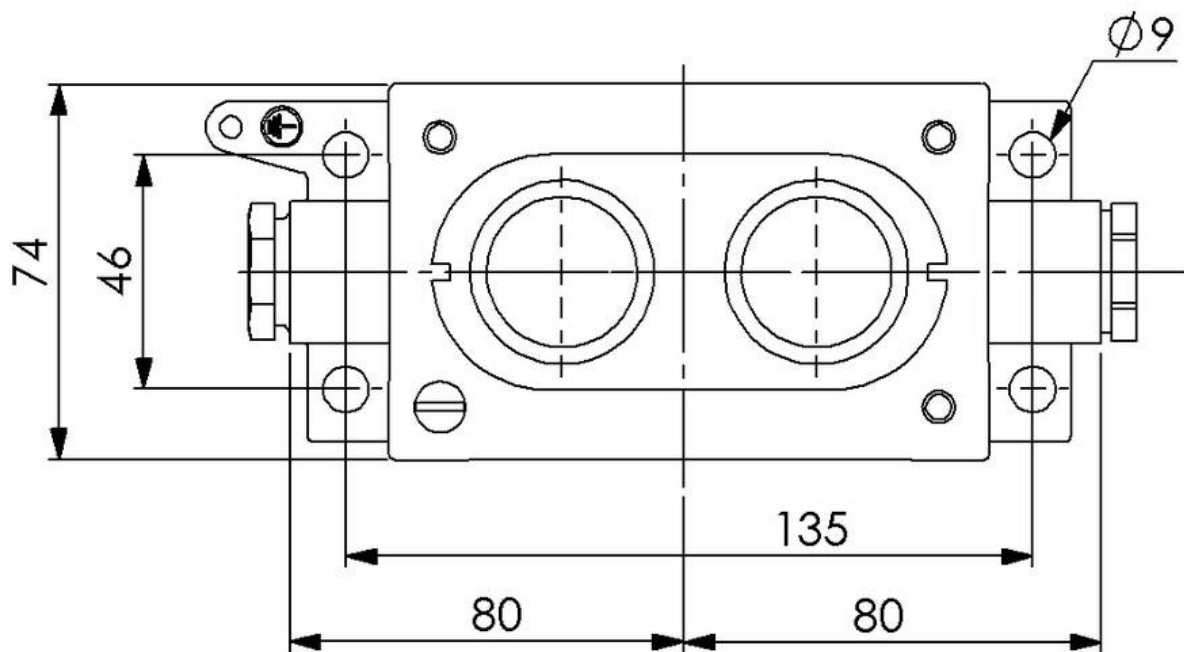
Your Contact:

WISKA Hoppmann GmbH

Kisdorfer Weg 28 · 24568 Kaltenkirchen · Germany

☎ +49-4191-508-0 · 📠 +49-4191-508-209

contact@wiska.de · www.wiska.com



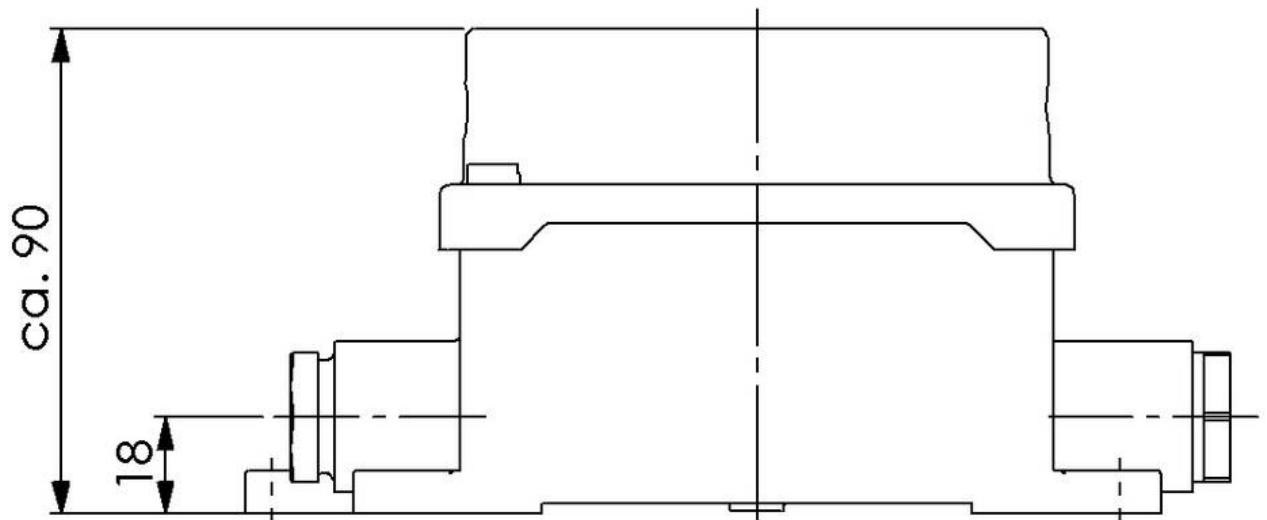
Your Contact:

WISKA Hoppmann GmbH

Kisdorfer Weg 28 · 24568 Kaltenkirchen · Germany

☎ +49-4191-508-0 · 📠 +49-4191-508-209

contact@wiska.de · www.wiska.com



Your Contact:

WISKA Hoppmann GmbH

Kisdorfer Weg 28 · 24568 Kaltenkirchen · Germany

☎ +49-4191-508-0 · 📠 +49-4191-508-209

contact@wiska.de · www.wiska.com