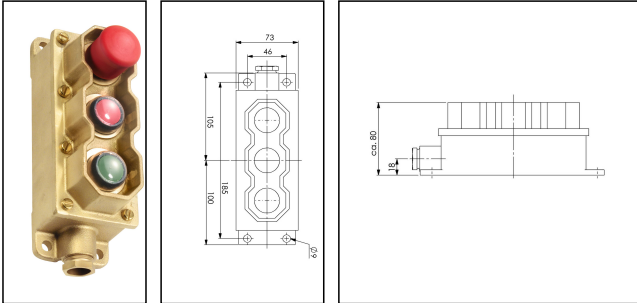


## 3720+IL-G/230+PB-R/AR+PB-G/AR-1xZ14

Combination of Push button and LED indication light 3-gang, brass, IP56



Products may differ in size, colour and appearance to those shown. If you require further information or customisation, please contact us directly.

<b>WISKA-Order no.</b>	10016121
<b>Type</b>	3720+IL-G/230+PB-R/AR+PB-G/AR-1xZ14
<b>Voltage</b>	230 V
<b>Type of Voltage</b>	AC
<b>Current</b>	6 A
<b>Protection class</b>	IP56
<b>Material</b>	Brass
<b>Using for cable gland</b>	
<b>Type of cable gland</b>	M 24 x 1,5
<b>Ø cable diameter min</b>	12 mm
<b>Ø cable diameter max</b>	14,5 mm
<b>Mounting</b>	Surface mounting
<b>Type of cable</b>	armoured
<b>Temp. range min</b>	-25 °C
<b>Temp. range max</b>	45 °C
<b>Type of switch</b>	Multiple push buttons
<b>Weight</b>	2,04 kg
<b>Tariff number</b>	85363010

Equipment:

- 1 LED indication light green 230V
- 1 Push button red 1 breaking contact, 1 closing contact
- 1 Push button green 1 breaking contact, 1 closing contact

Remarks:

Your Contact:

**WISKA Hoppmann GmbH**  
Kisdorfer Weg 28 · 24568 Kaltenkirchen · Germany  
☎ +49-4191-508-0 · 📠 +49-4191-508-209  
contact@wiska.de · www.wiska.com

- Push button acc. to IEC/EN 60947
- Uimp max. = 6KV
- Max. 3 contacts per push button (AR, AA, RR or 1 LED indicator lamp)

## Spare parts

SP-PB-R Push button, red	22000577
SP-PB-G Push button, green	22000578
SP-IL-G LED Indication light, green	22000584

23.05.2026

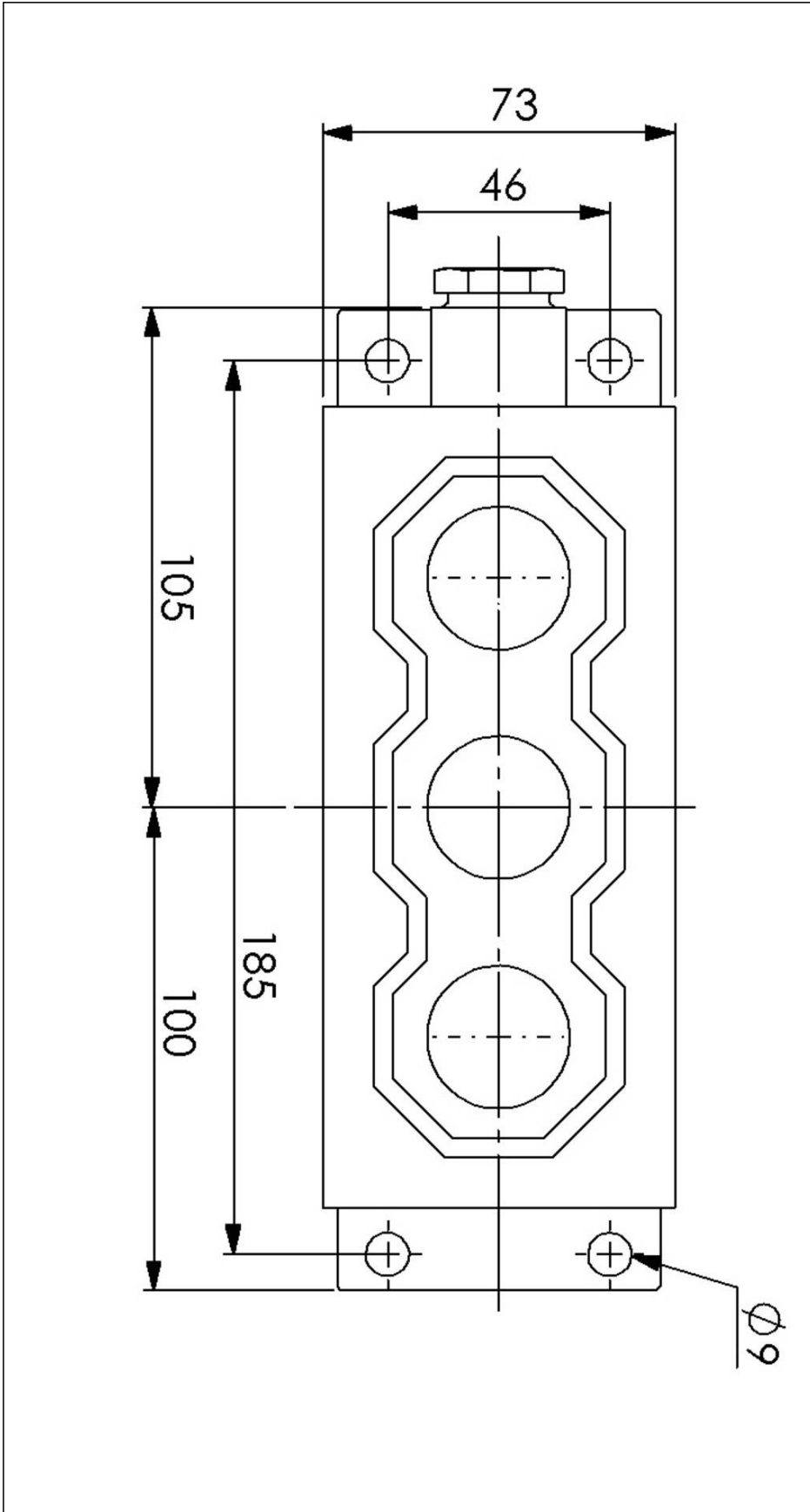
Your Contact:

**WISKA Hoppmann GmbH**

Kisdorfer Weg 28 · 24568 Kaltenkirchen · Germany

☎ +49-4191-508-0 · 📠 +49-4191-508-209

contact@wiska.de · www.wiska.com



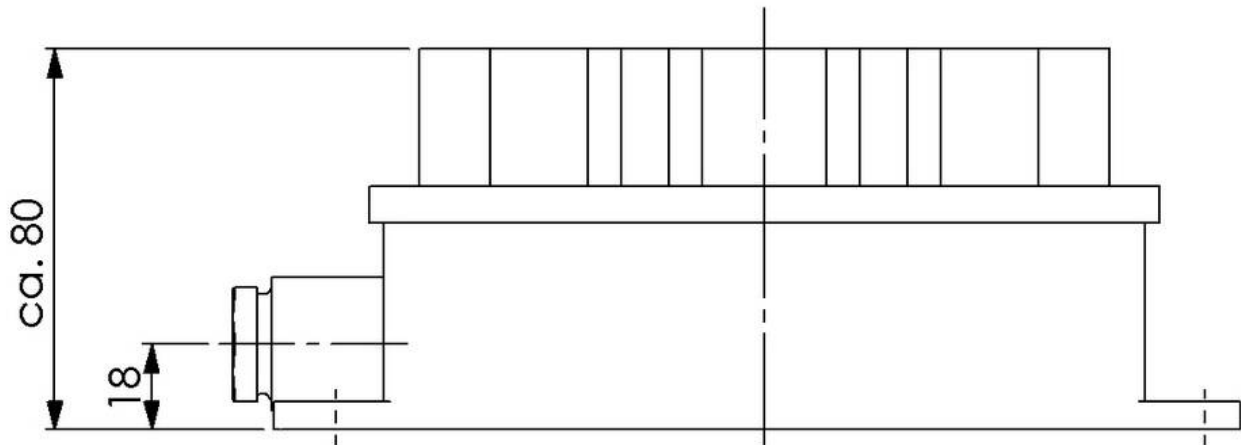
Your Contact:

**WISKA Hoppmann GmbH**

Kisdorfer Weg 28 · 24568 Kaltenkirchen · Germany

☎ +49-4191-508-0 · 📠 +49-4191-508-209

contact@wiska.de · www.wiska.com



Your Contact:

**WISKA Hoppmann GmbH**

Kisdorfer Weg 28 · 24568 Kaltenkirchen · Germany

☎ +49-4191-508-0 · 📠 +49-4191-508-209

✉ contact@wiska.de · www.wiska.com