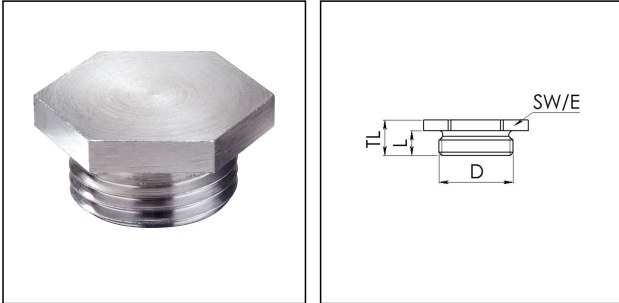


VSM 20/Cr

Stop end, brass chromed-plated similar to DIN 89284, M20



Products may differ in size, colour and appearance to those shown. If you require further information or customisation, please contact us directly.



Material	Brass
Temp. range min	-150 °C
Temp. range max	250 °C
Protection class	IP54
Thread type	M
Ø Connection thread D	20
Lead	1,5
Length screw-in thread L	8 mm
Key width SW	24 mm
Collar diameter (E)	28 mm
Total length TL	11,5 mm
Advice	* Similar to DIN 89284
Surface	Chromium-plated
Order no. chrome-plated	10016684
Form	A
Type	VSM 20/Cr
Packing unit	1
ETIM-Classification	EC000032

Remarks:

- with O-ring IP66/68

Recommended accessories

ORD-E 20 + PG11

10064699

Your Contact:

WISKA Hoppmann GmbH

Kisdorfer Weg 28 · 24568 Kaltenkirchen · Germany

☎ +49-4191-508-0 · 📠 +49-4191-508-209



contact@wiska.de · www.wiska.com

08.07.2026

Your Contact:

WISKA Hoppmann GmbH

Kisdorfer Weg 28 · 24568 Kaltenkirchen · Germany

 +49-4191-508-0 ·  +49-4191-508-209

contact@wiska.de · www.wiska.com

