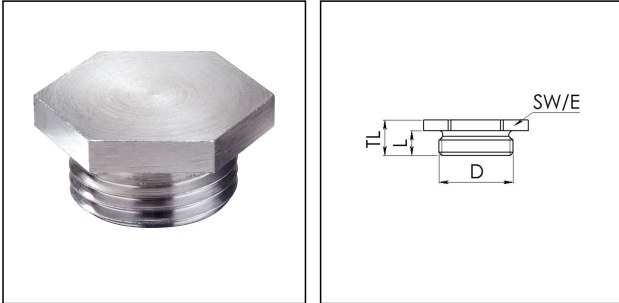


VSM 40/Cr

Stop end, brass chromed-plated similar to DIN 89284, M40



Products may differ in size, colour and appearance to those shown. If you require further information or customisation, please contact us directly.



Material	Brass
Temp. range min	-150 °C
Temp. range max	250 °C
Protection class	IP54
Thread type	M
Ø Connection thread D	40
Lead	1,5
Length screw-in thread L	14 mm
External diameter ED	46 mm
Key width SW	22 mm
Total length TL	22 mm
Advice	* Similar to DIN 89284
Surface	Chromium-plated
Order no. chrome-plated	10016690
Form	A
Type	VSM 40/Cr
Packing unit	1
ETIM-Classification	EC000032

Remarks:

- with O-ring IP66/68

Recommended accessories

ORD-E 40

10064702

Your Contact:

WISKA Hoppmann GmbH

Kisdorfer Weg 28 · 24568 Kaltenkirchen · Germany

☎ +49-4191-508-0 · 📠 +49-4191-508-209

contact@wiska.de · www.wiska.com

08.07.2026

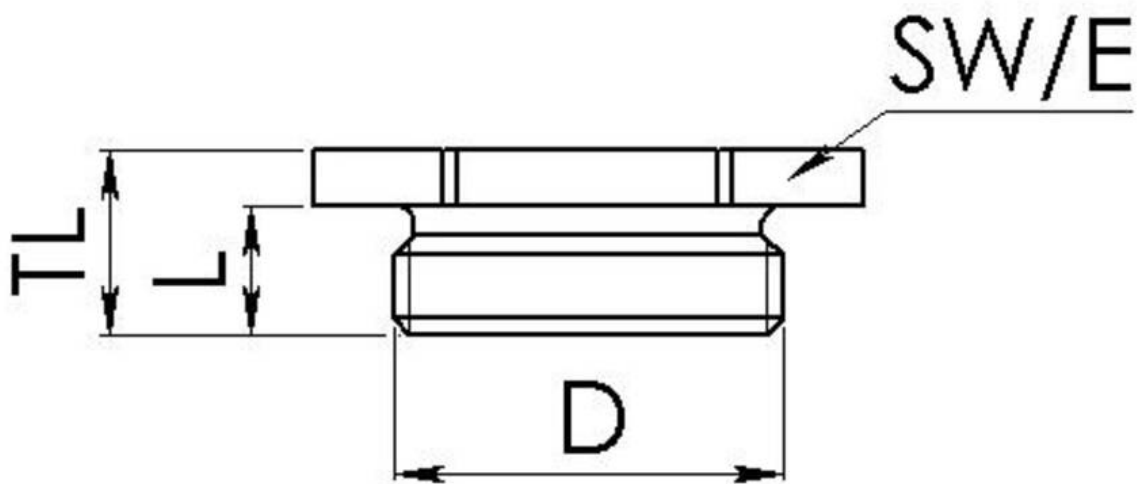
Your Contact:

WISKA Hoppmann GmbH

Kisdorfer Weg 28 · 24568 Kaltenkirchen · Germany

☎ +49-4191-508-0 · 📠 +49-4191-508-209

contact@wiska.de · www.wiska.com



Your Contact:

WISKA Hoppmann GmbH

Kisdorfer Weg 28 · 24568 Kaltenkirchen · Germany

☎ +49-4191-508-0 · 📠 +49-4191-508-209

contact@wiska.de · www.wiska.com