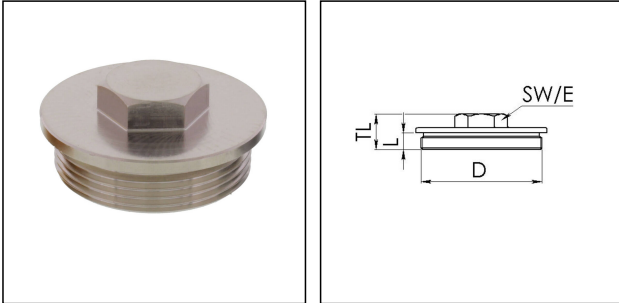


## VSM 56/Ni

Stop end, brass nickel-plated according to DIN 89284, M56



Products may differ in size, colour and appearance to those shown. If you require further information or customisation, please contact us directly.



<b>Material</b>	Brass
<b>Temp. range min</b>	-150 °C
<b>Temp. range max</b>	250 °C
<b>Protection class</b>	IP54
<b>Thread type</b>	M
<b>Ø Connection thread D</b>	56
<b>Lead</b>	2
<b>Length screw-in thread L</b>	12 mm
<b>Key width SW</b>	27 mm
<b>Collar diameter (E)</b>	32 mm
<b>Total length TL</b>	22 mm
<b>Surface</b>	Nickel-plated
<b>Order no. nickel-plated</b>	10016778
<b>Form</b>	B
<b>Type</b>	VSM 56/Ni
<b>Packing unit</b>	1
<b>ETIM-Classification</b>	EC000032

Remarks:

- with O-ring IP66/68

### Recommended accessories

<b>ORD-E 56 + PG42</b>	10104457
------------------------	----------

23.05.2026

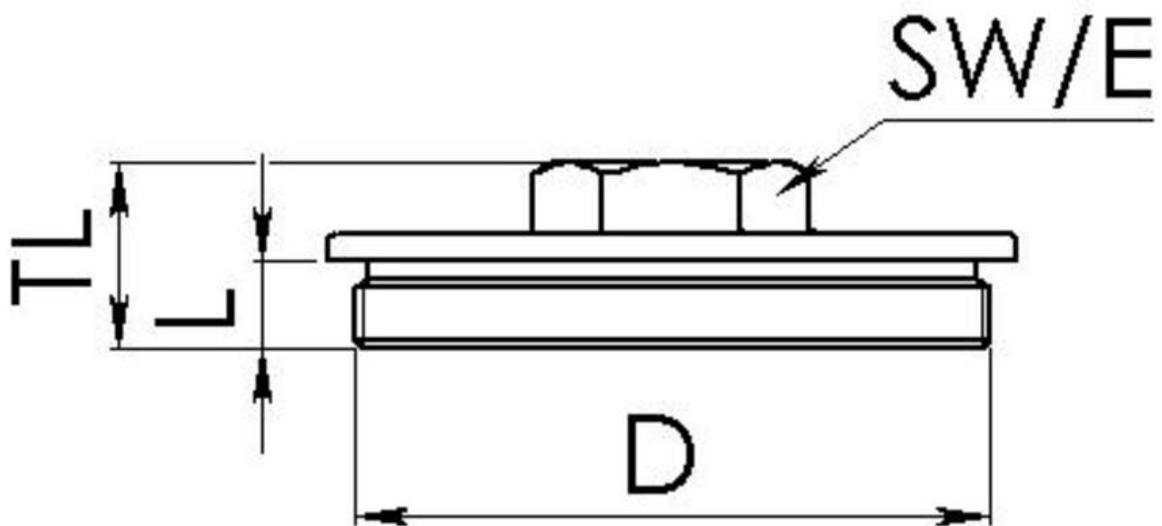
Your Contact:

**WISKA Hoppmann GmbH**

Kisdorfer Weg 28 · 24568 Kaltenkirchen · Germany

☎ +49-4191-508-0 · 📠 +49-4191-508-209

contact@wiska.de · www.wiska.com



Your Contact:

**WISKA Hoppmann GmbH**

Kisdorfer Weg 28 · 24568 Kaltenkirchen · Germany

☎ +49-4191-508-0 · 📠 +49-4191-508-209

contact@wiska.de · www.wiska.com