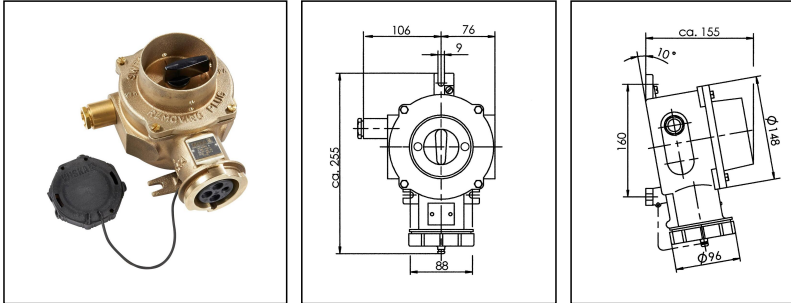



SO-32A-MS-D-500V-4P-3H-IP56-A01-Z20

CEE-socket 32A 500V 3h, brass, IP56



Products may differ in size, colour and appearance to those shown. If you require further information or customisation, please contact us directly.



WISKA-Order no.	10017033
Type	SO-32A-MS-D-500V-4P-3H-IP56-A01-Z20
Current	32 A
Protection class	IP56
Number of sockets	1
Temp. range min	-25 °C
Temp. range max	45 °C
Type of switch	On-Off, 3-pole
Socket insert	CEE
Clock face position	3h
Using for cable gland	
Type of cable gland	KVM 30x2,0 Z 20 / 18-20,5mm
Ø cable diameter min	18 mm
Ø cable diameter max	20,5 mm
Type of cable	armoured
Mounting	Surface mounting
Weight	5,64 kg
Variations	on request
Tariff number	85366990

Remarks:

CEE power socket 32A IP56 with switch
 material: brass/red brass, plastic bayonet cap
 equipment: with mechanical locking mechanism, according to DIN EN 60309,
 CEE 17/2, IEC 309
 3-pole + PE

Your Contact:

WISKA Hoppmann GmbH
 Kisdorfer Weg 28 · 24568 Kaltenkirchen · Germany
 ☎ +49-4191-508-0 · 📠 +49-4191-508-209
 contact@wiska.de · www.wiska.com

clock face position protective earth conductor 3h
with 2 cable glands KVM 30-Z20 for armoured cable 18-20,5mm
in diameter

Spare parts

SP-BC/FS-CEE/BELT/32A	22000403
SP-VARI-C-MS/tool-set	22000443
SP-C-CEE-MS/DI/32/94	22000448
SP-C-MS-CEE/GR/32/94	22000449
SP-SI-CEE/32/94	22000554
SP-CEE 1832 Switch interior 32/94	22000608
SP-CEE Knob 1832	22000692

12.05.2026

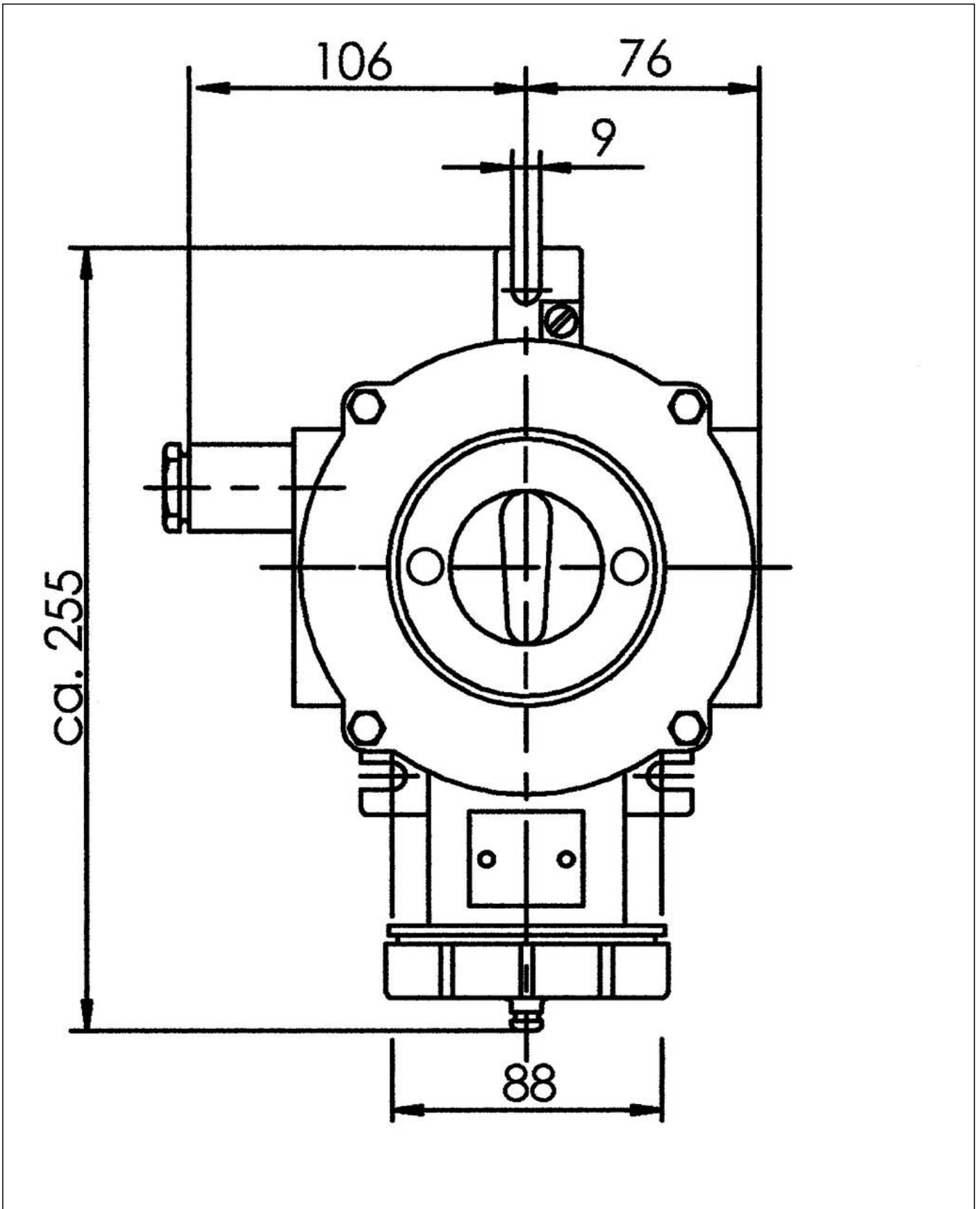
Your Contact:

WISKA Hoppmann GmbH

Kisdorfer Weg 28 · 24568 Kaltenkirchen · Germany

☎ +49-4191-508-0 · 📠 +49-4191-508-209

contact@wiska.de · www.wiska.com



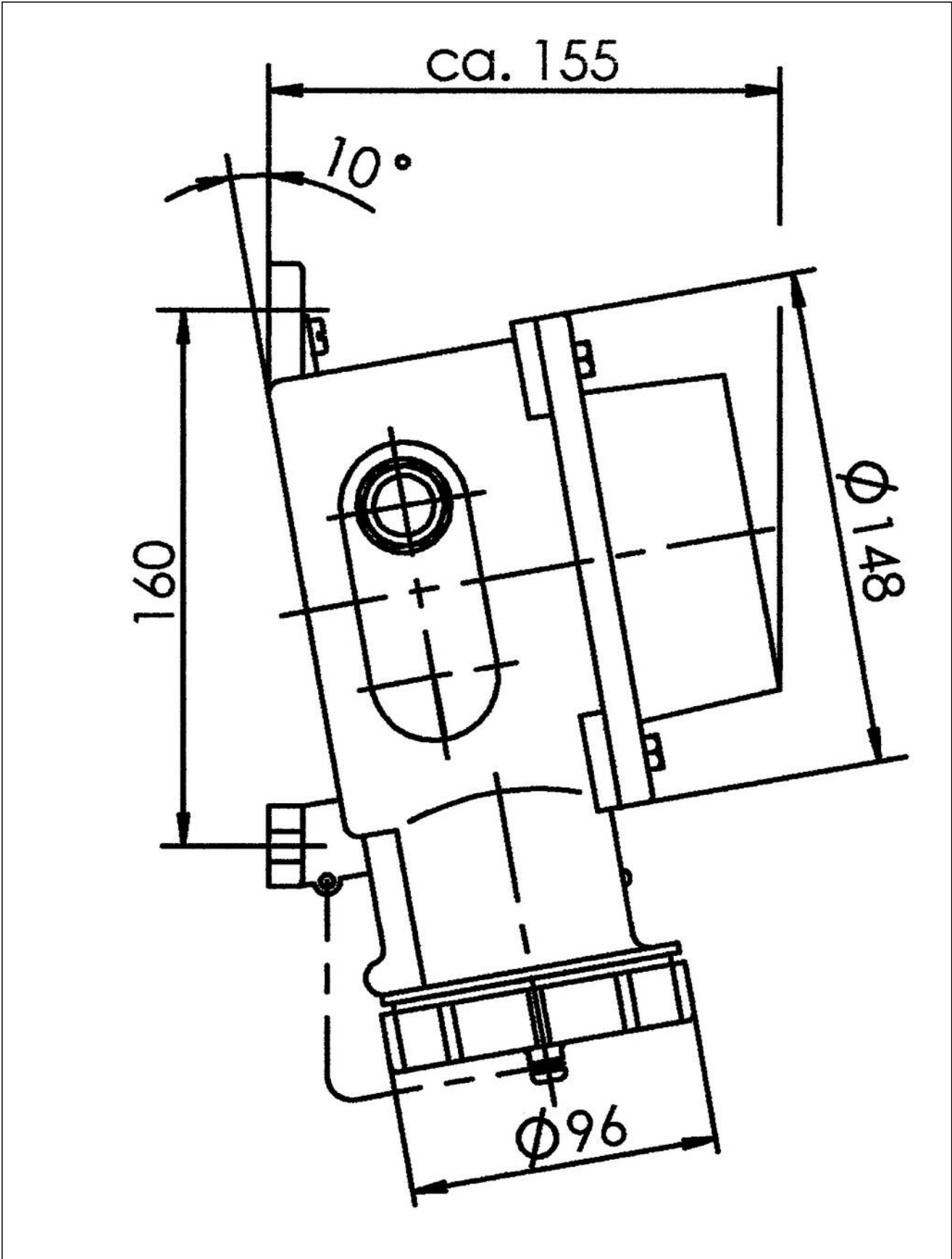
Your Contact:

WISKA Hoppmann GmbH

Kisdorfer Weg 28 · 24568 Kaltenkirchen · Germany

☎ +49-4191-508-0 · 📠 +49-4191-508-209

contact@wiska.de · www.wiska.com



Your Contact:

WISKA Hoppmann GmbH

Kisdorfer Weg 28 · 24568 Kaltenkirchen · Germany

☎ +49-4191-508-0 · 📠 +49-4191-508-209

contact@wiska.de · www.wiska.com