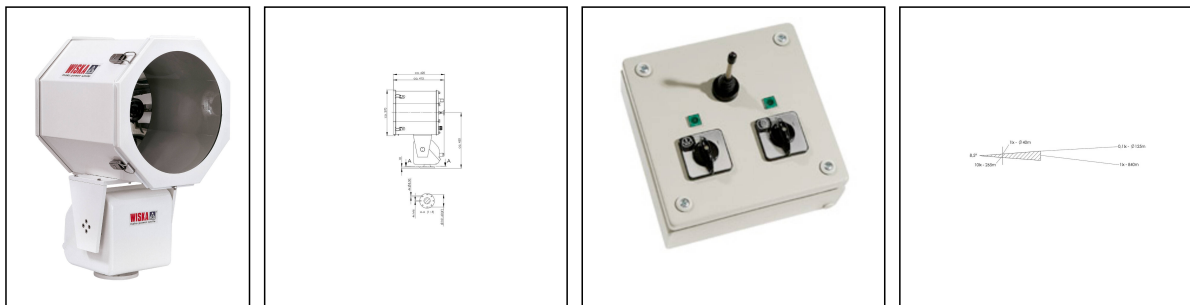


## SW300A-1000-X(230)-P14-R01

Searchlight for halogen lamps Ø 300mm 1000W 230V, aluminium reflector



Products may differ in size, colour and appearance to those shown. If you require further information or customisation, please contact us directly.

|                               |                            |
|-------------------------------|----------------------------|
| <b>WISKA-Order no.</b>        | 10021341                   |
| <b>Type</b>                   | SW300A-1000-X(230)-P14-R01 |
| <b>P/T-Type</b>               | FL20/230VAC                |
| <b>Horizontal °/s</b>         | 5 °/sec                    |
| <b>Vertical °/s</b>           | 2,4 °/sec                  |
| <b>Rotation horizontal</b>    | 330 °                      |
| <b>Rotation vertical</b>      | +50 ° / -70 °              |
| <b>Material</b>               | Stainless steel            |
| <b>Colour</b>                 | RAL 9016                   |
| <b>Surface</b>                | Powder coated              |
| <b>Wattage</b>                | 1000 W                     |
| <b>Voltage max. (V)</b>       | 230 V                      |
| <b>Type of Voltage</b>        | AC                         |
| <b>Frequence</b>              | 50/60 Hz                   |
| <b>Protection class</b>       | IP56                       |
| <b>Operational areas</b>      | Outdoor                    |
| <b>Reflector</b>              | Aluminium                  |
| <b>Focusing</b>               | fixed focus                |
| <b>Lightsource</b>            | Halogen lamp               |
| <b>Lightsource incl.</b>      | No                         |
| <b>Light performance</b>      | immediately                |
| <b>Range (1 lux)</b>          | 840 m                      |
| <b>Light intensity mio/cd</b> | 0,7                        |
| <b>Divergence</b>             | 8,5°/10                    |
| <b>Lampholder</b>             | GX 9,5                     |

Your Contact:

**WISKA Hoppmann GmbH**

Kisdorfer Weg 28 · 24568 Kaltenkirchen · Germany

☎ +49-4191-508-0 · 📠 +49-4191-508-209

contact@wiska.de · www.wiska.com

|                             |                              |
|-----------------------------|------------------------------|
| <b>Number of lampholder</b> | 1 ST                         |
| <b>Temp. range min</b>      | -25 °C                       |
| <b>Temp. range max</b>      | 45 °C                        |
| <b>Control unit</b>         | RCU-A                        |
| <b>Type of cable gland</b>  | ESKVS 20                     |
| <b>Material cable gland</b> | Polyamide                    |
| <b>Type of cable</b>        | non-armoured                 |
| <b>Power cable</b>          | H07RN-F 3x1,5mm <sup>2</sup> |
| <b>Ø cable diameter min</b> | 6 mm                         |
| <b>Ø cable diameter max</b> | 13 mm                        |
| <b>Globe colour</b>         | Clear                        |
| <b>Mounting</b>             | Upside                       |
| <b>Weight</b>               | 24 kg                        |
| <b>Tariff number</b>        | 94054910                     |

Remarks:

SW300A: Searchlight for halogen lamp 230V, IP56, aluminium parabolic mirror 300mm  
 1000W  
 Voltage: 230V  
 P14: Pan and Tilt unit FL20, 230V  
 R01: Remote control unit, surface, RCU-A, 220V

Equipment:

- Toughened front glass
- Rubber sealing
- Quick fastening devices
- Connection cable 3m
- Anti dazzle screen

**Spare parts**

|   |          |
|---|----------|
| <b>SP-SW-Halogen lamp 1000W 230V GX9,5</b>      | 22000041 |
| <b>SP-SW-1997 Lampholder GX 9,5</b>             | 22000044 |
| <b>SP-S-FL20 Motor (230VAC) Kit tilt (V)</b>    | 22000048 |
| <b>SP-S-FL20 Motor (230VAC) Kit pan (H)</b>     | 22000049 |
| <b>SP-S-Quick releases clamp (4 pcs)</b>        | 22000050 |
| <b>SP-S-RCU-Position control switch XD2-GE3</b> | 22000060 |
| <b>SP-S-RCU-ON/OFF Switch</b>                   | 22000061 |
| <b>SP-S-RCU-Lamp on indicator 230V square</b>   | 22000062 |
| <b>SP-SW300-Front frame + Front glass cpl.</b>  | 22000091 |

Your Contact:

**WISKA Hoppmann GmbH**  
 Kisdorfer Weg 28 · 24568 Kaltenkirchen · Germany  
 ☎ +49-4191-508-0 · 📠 +49-4191-508-209  
 contact@wiska.de · www.wiska.com

|                                      |          |
|--------------------------------------|----------|
| SP-SW-Gasket for searchlight housing | 22000116 |
| SP-S-FL20 O-ring for casing lid      | 22000598 |

12.05.2026

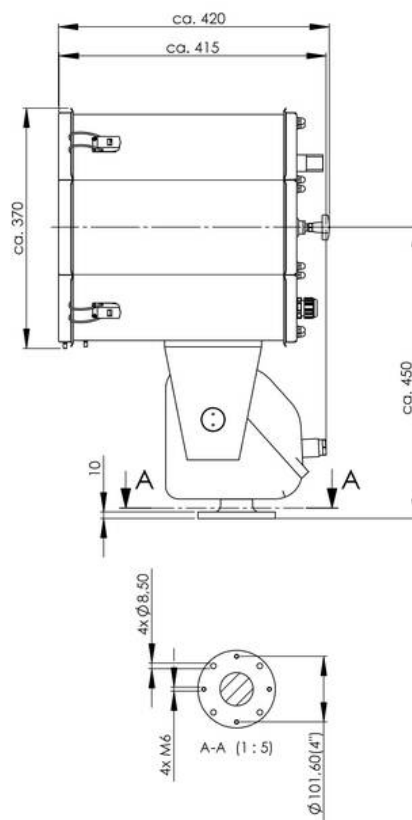
Your Contact:

**WISKA Hoppmann GmbH**

Kisdorfer Weg 28 · 24568 Kaltenkirchen · Germany

☎ +49-4191-508-0 · 📠 +49-4191-508-209

contact@wiska.de · www.wiska.com



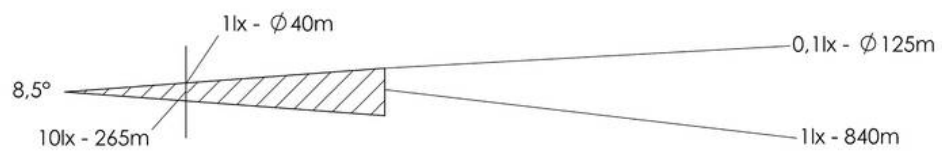
Your Contact:

**WISKA Hoppmann GmbH**

Kisdorfer Weg 28 · 24568 Kaltenkirchen · Germany

☎ +49-4191-508-0 · 📠 +49-4191-508-209

contact@wiska.de · www.wiska.com



Your Contact:

**WISKA Hoppmann GmbH**

Kisdorfer Weg 28 · 24568 Kaltenkirchen · Germany

☎ +49-4191-508-0 · 📠 +49-4191-508-209

contact@wiska.de · www.wiska.com