

## SW300 -1000-X(230)-P14-R09-I01

Searchlight for halogen lamps Ø 300mm 1000W 230V



Products may differ in size, colour and appearance to those shown. If you require further information or customisation, please contact us directly.

<b>WISKA-Order no.</b>	10021604
<b>Type</b>	SW300 -1000-X(230)-P14-R09-I01
<b>P/T-Type</b>	FL20/230VAC
<b>Horizontal °/s</b>	5 °/sec
<b>Vertical °/s</b>	2,4 °/sec
<b>Rotation horizontal</b>	330 °
<b>Rotation vertical</b>	+50 ° / -70 °
<b>Material</b>	Stainless steel
<b>Colour</b>	RAL 9016
<b>Surface</b>	Powder coated
<b>Wattage</b>	1000 W
<b>Voltage max. (V)</b>	230 V
<b>Type of Voltage</b>	AC
<b>Frequence</b>	50/60 Hz
<b>Protection class</b>	IP56
<b>Operational areas</b>	Outdoor
<b>Reflector</b>	Glass
<b>Focusing</b>	manuel
<b>Lightsource</b>	Halogen lamp
<b>Lightsource incl.</b>	No
<b>Light performance</b>	immediately
<b>Range (1 lux)</b>	1000 m
<b>Light intensity mio/cd</b>	1
<b>Divergence</b>	8,5°/10
<b>Lampholder</b>	GX 9,5

Your Contact:

**WISKA Hoppmann GmbH**

Kisdorfer Weg 28 · 24568 Kaltenkirchen · Germany

☎ +49-4191-508-0 · 📠 +49-4191-508-209

contact@wiska.de · www.wiska.com

<b>Number of lampholder</b>	1 ST
<b>Temp. range min</b>	-25 °C
<b>Temp. range max</b>	45 °C
<b>Control unit</b>	RCU-E-KL
<b>Type of cable gland</b>	ESKVS 20
<b>Material cable gland</b>	Polyamide
<b>Type of cable</b>	non-armoured
<b>Power cable</b>	H07RN-F 3x1,5mm <sup>2</sup>
<b>Ø cable diameter min</b>	6 mm
<b>Ø cable diameter max</b>	13 mm
<b>Globe colour</b>	Clear
<b>Mounting</b>	Upside
<b>Weight</b>	39 kg
<b>Tariff number</b>	94054910

Remarks:

SW300: Searchlight for halogen lamp 230V, IP56,  
 glass parabolic mirror 300mm  
 1000W  
 Voltage: 230V  
 P14: Pan and Tilt unit FL20, 230V  
 R09: Remote control unit, recessed, small, RCU-E-KL, 230V  
 I01: manuel, stepless focusing

Equipment:

- Toughened front glass
- Rubber sealing
- Quick fastening devices
- Connection cable 3m
- Anti dazzle screen

**Spare parts**

<b>SP-SW-Halogen lamp 1000W 230V GX9,5</b>	22000041
<b>SP-SW-1997 Lampholder GX 9,5</b>	22000044
<b>SP-S-Quick releases clamp (4 pcs)</b>	22000050
<b>SP-SW300-Front frame + Front glass cpl.</b>	22000091
<b>SP-SW-Gasket for searchlight housing</b>	22000116
<b>SP-S-RCU-E-KL On/Off switch</b>	22000440
<b>SP-S-RCU-E-KL Joystick for RC</b>	22000442
<b>SP-S-FL20 O-ring for casing lid</b>	22000598

Your Contact:

**WISKA Hoppmann GmbH**  
 Kisdorfer Weg 28 · 24568 Kaltenkirchen · Germany  
 ☎ +49-4191-508-0 · 📠 +49-4191-508-209  
 contact@wiska.de · www.wiska.com

12.05.2026

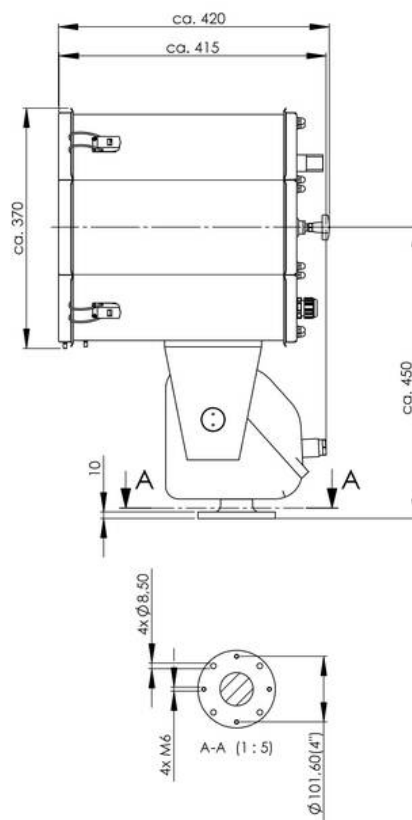
Your Contact:

**WISKA Hoppmann GmbH**

Kisdorfer Weg 28 · 24568 Kaltenkirchen · Germany

☎ +49-4191-508-0 · 📠 +49-4191-508-209

contact@wiska.de · www.wiska.com



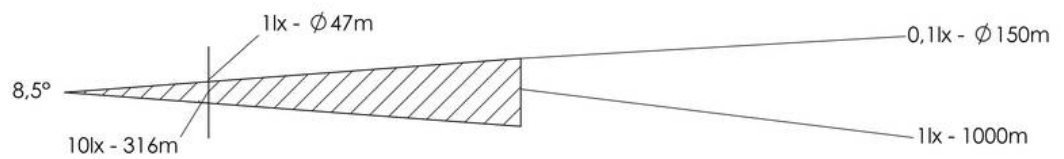
Your Contact:

**WISKA Hoppmann GmbH**

Kisdorfer Weg 28 · 24568 Kaltenkirchen · Germany

☎ +49-4191-508-0 · 📠 +49-4191-508-209

contact@wiska.de · www.wiska.com



Your Contact:

**WISKA Hoppmann GmbH**

Kisdorfer Weg 28 · 24568 Kaltenkirchen · Germany

☎ +49-4191-508-0 · 📠 +49-4191-508-209

contact@wiska.de · www.wiska.com