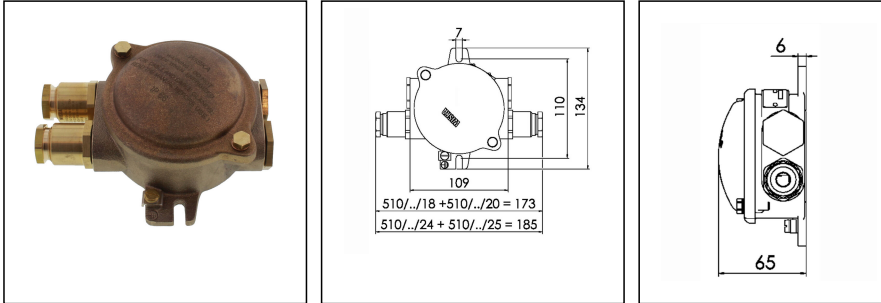



## 510/D/2x24-Z14

Ex Junction box 134x109x65mm, brass, with terminal block



Products may differ in size, colour and appearance to those shown. If you require further information or customisation, please contact us directly.



<b>WISKA-Order no.</b>	10030254
<b>Type</b>	510/D/2x24-Z14
<b>Material</b>	Brass
<b>Voltage</b>	690 V
<b>Protection class</b>	IP66
<b>Operational areas</b>	Explosion protection
<b>Temp. range min</b>	-55 °C
<b>Temp. range max</b>	130 °C
<b>Material cable gland</b>	Brass
<b>Type of cable gland</b>	M 24 x 1,5
<b>Ø cable diameter min</b>	12 mm
<b>Ø cable diameter max</b>	14,5 mm
<b>Type of cable</b>	armoured
<b>External dimensions LxWxH</b>	134x109x65mm
<b>Mounting</b>	Surface mounting
<b>Rated cross section</b>	6 mm <sup>2</sup>
<b>Equipment</b>	Clamp
<b>Terminals/poles</b>	2 x 2-poles, 6mm <sup>2</sup>
<b>Explosion Groups</b>	II
<b>Marking</b>	II 2 G Ex eb IIC T6...T4 Gb, II 2 D Ex tb IIIC T85°C Db
<b>Using for cable gland</b>	
<b>Zone</b>	1
<b>Approval</b>	RMRS, DNV-GL
<b>Weight</b>	1,1 kg
<b>Variations</b>	on request

Your Contact:

WISKA Hoppmann GmbH  
Kisdorfer Weg 28 · 24568 Kaltenkirchen · Germany  
☎ +49-4191-508-0 · 📠 +49-4191-508-209  
contact@wiska.de · www.wiska.com

**Tariff number**

85369010

Equipment:

- 4 contact points to 3x6mm<sup>2</sup>
- Cable gland M 24x1,5, internal parts Z14
- Position of cable entries is exchangeable

**Spare parts**

**SP-EX-510 terminal block 2x2 pole 6mm<sup>2</sup>**

22000410

22.05.2026

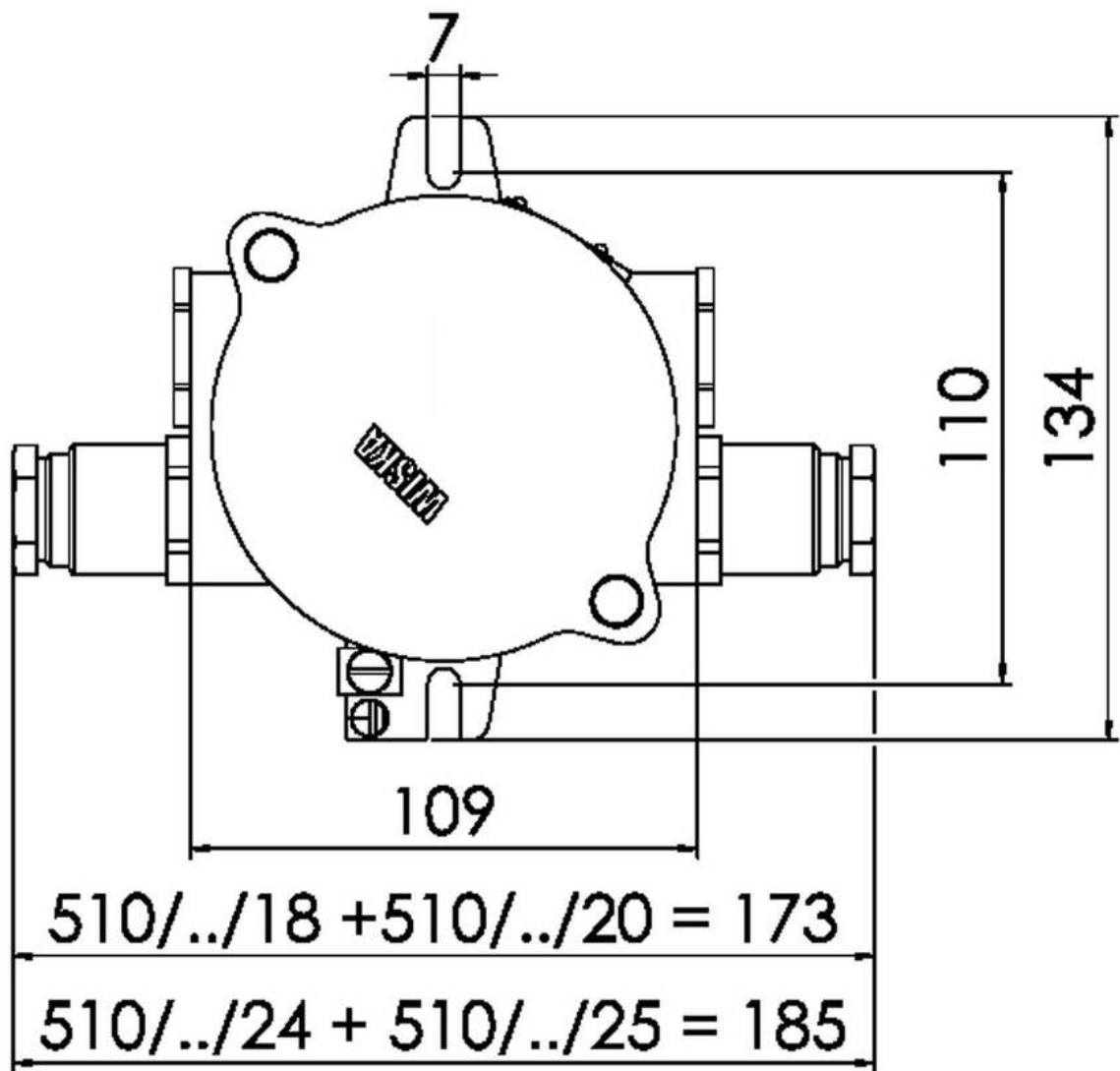
Your Contact:

**WISKA Hoppmann GmbH**

Kisdorfer Weg 28 · 24568 Kaltenkirchen · Germany

☎ +49-4191-508-0 · 📠 +49-4191-508-209

contact@wiska.de · www.wiska.com



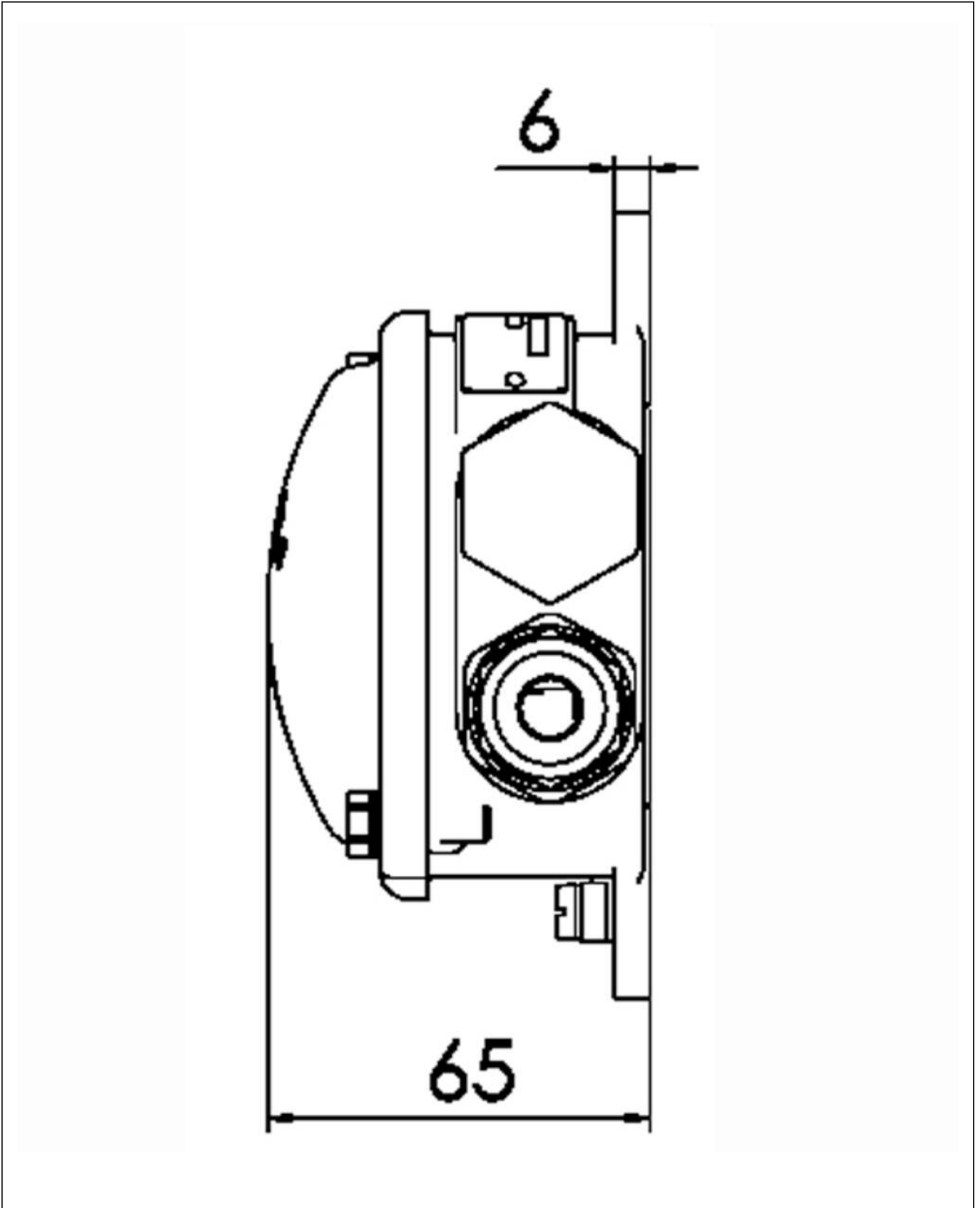
Your Contact:

WISKA Hoppmann GmbH

Kisdorfer Weg 28 · 24568 Kaltenkirchen · Germany

☎ +49-4191-508-0 · 📠 +49-4191-508-209

contact@wiska.de · www.wiska.com



Your Contact:

**WISKA Hoppmann GmbH**

Kisdorfer Weg 28 · 24568 Kaltenkirchen · Germany

☎ +49-4191-508-0 · 📠 +49-4191-508-209

contact@wiska.de · www.wiska.com