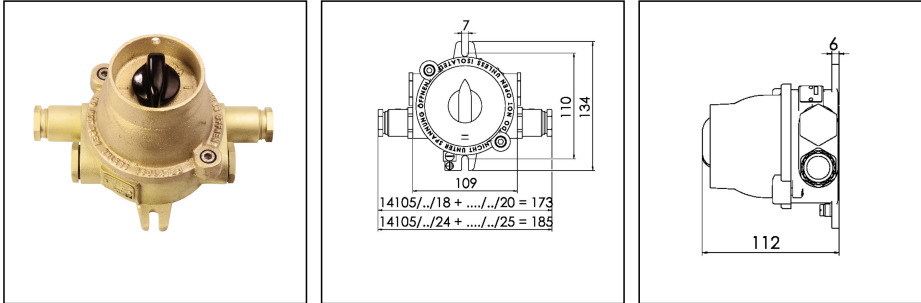


Ex-14105/4/4x24-Z14

Ex On-off switch 2-pole 16A, brass, IP66



Products may differ in size, colour and appearance to those shown. If you require further information or customisation, please contact us directly.



WISKA-Order no.	10030507
Type	Ex-14105/4/4x24-Z14
Material	Brass
Voltage	690 V
Current	16 A
Protection class	IP66
Type of switch	On-Off, 2-pole
Temp. range min	-40 °C
Temp. range max	55 °C
Using for cable gland	
Type of cable gland	M 24 x 1,5
Material cable gland	Brass
Type of cable	armoured
Ø cable diameter min	12 mm
Ø cable diameter max	14,5 mm
Explosion Groups	IIC, IIC
Approval	TÜV 14 ATEX 7568 X, IECEx TUR 15.0017X
Marking	II 2G Ex de IIC T6...T5 Gb, II 2D Ex tb IIIC T80° Db
Zone	21, 1
Approval	DNV-GL, RMRS
Mounting	Surface mounting
Colour	Black
Weight	2 kg
Variations	on request
M_00000190	85363010

Your Contact:

WISKA Hoppmann GmbH
 Kisdorfer Weg 28 · 24568 Kaltenkirchen · Germany
 ☎ +49-4191-508-0 · 📠 +49-4191-508-209
 contact@wiska.de · www.wiska.com

Spare parts

SP-Ex-E 4105	22000411
SP-EX-14105 Switch knob	22000865

07.07.2026

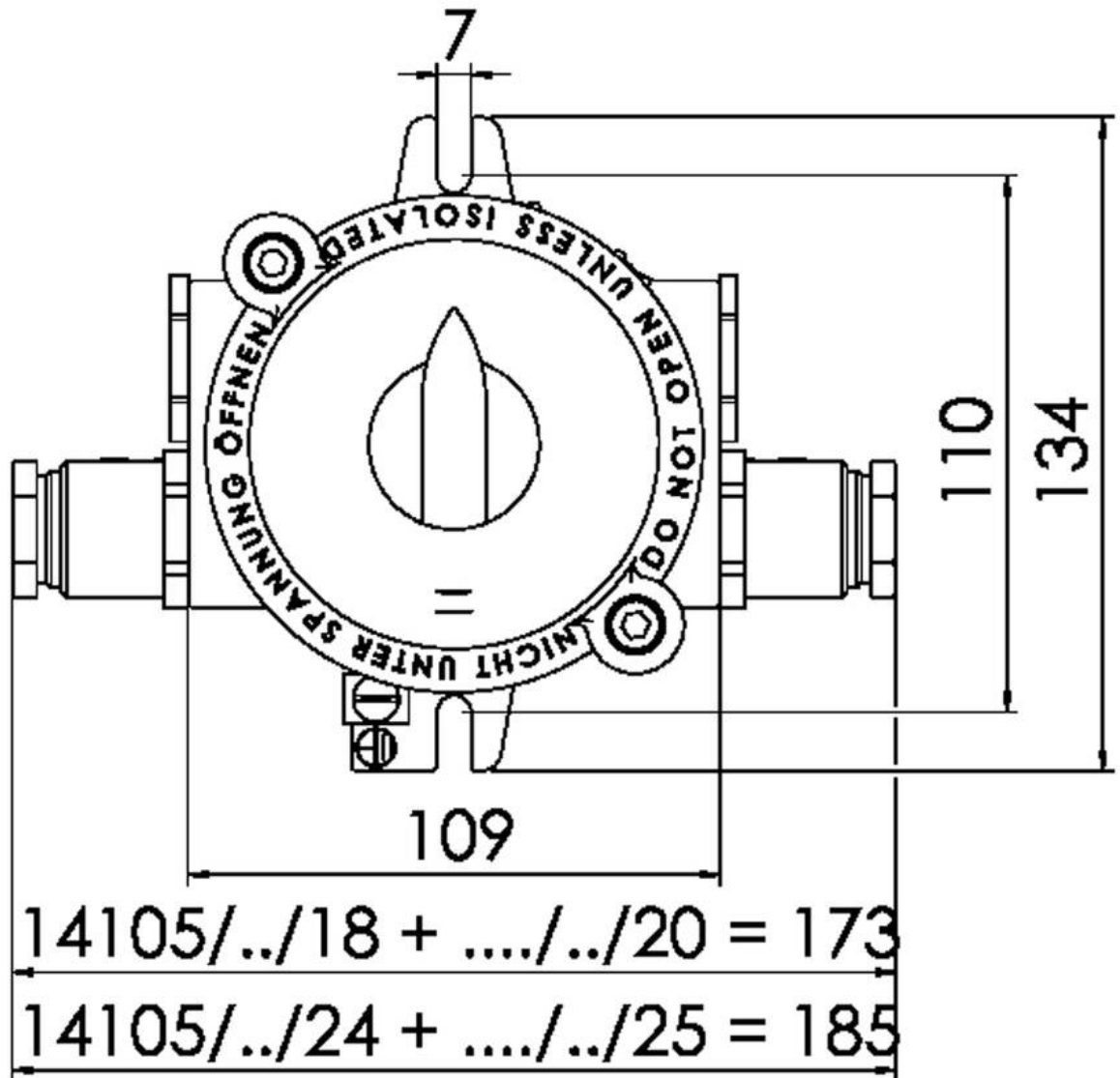
Your Contact:

WISKA Hoppmann GmbH

Kisdorfer Weg 28 · 24568 Kaltenkirchen · Germany

☎ +49-4191-508-0 · 📠 +49-4191-508-209

contact@wiska.de · www.wiska.com



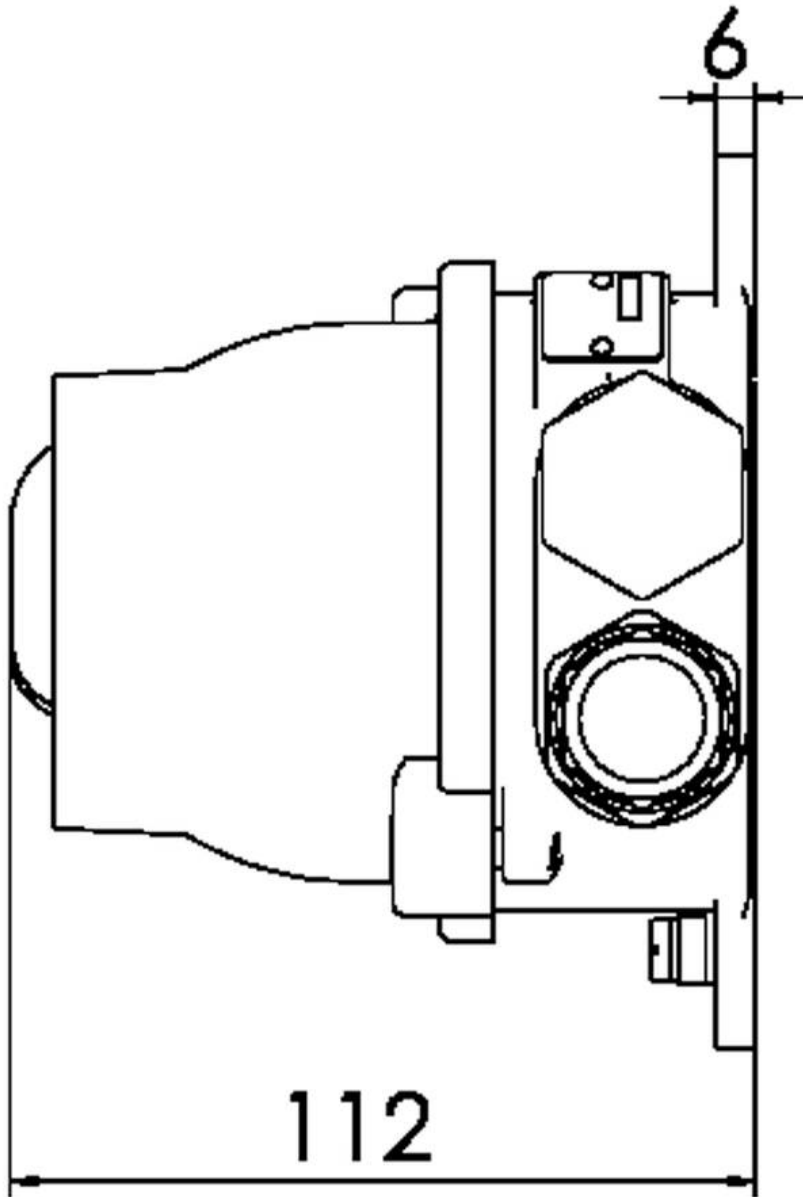
Your Contact:

WISKA Hoppmann GmbH

Kisdorfer Weg 28 · 24568 Kaltenkirchen · Germany

☎ +49-4191-508-0 · 📠 +49-4191-508-209

contact@wiska.de · www.wiska.com



Your Contact:

WISKA Hoppmann GmbH

Kisdorfer Weg 28 · 24568 Kaltenkirchen · Germany

☎ +49-4191-508-0 · 📠 +49-4191-508-209

contact@wiska.de · www.wiska.com