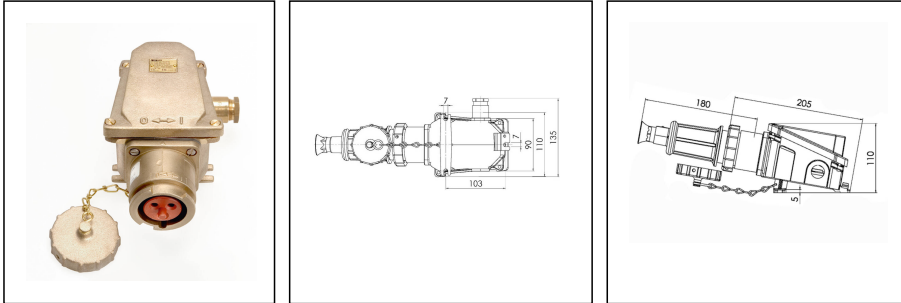



Ex-5516/D/4h/2x24-Z14

Ex socket 16A 130V, brass, IP66



Products may differ in size, colour and appearance to those shown. If you require further information or customisation, please contact us directly.



WISKA-Order no.	10030765
Type	Ex-5516/D/4h/2x24-Z14
Material	Brass
Voltage	130 V
Voltage max. (V)	400 V
Current	16 A
Protection class	IP66
Temp. range min	-40 °C
Temp. range max	40 °C
Socket insert	2 - poles + PE
Clock face position	4h
Type of cable gland	M 24 x 1,5
Material cable gland	Brass
Using for cable gland	
Type of cable	armoured
Ø cable diameter min	12 mm
Ø cable diameter max	14,5 mm
Mounting	Surface mounting
Approval	TÜV 14 ATEX 7565X, IECEx TUR 15.0018X
Marking	II 2 G Ex de IIC T6...T5 Gb, II 2 D Ex tb IIIC T65°C Db
Explosion Groups	IIIC, IIC
Zone	1, 21
Temp.-class	T6
Approval	DNV-GL, RMRS
Weight	3,19 kg

Your Contact:

WISKA Hoppmann GmbH

Kisdorfer Weg 28 · 24568 Kaltenkirchen · Germany

☎ +49-4191-508-0 · 📠 +49-4191-508-209

contact@wiska.de · www.wiska.com

Variations

on request

Remarks:

- 4h - 2-pole + E, 110V-130V
- Security switching arrangement with locking device
- Flameproof enclosed interior
- Inside and outside earth connection
- Temperature range -40°C - +55°C = T5

Spare parts

SP-55160-ATEX Ex Socket interior

22000414

22.05.2026

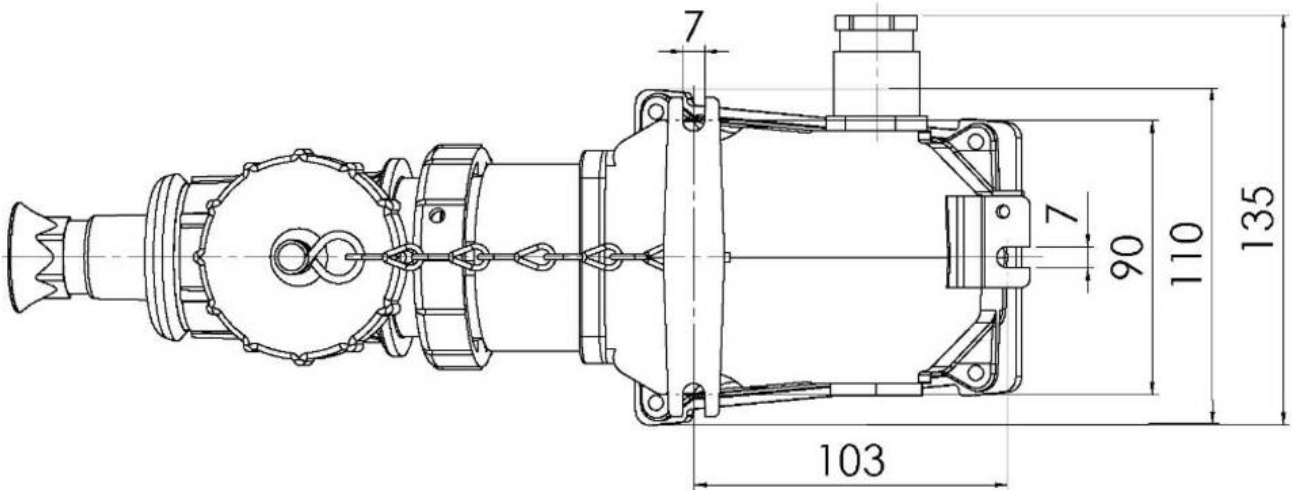
Your Contact:

WISKA Hoppmann GmbH

Kisdorfer Weg 28 · 24568 Kaltenkirchen · Germany

☎ +49-4191-508-0 · 📠 +49-4191-508-209

contact@wiska.de · www.wiska.com



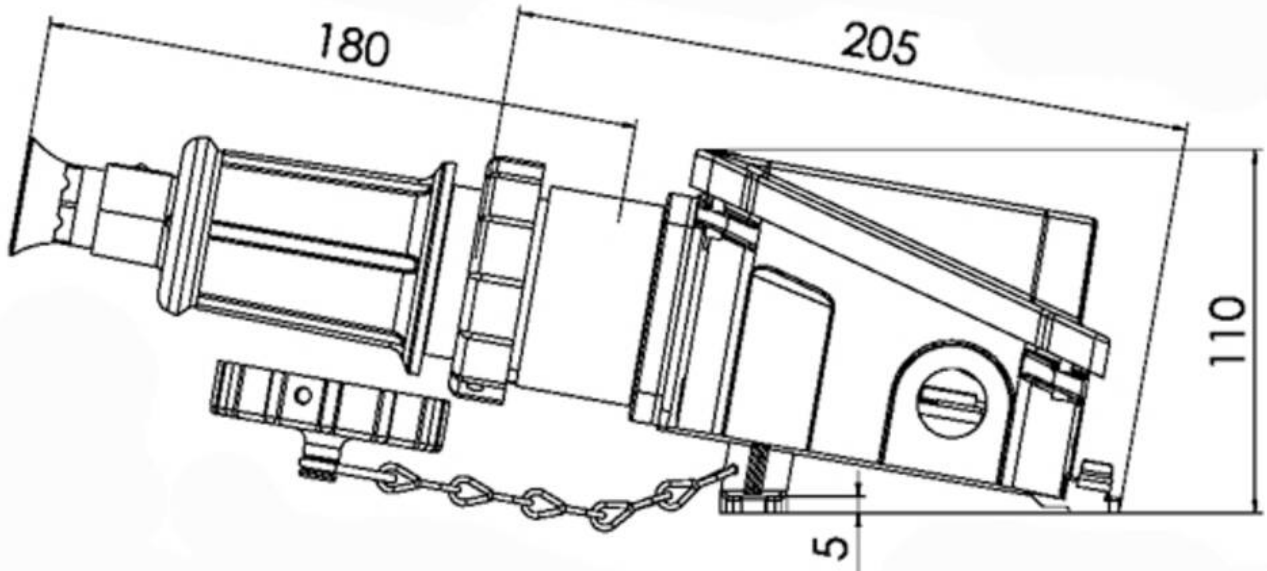
Your Contact:

WISKA Hoppmann GmbH

Kisdorfer Weg 28 · 24568 Kaltenkirchen · Germany

☎ +49-4191-508-0 · 📠 +49-4191-508-209

contact@wiska.de · www.wiska.com



Your Contact:

WISKA Hoppmann GmbH

Kisdorfer Weg 28 · 24568 Kaltenkirchen · Germany

☎ +49-4191-508-0 · 📠 +49-4191-508-209

contact@wiska.de · www.wiska.com