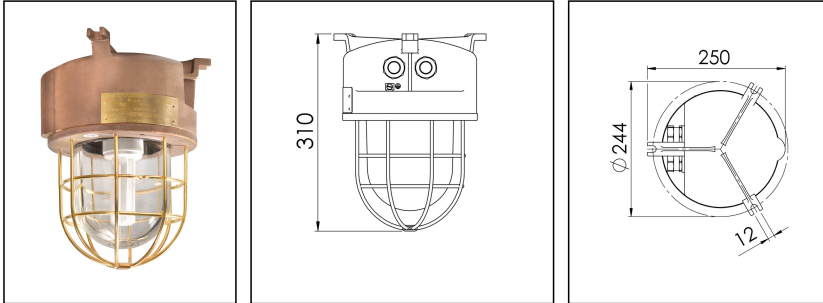



Ex-3314/2/E27/2x20

Ex Light fitting with protection guard brass max. 200W 230V E27, IP66/67



Products may differ in size, colour and appearance to those shown. If you require further information or customisation, please contact us directly.



WISKA-Order no.	10031802
Type	Ex-3314/2/E27/2x20
Material	Brass
Globe colour	Clear
Material guard	Brass
Power[^]	max. 200 W
Voltage	230 V
Voltage max. (V)	250 V
Type of Voltage	AC
Frequence	50/60 Hz
Protection class	IP66 / IP67
Operational areas	Outdoor, Explosion protection
Temp. range min	-40 °C
Temp. range max	55 °C
Lampholder	E27
Number of lampholder	1 ST
Lightsource	Fluorescent lamp
Lightsource incl.	No
Using for cable gland	
Mounting	Upside down, Ceiling
Approval	IECEx TUR 15.0022X, TÜV 14 ATEX 7567 X
Marking	II 2G Ex d IIC T6...T3 Gb, II2D Ex tbIIIC T85...T200°C Db
Explosion Groups	IIC
Temp.-class	max. T6
Zone	1, 21

Your Contact:

WISKA Hoppmann GmbH

Kisdorfer Weg 28 · 24568 Kaltenkirchen · Germany

☎ +49-4191-508-0 · 📠 +49-4191-508-209

contact@wiska.de · www.wiska.com

External dimensions LxWxH	244x255x310mm
Weight	12,69 kg
Tariff number	94051990

Equipment:

- Delivery without cable glands
- The volume of the light fitting 3314 exceeds 2 litres. For flameproof enclosures cable entries have to be selected according to EN 60079-14 (see Technical Principles). Outside the EU please attend to national regulations.
- Appropriate cable glands on request

Remarks:

Light fittings with protection guard,
brass, 3314, up to T6, max. 200W, IP66/67

Ignition protection: d

Explosion protection:

II 2G Ex d IIC T6...T3 Gb

II 2D Ex tb IIIC T85°C...T200°C Db

Zone: 1

Certificates: TÜV 14 ATEX 7567 X

IECEX TUR 15.0022X

Lampholder: E27

Lamp: Fluorescent lamp up to 25W;

Compact fluorescent lamp up to 23W

(not included in delivery)

2 cable entries M20 without

cable glands =O

Spare parts

SP-1100/ST Terminal block	22000348
SP-3351/Gew	22000419
SP-1974/BRS Lampholder E27	22000420
SP-DH 6 Rotary lever	22000421
SP-IPS 6-5 Inner hexagonal key 5mm	22000422

23.05.2026

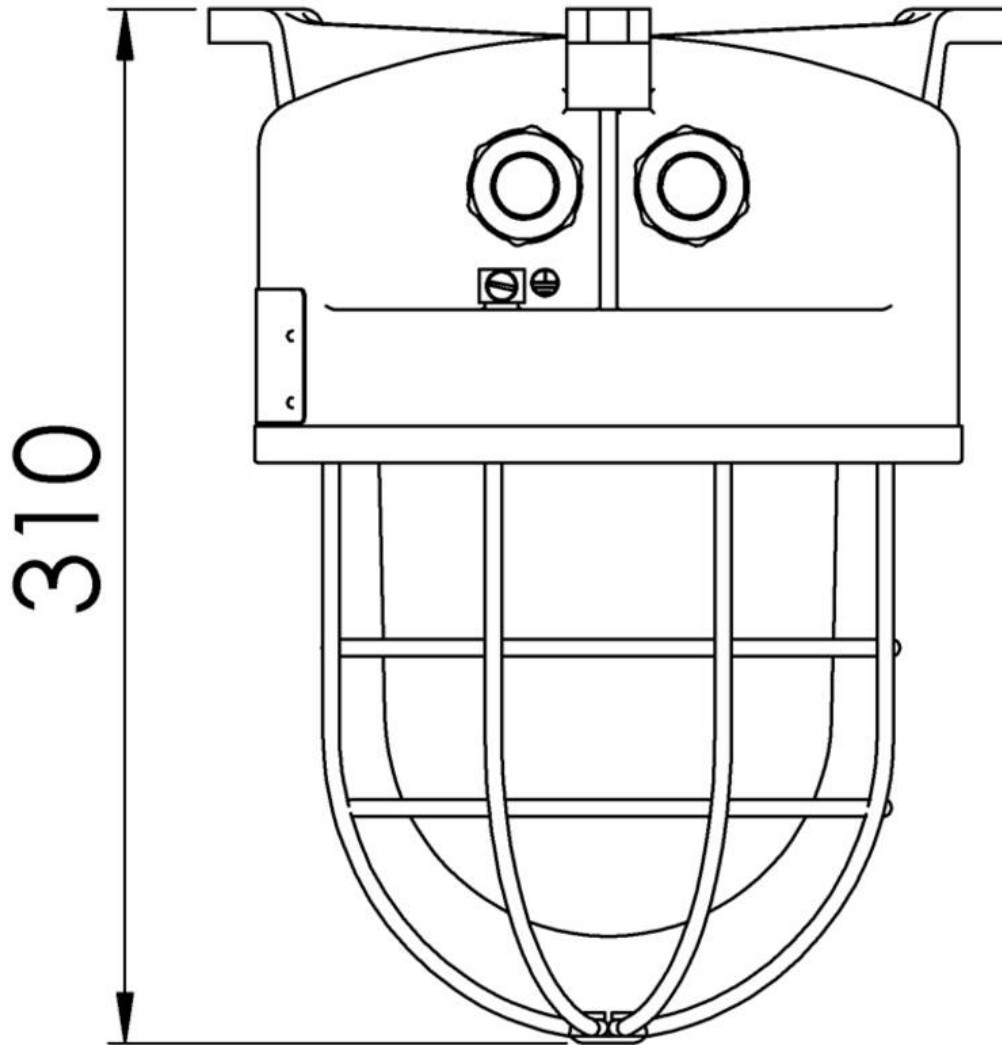
Your Contact:

WISKA Hoppmann GmbH

Kisdorfer Weg 28 · 24568 Kaltenkirchen · Germany

☎ +49-4191-508-0 · 📠 +49-4191-508-209

contact@wiska.de · www.wiska.com



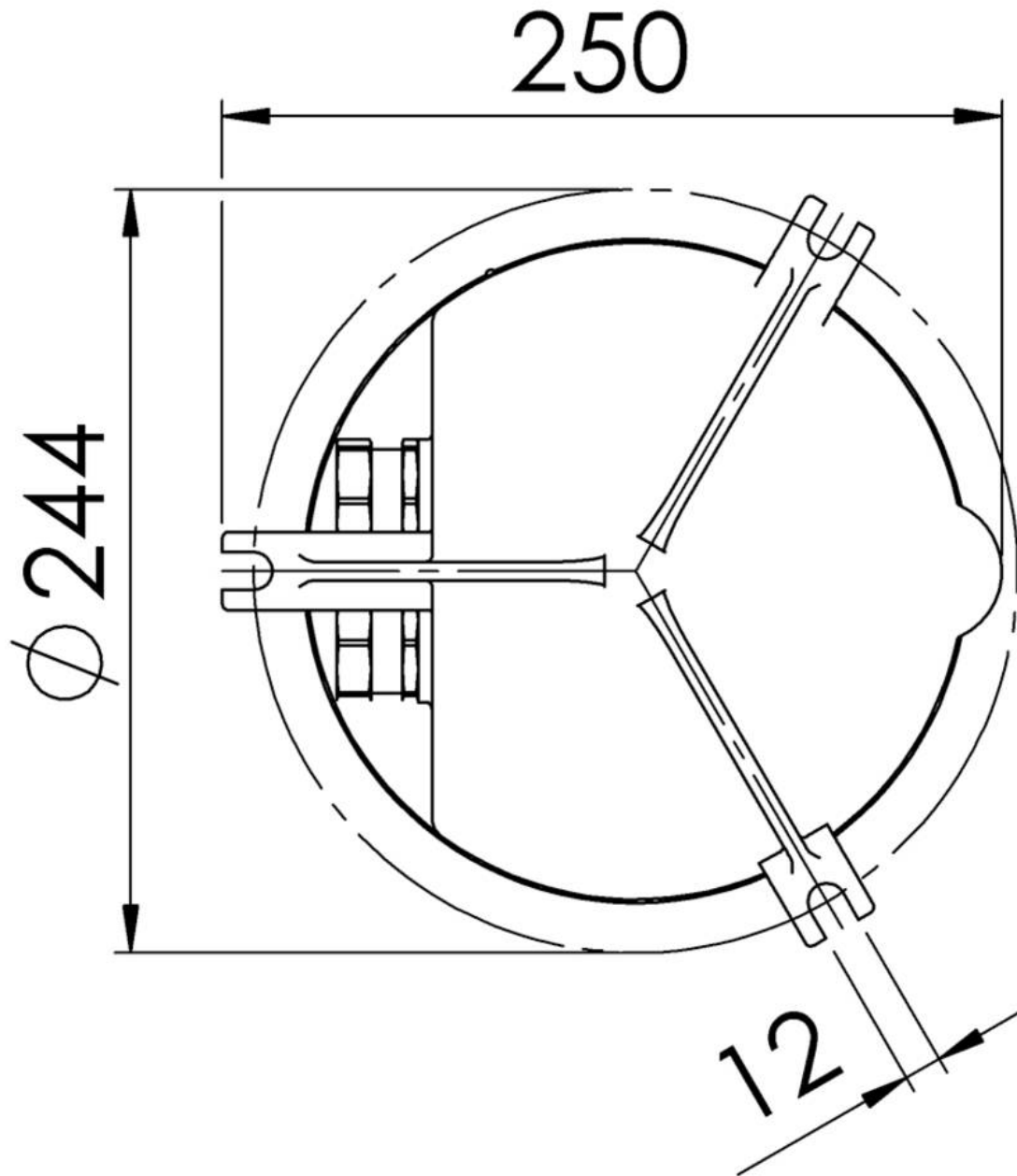
Your Contact:

WISKA Hoppmann GmbH

Kisdorfer Weg 28 · 24568 Kaltenkirchen · Germany

☎ +49-4191-508-0 · 📠 +49-4191-508-209

contact@wiska.de · www.wiska.com



Your Contact:

WISKA Hoppmann GmbH

Kisdorfer Weg 28 · 24568 Kaltenkirchen · Germany

☎ +49-4191-508-0 · 📠 +49-4191-508-209

contact@wiska.de · www.wiska.com