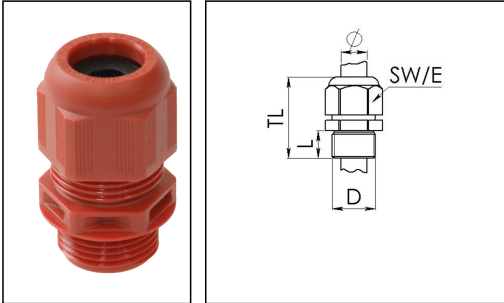


## ESKV 25 RD

Cable gland, polyamide, M25, RAL 3000 with short thread



Products may differ in size, colour and appearance to those shown. If you require further information or customisation, please contact us directly.



<b>Material cable gland</b>	Polyamide
<b>Material sealing gasket</b>	EPDM
<b>Protection class</b>	IP69, IP68 (5 bar 30 min)
<b>Temp. range min</b>	-40 °C
<b>Temp. range max</b>	100 °C
<b>Glow wire test</b>	750 °C
<b>Thread type</b>	M
<b>Ø Connection thread D</b>	25
<b>Lead</b>	1,5
<b>Length screw-in thread L</b>	10 mm
<b>Ø cable diameter min</b>	9 mm
<b>Ø cable diameter max</b>	17 mm
<b>Key width SW</b>	29 mm
<b>Collar diameter (E)</b>	32 mm
<b>Total length TL</b>	38 mm - 47 mm
<b>Type of cable anchorage</b>	A
<b>Install. torques fitting</b>	10 N m
<b>Install. torques fitting/EADR</b>	4 N m
<b>Install. torques cap nut</b>	4 N m
<b>Impact category</b>	4
<b>Product Color</b>	RAL 3000
<b>Type</b>	ESKV 25 RD
<b>WISKA-Order no.</b>	10060456
<b>Packing unit</b>	50
<b>EAN number</b>	4007685604567

Your Contact:

WISKA Hoppmann GmbH

Kisdorfer Weg 28 · 24568 Kaltenkirchen · Germany

☎ +49-4191-508-0 · 📠 +49-4191-508-209

contact@wiska.de · www.wiska.com

<b>Tariff number</b>	39269097
<b>ETIM-Classification</b>	EC000441

## Recommended accessories

<b>MFD 25/02/060</b>	10060452
<b>RDE 25</b>	10060768
<b>MFD 25/02/080</b>	10060952
<b>MFD 25/01/065</b>	10060954
<b>EADR 25</b>	10062804
<b>MFD 25/02/070</b>	10063995
<b>BS 17</b>	10064012
<b>MFD 25/03/070</b>	10064342
<b>MFD 25/04/060</b>	10064343
<b>MFD 25/01/090</b>	10101016
<b>MFD 25/01/105-01/055</b>	10101255
<b>MFD 25/05/056</b>	10102023

23.05.2026

Your Contact:

**WISKA Hoppmann GmbH**

Kisdorfer Weg 28 · 24568 Kaltenkirchen · Germany

☎ +49-4191-508-0 · 📠 +49-4191-508-209

contact@wiska.de · www.wiska.com



Your Contact:

**WISKA Hoppmann GmbH**

Kisdorfer Weg 28 · 24568 Kaltenkirchen · Germany

☎ +49-4191-508-0 · 📠 +49-4191-508-209

contact@wiska.de · www.wiska.com