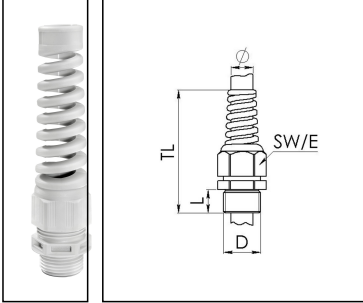


SKVS 9 LG

Cable gland with bend protection, polyamide, Pg 9, RAL 7035



Products may differ in size, colour and appearance to those shown. If you require further information or customisation, please contact us directly.



Material cable gland	Polyamide
Material sealing gasket	EPDM
Protection class	IP69, IP68 (5 bar 30 min)
Temp. range min	-20 °C
Temp. range max	80 °C
Glow wire test	750 °C
Thread type	PG
Ø Connection thread D	9
Length screw-in thread L	8 mm
Ø cable diameter min	4 mm
Ø cable diameter max	8 mm
Key width SW	19 mm
Collar diameter (E)	21 mm
Total length TL	80 mm
Type of cable anchorage	A
Product Color	RAL 7035
Type	SKVS 9 LG
Order no. RAL 7035	10060616
Packing unit	50
EAN number	4007686298253
Tariff number	39269097
ETIM-Classification	EC000441

Your Contact:

WISKA Hoppmann GmbH

Kisdorfer Weg 28 · 24568 Kaltenkirchen · Germany

☎ +49-4191-508-0 · 📠 +49-4191-508-209

contact@wiska.de · www.wiska.com

Recommended accessories

MUG 9 LG	10060671
ADR 9	10061420
RDE 16	10062184
MFD 16/02/040	10064393
MFD 16/03/021	10101014

23.05.2026

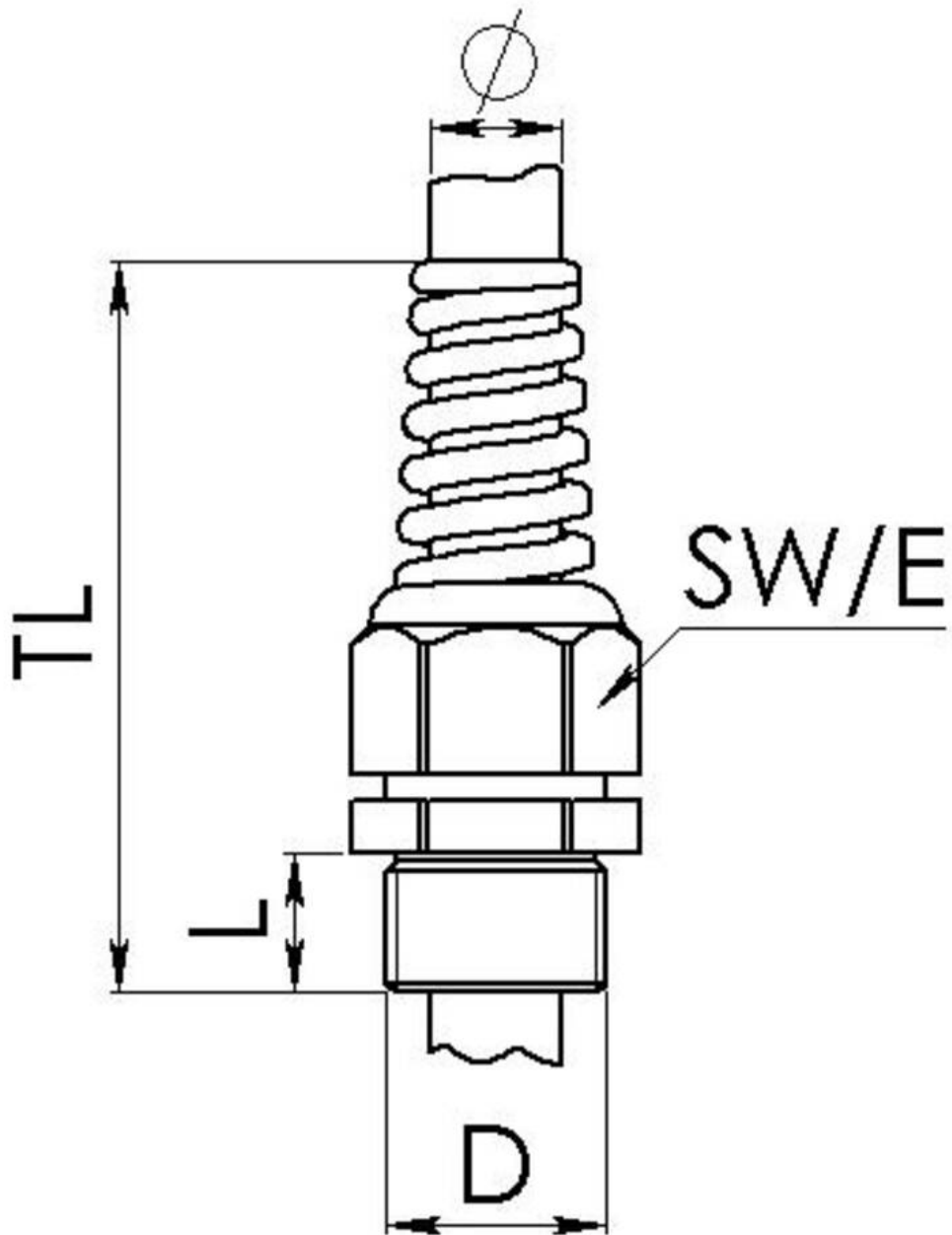
Your Contact:

WISKA Hoppmann GmbH

Kisdorfer Weg 28 · 24568 Kaltenkirchen · Germany

 +49-4191-508-0 ·  +49-4191-508-209

contact@wiska.de · www.wiska.com



Your Contact:

WISKA Hoppmann GmbH

Kisdorfer Weg 28 · 24568 Kaltenkirchen · Germany

☎ +49-4191-508-0 · 📠 +49-4191-508-209

contact@wiska.de · www.wiska.com