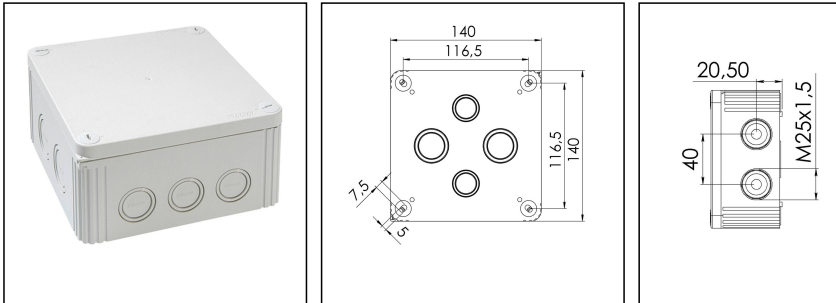



## COMBI IND 1010/5 LG

Junction box 140x140x72mm polypropylene RAL 7035 flat cover, with terminal block



Products may differ in size, colour and appearance to those shown. If you require further information or customisation, please contact us directly.



<b>Material</b>	Polypropylene
<b>Material sealing gasket</b>	TPE
<b>Temp. range min</b>	-30 °C
<b>Temp. range max</b>	100 °C
<b>Temperatures during install.</b>	-5 °C - 60 °C
<b>Protection class</b>	IP66 / IP67
<b>Glow wire test</b>	750 °C
<b>Voltage</b>	690 V
<b>Rated current / A (Terminal)</b>	57 A
<b>Rated cross section</b>	10 mm <sup>2</sup>
<b>Terminals/poles</b>	5-pole, 10,0 mm <sup>2</sup>
<b>Fixing</b>	4 internal openings
<b>Ø cable diameter min</b>	6 mm
<b>Ø cable diameter max</b>	21 mm
<b>External dimensions LxWxH</b>	140 x 140 x 72mm
<b>Using for cable gland</b>	
<b>Product Color</b>	RAL 7035
<b>Order no. RAL 7035</b>	10060705
<b>Type</b>	COMBI IND 1010/5 LG
<b>Packing unit</b>	2
<b>ETIM-Classification</b>	EC002600
<b>EAN number</b>	4007685607056
<b>Tariff number</b>	85369010

Remarks:

Your Contact:

WISKA Hoppmann GmbH

Kisdorfer Weg 28 · 24568 Kaltenkirchen · Germany

☎ +49-4191-508-0 · 📠 +49-4191-508-209

contact@wiska.de · www.wiska.com

IP66: using the QUIXX self sealing membrane screw

IP67: using the knockout entry together with ESKV cable gland

#### Equipment:

- 10 knockouts side 5x M25/M32; 2x M20; 3x M20/M25
- 4 knockouts in the bottom 2x M25/M32; 2x M20/M25
- 4 captive cover screws
- including QUIXX EMS self-sealing membrane screw 2x M25; 1x M32
- including terminal block 5-poles, 10mm<sup>2</sup>

#### Mounting:

4 internal openings outside of the sealing area

#### Recommended accessories

MP-L Mounting plate large COMBI / WHK	10105775
External mounting - COMBI LG	10108836

#### Spare parts

SP-HKT 1010 Terminal block	22000408
----------------------------	----------

23.05.2026

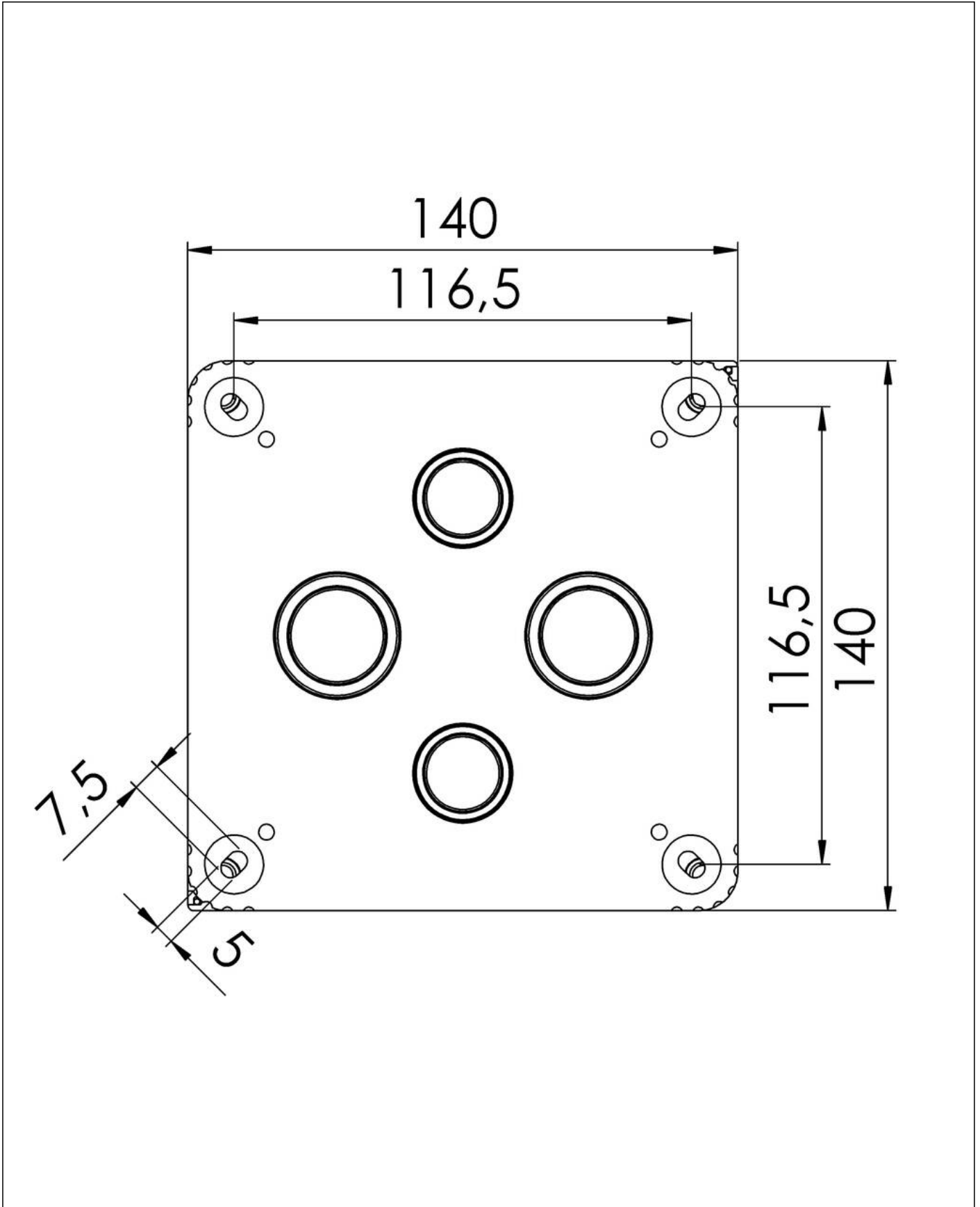
Your Contact:

**WISKA Hoppmann GmbH**

Kisdorfer Weg 28 · 24568 Kaltenkirchen · Germany

☎ +49-4191-508-0 · 📠 +49-4191-508-209

contact@wiska.de · www.wiska.com



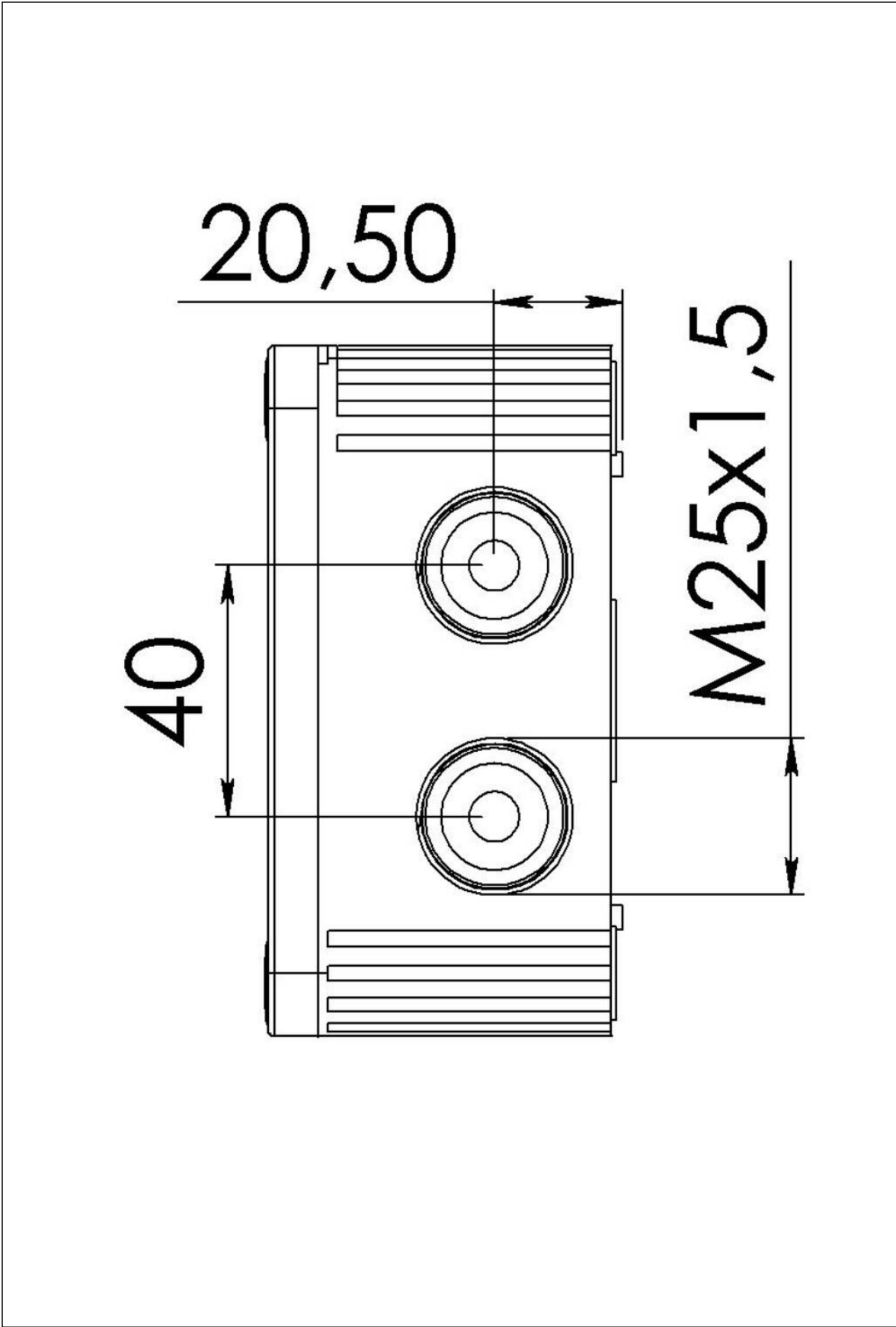
Your Contact:

**WISKA Hoppmann GmbH**

Kisdorfer Weg 28 · 24568 Kaltenkirchen · Germany

☎ +49-4191-508-0 · 📠 +49-4191-508-209

contact@wiska.de · www.wiska.com



Your Contact:  
**WISKA Hoppmann GmbH**  
Kisdorfer Weg 28 · 24568 Kaltenkirchen · Germany  
☎ +49-4191-508-0 · 📠 +49-4191-508-209  
contact@wiska.de · www.wiska.com