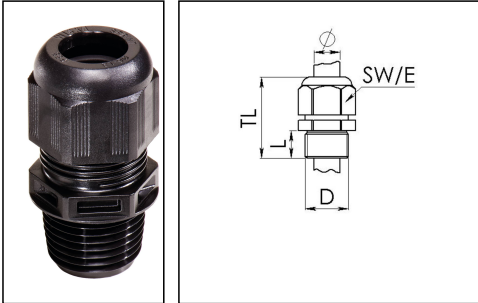


## NSKV 1 BK

Cable gland, polyamide, NPT 1", RAL 9005



Products may differ in size, colour and appearance to those shown. If you require further information or customisation, please contact us directly.



|                          |                           |
|--------------------------|---------------------------|
| Material cable gland     | Polyamide                 |
| Material sealing gasket  | EPDM                      |
| Protection class         | IP69, IP68 (5 bar 30 min) |
| Temp. range min          | -40 °C                    |
| Temp. range max          | 100 °C                    |
| Glow wire test           | 750 °C                    |
| Thread type              | NPT                       |
| Ø Connection thread D    | 1"                        |
| Length screw-in thread L | 15 mm                     |
| Ø cable diameter min     | 13 mm                     |
| Ø cable diameter max     | 21 mm                     |
| Key width SW             | 36 mm                     |
| Collar diameter (E)      | 40 mm                     |
| Total length TL          | 50 mm - 59 mm             |
| Type of cable anchorage  | A                         |
| Install. torques fitting | 15 N m                    |
| Install. torques cap nut | 4 N m                     |
| Impact category          | 4                         |
| Product Color            | RAL 9005                  |
| Type                     | NSKV 1 BK                 |
| Order no. RAL 9005       | 10061041                  |
| Packing unit             | 25                        |
| EAN number               | 4007685610414             |
| Tariff number            | 39269097                  |
| ETIM-Classification      | EC000441                  |

Your Contact:

WISKA Hoppmann GmbH

Kisdorfer Weg 28 · 24568 Kaltenkirchen · Germany

☎ +49-4191-508-0 · 📠 +49-4191-508-209

contact@wiska.de · www.wiska.com

**Recommended accessories**

|               |          |
|---------------|----------|
| <b>RDE 32</b> | 10062186 |
| <b>BS 21</b>  | 10064014 |

23.05.2026

Your Contact:

**WISKA Hoppmann GmbH**

Kisdorfer Weg 28 · 24568 Kaltenkirchen · Germany

 +49-4191-508-0 ·  +49-4191-508-209

[contact@wiska.de](mailto:contact@wiska.de) · [www.wiska.com](http://www.wiska.com)



Your Contact:

**WISKA Hoppmann GmbH**

Kisdorfer Weg 28 · 24568 Kaltenkirchen · Germany

☎ +49-4191-508-0 · 📠 +49-4191-508-209

contact@wiska.de · www.wiska.com