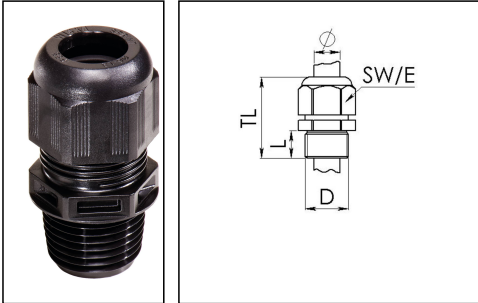


NSKV 1 1/4 LT BK

Cable gland LowTemp, polyamide, NPT 1 1/4", RAL 9005



Products may differ in size, colour and appearance to those shown. If you require further information or customisation, please contact us directly.



| | |
|---------------------------------|---------------------------|
| Material cable gland | Polyamide |
| Material sealing gasket | Silicone |
| Protection class | IP69, IP68 (5 bar 30 min) |
| Temp. range min | -60 °C |
| Temp. range max | 100 °C |
| Glow wire test | 750 °C |
| Thread type | NPT |
| Ø Connection thread D | 1 1/4" |
| Length screw-in thread L | 18 mm |
| Ø cable diameter min | 16 mm |
| Ø cable diameter max | 28 mm |
| Key width SW | 46 mm |
| Collar diameter (E) | 51 mm |
| Total length TL | 60 mm - 72 mm |
| Type of cable anchorage | A |
| Install. torques fitting | 20 N m |
| Install. torques cap nut | 20 N m |
| Product Color | RAL 9005 |
| Type | NSKV 1 1/4 LT BK |
| Order no. RAL 9005 | 10061910 |
| Packing unit | 10 |
| EAN number | 4007685619103 |
| Tariff number | 39269097 |
| ETIM-Classification | EC000441 |

Your Contact:

WISKA Hoppmann GmbH

Kisdorfer Weg 28 · 24568 Kaltenkirchen · Germany

☎ +49-4191-508-0 · 📠 +49-4191-508-209

contact@wiska.de · www.wiska.com

Recommended accessories

| | |
|----------------------|----------|
| RDE 40 LT | 10063960 |
| BS 28 | 10064016 |
| EADR 40/90 LT | 10105709 |

23.05.2026

Your Contact:

WISKA Hoppmann GmbH

Kisdorfer Weg 28 · 24568 Kaltenkirchen · Germany

☎ +49-4191-508-0 · 📠 +49-4191-508-209

contact@wiska.de · www.wiska.com



Your Contact:

WISKA Hoppmann GmbH

Kisdorfer Weg 28 · 24568 Kaltenkirchen · Germany

☎ +49-4191-508-0 · 📠 +49-4191-508-209

contact@wiska.de · www.wiska.com