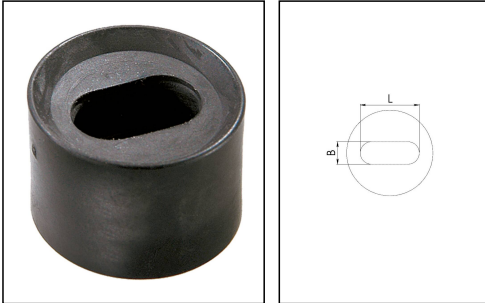


FFD 20/01/056-102

Sealing for flat cable



Products may differ in size, colour and appearance to those shown. If you require further information or customisation, please contact us directly.



Material	Thermoplastic elastomer
Temp. range min	-40 °C
Temp. range max	100 °C
Protection class	IP66
Thickness flat cable B min	4,6 mm
Thickness flat cable B max	5,6 mm
Flat cable width L min	9,7 mm
Flat cable width L max	10,2 mm
Quantity of cable	1
Using for cable gland	SPRINT 20
Product Color	RAL 9005
Order no. RAL 9005	10064322
Type	FFD 20/01/056-102
Packing unit	25
EAN number	4007685643221
Tariff number	39269097
ETIM-Classification	EC000441

12.05.2026

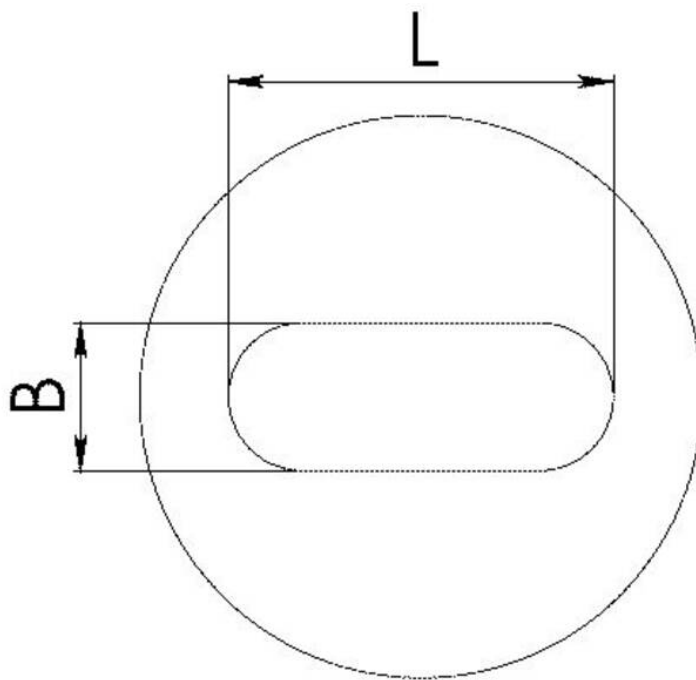
Your Contact:

WISKA Hoppmann GmbH

Kisdorfer Weg 28 · 24568 Kaltenkirchen · Germany

☎ +49-4191-508-0 · 📠 +49-4191-508-209

contact@wiska.de · www.wiska.com



Your Contact:

WISKA Hoppmann GmbH

Kisdorfer Weg 28 · 24568 Kaltenkirchen · Germany

☎ +49-4191-508-0 · 📠 +49-4191-508-209

contact@wiska.de · www.wiska.com