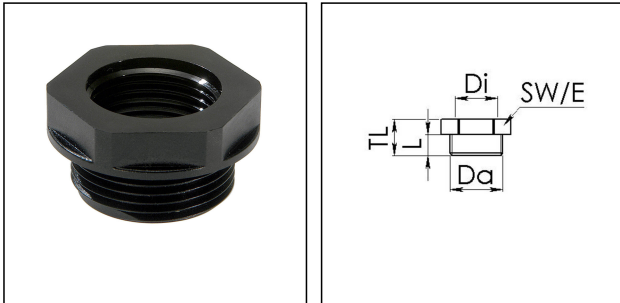


## EX-APM 48/25

Ex-adaptor, polyamide, Pg48-M25



Products may differ in size, colour and appearance to those shown. If you require further information or customisation, please contact us directly.



<b>Material</b>	Polyamide, fibre reinforced
<b>Material sealing gasket</b>	EPDM
<b>Temp. range min</b>	-40 °C
<b>Temp. range max</b>	75 °C
<b>Protection class</b>	IP66 / IP68 (5 bar 30 min)
<b>Type of protection</b>	Ex eb, Ex tb
<b>Ex-Certificate</b>	IECEx, ATEX
<b>Thread type outer</b>	PG
<b>Ø outer thread</b>	48
<b>Length screw-in thread L</b>	15 mm
<b>Thread type inner</b>	M
<b>Ø inner thread</b>	25
<b>Lead inner</b>	1,5
<b>Key width SW</b>	65 mm
<b>Collar diameter (E)</b>	73 mm
<b>Total length TL</b>	22 mm
<b>Form</b>	B
<b>Product Color</b>	RAL 9005
<b>Equipment</b>	Incl. connection thread gasket
<b>Order no. RAL 9005</b>	10064784
<b>Type</b>	EX-APM 48/25
<b>Packing unit</b>	5
<b>EAN number</b>	4007685647847
<b>Tariff number</b>	39269097
<b>ETIM-Classification</b>	EC000938

Your Contact:

WISKA Hoppmann GmbH

Kisdorfer Weg 28 · 24568 Kaltenkirchen · Germany

☎ +49-4191-508-0 · 📠 +49-4191-508-209

contact@wiska.de · www.wiska.com

**Recommended accessories**

**MUG 48 BK**

10060689

12.05.2026

Your Contact:

**WISKA Hoppmann GmbH**

Kisdorfer Weg 28 · 24568 Kaltenkirchen · Germany

 +49-4191-508-0 ·  +49-4191-508-209

contact@wiska.de · www.wiska.com



Your Contact:

**WISKA Hoppmann GmbH**

Kisdorfer Weg 28 · 24568 Kaltenkirchen · Germany

☎ +49-4191-508-0 · 📠 +49-4191-508-209

contact@wiska.de · www.wiska.com