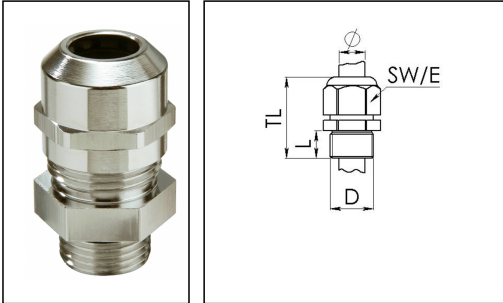


MMSKV 18/Ni

Cable gland, brass nickel-plated, DIN 89285, M18



Products may differ in size, colour and appearance to those shown. If you require further information or customisation, please contact us directly.



| | |
|---------------------------------|---------------------------|
| Material cable gland | Brass nickel-plated |
| Material clamping cage | Polyamide |
| Material sealing gasket | EPDM |
| Temp. range min | -40 °C |
| Temp. range max | 100 °C |
| Protection class | IP68 (5 bar 30 min), IP69 |
| Thread type | M |
| Ø Connection thread D | 18 |
| Lead | 1,5 |
| Length screw-in thread L | 10 mm |
| Ø cable diameter min | 6 mm |
| Ø cable diameter max | 13 mm |
| Key width SW | 24 mm |
| Collar diameter (E) | 27 mm |
| Total length TL | 33 mm - 41 mm |
| Type of cable anchorage | A |
| Install. torques fitting | 8 N m |
| Install. torques cap nut | 8 N m |
| Impact category | 6 |
| Surface | Nickel-plated |
| Order no. nickel-plated | 10065109 |
| Type | MMSKV 18/Ni |
| Packing unit | 1 |
| Tariff number | 74198090 |
| EAN number | 4007685651097 |

Your Contact:

WISKA Hoppmann GmbH

Kisdorfer Weg 28 · 24568 Kaltenkirchen · Germany

☎ +49-4191-508-0 · 📠 +49-4191-508-209

contact@wiska.de · www.wiska.com

ETIM-Classification

EC000441

Recommended accessories

| | |
|---------------|----------|
| GM 18/Ni | 10012963 |
| MFD 20/02/065 | 10060953 |
| RDE 20 | 10062185 |
| MFD 20/03/040 | 10064341 |
| MFD 20/02/060 | 10064395 |
| MFD 20/02/050 | 10101015 |
| MFD 20/03/045 | 10102306 |

23.05.2026

Your Contact:

WISKA Hoppmann GmbH

Kisdorfer Weg 28 · 24568 Kaltenkirchen · Germany

☎ +49-4191-508-0 · 📠 +49-4191-508-209

contact@wiska.de · www.wiska.com



Your Contact:

WISKA Hoppmann GmbH

Kisdorfer Weg 28 · 24568 Kaltenkirchen · Germany

☎ +49-4191-508-0 · 📠 +49-4191-508-209

contact@wiska.de · www.wiska.com