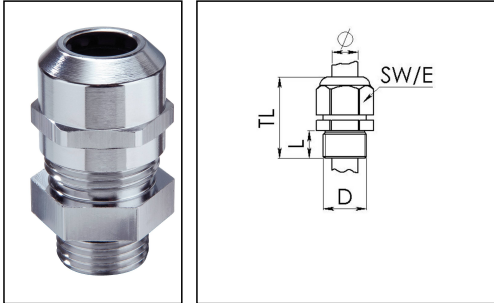


MMSKV 30/Cr

Cable gland, brass chromed-plated, DIN 89285, M30



Products may differ in size, colour and appearance to those shown. If you require further information or customisation, please contact us directly.



| | |
|---------------------------------|---------------------------|
| Material cable gland | Brass chromium-plated |
| Material clamping cage | Polyamide |
| Material sealing gasket | EPDM |
| Temp. range min | -40 °C |
| Temp. range max | 100 °C |
| Protection class | IP68 (5 bar 30 min), IP69 |
| Thread type | M |
| Ø Connection thread D | 30 |
| Lead | 2 |
| Length screw-in thread L | 12 mm |
| Ø cable diameter min | 13 mm |
| Ø cable diameter max | 21 mm |
| Key width SW | 36 mm |
| Collar diameter (E) | 40 mm |
| Total length TL | 40 mm - 48 mm |
| Type of cable anchorage | A |
| Install. torques fitting | 20 N m |
| Install. torques cap nut | 15 N m |
| Impact category | 6 |
| Surface | Chromium-plated |
| Order no. chrome-plated | 10065118 |
| Type | MMSKV 30/Cr |
| Packing unit | 1 |
| Tariff number | 74198090 |
| EAN number | 4007685651189 |

Your Contact:

WISKA Hoppmann GmbH

Kisdorfer Weg 28 · 24568 Kaltenkirchen · Germany

☎ +49-4191-508-0 · 📠 +49-4191-508-209

contact@wiska.de · www.wiska.com

ETIM-Classification

EC000441

Recommended accessories

| | |
|----------------------|----------|
| GM 30/Cr | 10011531 |
| RDE 32 | 10062186 |
| MFD 32/04/070 | 10064344 |
| MFD 32/06/060 | 10064345 |
| MFD 32/04/080 | 10064950 |
| MFD 32/03/080 | 10101018 |
| MFD 32/05/070 | 10101140 |
| MFD 32/01/115-01/085 | 10101256 |
| MFD 32/03/065 | 10102169 |
| MFD 32/03/090 | 10102170 |

23.05.2026

Your Contact:

WISKA Hoppmann GmbH

Kisdorfer Weg 28 · 24568 Kaltenkirchen · Germany

☎ +49-4191-508-0 · 📠 +49-4191-508-209

contact@wiska.de · www.wiska.com



Your Contact:

WISKA Hoppmann GmbH

Kisdorfer Weg 28 · 24568 Kaltenkirchen · Germany

☎ +49-4191-508-0 · 📠 +49-4191-508-209

contact@wiska.de · www.wiska.com