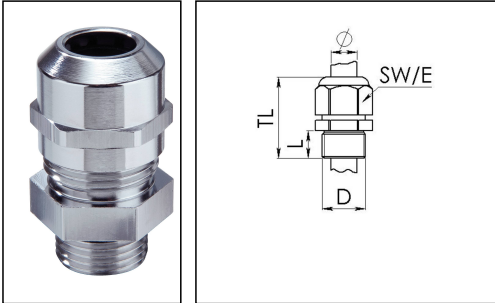


## MMSKV 56/Cr

Cable gland, brass chromed-plated, DIN 89285, M56



Products may differ in size, colour and appearance to those shown. If you require further information or customisation, please contact us directly.



<b>Material cable gland</b>	Brass chromium-plated
<b>Material clamping cage</b>	Polyamide
<b>Material sealing gasket</b>	EPDM
<b>Temp. range min</b>	-40 °C
<b>Temp. range max</b>	100 °C
<b>Protection class</b>	IP68 (5 bar 30 min), IP69
<b>Thread type</b>	M
<b>Ø Connection thread D</b>	56
<b>Lead</b>	2
<b>Length screw-in thread L</b>	15 mm
<b>Ø cable diameter min</b>	34 mm
<b>Ø cable diameter max</b>	48 mm
<b>Key width SW</b>	68 mm
<b>Collar diameter (E)</b>	75 mm
<b>Total length TL</b>	61 mm - 72 mm
<b>Type of cable anchorage</b>	A
<b>Install. torques fitting</b>	40 N m
<b>Install. torques cap nut</b>	40 N m
<b>Impact category</b>	6
<b>Surface</b>	Chromium-plated
<b>Order no. chrome-plated</b>	10065121
<b>Type</b>	MMSKV 56/Cr
<b>Packing unit</b>	1
<b>Tariff number</b>	74198090
<b>EAN number</b>	4007685651219

Your Contact:

WISKA Hoppmann GmbH

Kisdorfer Weg 28 · 24568 Kaltenkirchen · Germany

☎ +49-4191-508-0 · 📠 +49-4191-508-209

contact@wiska.de · www.wiska.com

ETIM-Classification

EC000441

## Recommended accessories

<b>GM 56/Cr</b>	10011528
<b>RDE 63</b>	10062189
<b>MFD 63/01/131-01/118-03/084-02/064</b>	10101114
<b>MFD 63/03/065</b>	10101201
<b>MFD 63/02/065-01/090</b>	10101223

23.05.2026

Your Contact:

**WISKA Hoppmann GmbH**

Kisdorfer Weg 28 · 24568 Kaltenkirchen · Germany

☎ +49-4191-508-0 · 📠 +49-4191-508-209

contact@wiska.de · www.wiska.com



Your Contact:

**WISKA Hoppmann GmbH**

Kisdorfer Weg 28 · 24568 Kaltenkirchen · Germany

☎ +49-4191-508-0 · 📠 +49-4191-508-209

contact@wiska.de · www.wiska.com