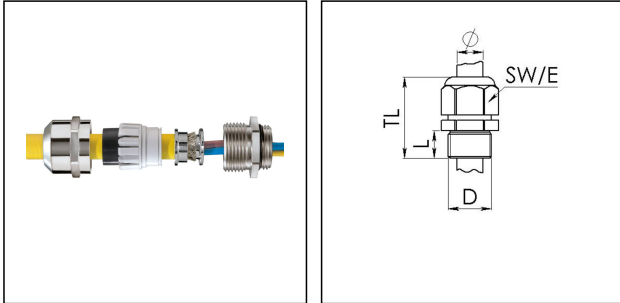


MMSKV 30 EMV-Z/Cr

Cable gland DIN 89285, brass chromed-plated, earthing cones DIN 89345, M30



Products may differ in size, colour and appearance to those shown. If you require further information or customisation, please contact us directly.



Material cable gland	Brass chromium-plated
Material clamping cage	Polyamide
Material sealing gasket	EPDM
Material earthing insert	Brass chromium-plated
Temp. range min	-40 °C
Temp. range max	100 °C
Protection class	IP68 (5 bar 30 min), IP69
Thread type	M
Ø Connection thread D	30
Lead	2
Length screw-in thread L	12 mm
Ø cable diameter min	13 mm
Ø cable diameter max	21 mm
Key width SW	36 mm
Total length TL	40 mm - 48 mm
Type of cable anchorage	A
Install. torques fitting	20 N m
Install. torques cap nut	15 N m
Impact category	6
Surface	Chromium-plated
Order no. chrome-plated	10065139
Type	MMSKV 30 EMV-Z/Cr
Packing unit	1
Tariff number	85369010
EAN number	4007685651394

Your Contact:

WISKA Hoppmann GmbH

Kisdorfer Weg 28 · 24568 Kaltenkirchen · Germany

☎ +49-4191-508-0 · 📠 +49-4191-508-209

contact@wiska.de · www.wiska.com

ETIM-Classification

EC000441

Recommended accessories

GM 30/Cr	10011531
RDE 32	10062186
BS 21	10064014
MFD 32/04/070	10064344
MFD 32/06/060	10064345
MFD 32/04/080	10064950
MFD 32/03/080	10101018
MFD 32/05/070	10101140
MFD 32/01/115-01/085	10101256
MFD 32/03/065	10102169
MFD 32/03/090	10102170

23.05.2026

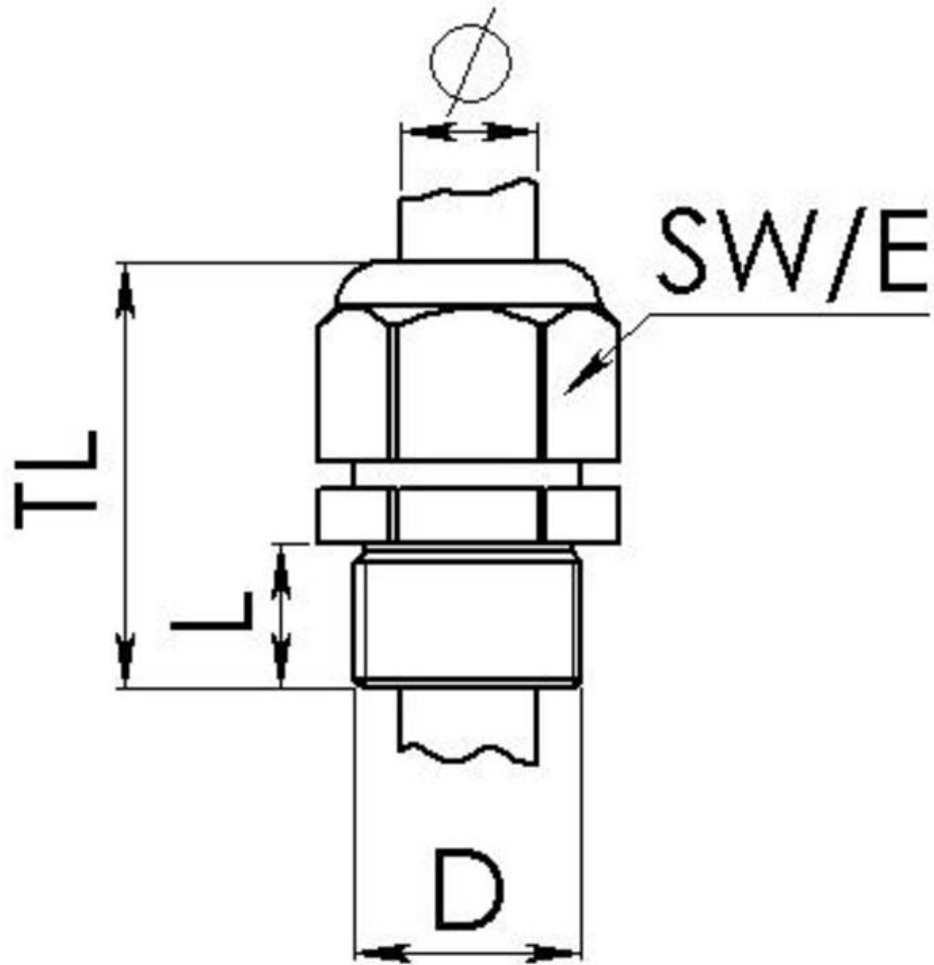
Your Contact:

WISKA Hoppmann GmbH

Kisdorfer Weg 28 · 24568 Kaltenkirchen · Germany

☎ +49-4191-508-0 · 📠 +49-4191-508-209

contact@wiska.de · www.wiska.com



Your Contact:

WISKA Hoppmann GmbH

Kisdorfer Weg 28 · 24568 Kaltenkirchen · Germany

☎ +49-4191-508-0 · 📠 +49-4191-508-209

contact@wiska.de · www.wiska.com