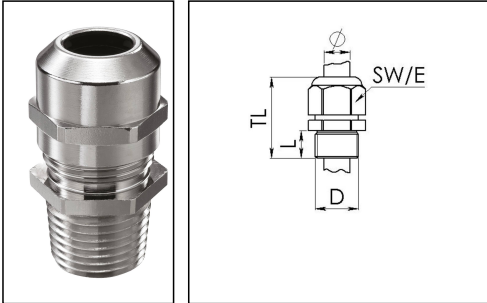


## NMSKV 1 1/4

Cable gland, brass nickel-plated, NPT 1 1/4"



Products may differ in size, colour and appearance to those shown. If you require further information or customisation, please contact us directly.



|                                 |                           |
|---------------------------------|---------------------------|
| <b>Material cable gland</b>     | Brass nickel-plated       |
| <b>Material clamping cage</b>   | Polyamide                 |
| <b>Material sealing gasket</b>  | EPDM                      |
| <b>Temp. range min</b>          | -40 °C                    |
| <b>Temp. range max</b>          | 100 °C                    |
| <b>Protection class</b>         | IP69, IP68 (5 bar 30 min) |
| <b>Thread type</b>              | NPT                       |
| <b>Ø Connection thread D</b>    | 1 1/4"                    |
| <b>Length screw-in thread L</b> | 20 mm                     |
| <b>Ø cable diameter min</b>     | 16 mm                     |
| <b>Ø cable diameter max</b>     | 28 mm                     |
| <b>Key width SW</b>             | 46 mm                     |
| <b>Collar diameter (E)</b>      | 50 mm                     |
| <b>Total length TL</b>          | 50 mm - 58 mm             |
| <b>Type of cable anchorage</b>  | A                         |
| <b>Install. torques fitting</b> | 20 N m                    |
| <b>Install. torques cap nut</b> | 20 N m                    |
| <b>Impact category</b>          | 6                         |
| <b>Surface</b>                  | Nickel-plated             |
| <b>Order no. nickel-plated</b>  | 10065485                  |
| <b>Packing unit</b>             | 10                        |
| <b>Type</b>                     | NMSKV 1 1/4               |
| <b>Tariff number</b>            | 74198090                  |
| <b>EAN number</b>               | 4007685654852             |
| <b>ETIM-Classification</b>      | EC000441                  |

Your Contact:

WISKA Hoppmann GmbH

Kisdorfer Weg 28 · 24568 Kaltenkirchen · Germany

☎ +49-4191-508-0 · 📠 +49-4191-508-209

contact@wiska.de · www.wiska.com

**Remarks:**

When using a locknut NMMU, an additional connection thread gasket EADR must be used to achieve protection class IP69 / IP68.

**Recommended accessories**

|               |          |
|---------------|----------|
| RDE 40        | 10062187 |
| EADR 40       | 10062806 |
| BS 28         | 10064016 |
| MFD 40/08/060 | 10064346 |
| MFD 40/07/080 | 10064347 |
| MFD 40/07/070 | 10064348 |
| NMMU 1 1/4    | 10100977 |
| MFD 40/04/100 | 10101017 |
| MFD 40/09/069 | 10101427 |
| MFD 40/03/125 | 10102054 |
| MFD 40/06/065 | 10102171 |
| MFD 40/06/090 | 10102172 |

12.05.2026

Your Contact:

**WISKA Hoppmann GmbH**

Kisdorfer Weg 28 · 24568 Kaltenkirchen · Germany

☎ +49-4191-508-0 · 📠 +49-4191-508-209

contact@wiska.de · www.wiska.com



Your Contact:

**WISKA Hoppmann GmbH**

Kisdorfer Weg 28 · 24568 Kaltenkirchen · Germany

☎ +49-4191-508-0 · 📠 +49-4191-508-209

contact@wiska.de · www.wiska.com