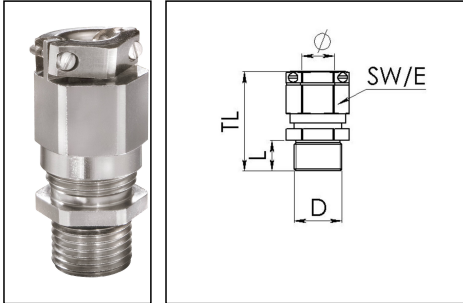


EMSKVZ-L 20

Cable gland long, brass nickel-plated, M20, with external strain relief



Products may differ in size, colour and appearance to those shown. If you require further information or customisation, please contact us directly.



Material cable gland	Brass nickel-plated
Material clamping cage	Polyamide
Material sealing gasket	EPDM
Temp. range min	-40 °C
Temp. range max	100 °C
Protection class	IP68 (5 bar 30 min), IP69
Thread type	M
Ø Connection thread D	20
Lead	1,5
Length screw-in thread L	12 mm
Ø cable diameter min	6 mm
Ø cable diameter max	13 mm
Key width SW	24 mm
Collar diameter (E)	27 mm
Total length TL	43 mm - 51 mm
Type of cable anchorage	B
Install. torques fitting	8 N m
Install. torques cap nut	8 N m
Impact category	6
Torque clamp srew	0,4 N m
Surface	Nickel-plated
Order no. nickel-plated	10065861
Packing unit	25
Type	EMSKVZ-L 20
Tariff number	74198090

Your Contact:

WISKA Hoppmann GmbH

Kisdorfer Weg 28 · 24568 Kaltenkirchen · Germany

☎ +49-4191-508-0 · 📠 +49-4191-508-209

contact@wiska.de · www.wiska.com

EAN number	4007685658614
ETIM-Classification	EC000441

Recommended accessories

RDE 20	10062185
EMMU 20	10063143
BS 13	10064010

23.05.2026

Your Contact:
WISKA Hoppmann GmbH
Kisdorfer Weg 28 · 24568 Kaltenkirchen · Germany
 +49-4191-508-0 ·  +49-4191-508-209
contact@wiska.de · www.wiska.com

