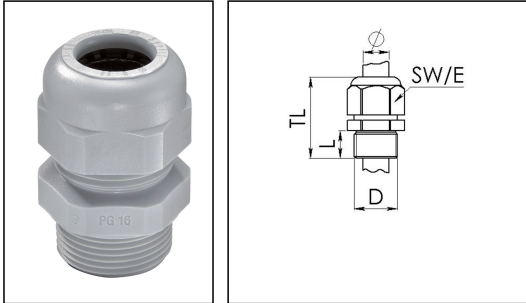


## SKV 42 SG

Cable gland, polyamide, Pg 42 RAL 7001



Products may differ in size, colour and appearance to those shown. If you require further information or customisation, please contact us directly.



<b>Material cable gland</b>	Polyamide
<b>Material sealing gasket</b>	EPDM
<b>Protection class</b>	IP68 (5 bar 30 min)
<b>Temp. range min</b>	-40 °C
<b>Temp. range max</b>	100 °C
<b>Glow wire test</b>	750 °C
<b>Thread type</b>	PG
<b>Ø Connection thread D</b>	42
<b>Length screw-in thread L</b>	14 mm
<b>Ø cable diameter min</b>	28 mm
<b>Ø cable diameter max</b>	38 mm
<b>Key width SW</b>	60 mm
<b>Collar diameter (E)</b>	67 mm
<b>Total length TL</b>	58 mm - 67 mm
<b>Type of cable anchorage</b>	A
<b>Product Color</b>	RAL 7001
<b>Type</b>	SKV 42 SG
<b>Order no. RAL 7001</b>	10066009
<b>Packing unit</b>	5
<b>EAN number</b>	4007685660099
<b>Tariff number</b>	39269097
<b>ETIM-Classification</b>	EC000441

Your Contact:

WISKA Hoppmann GmbH

Kisdorfer Weg 28 · 24568 Kaltenkirchen · Germany

☎ +49-4191-508-0 · 📠 +49-4191-508-209

contact@wiska.de · www.wiska.com

**Recommended accessories**

<b>ADR 42</b>	10061427
<b>BS 38</b>	10064018

07.07.2026

Your Contact:

**WISKA Hoppmann GmbH**

Kisdorfer Weg 28 · 24568 Kaltenkirchen · Germany

 +49-4191-508-0 ·  +49-4191-508-209

contact@wiska.de · www.wiska.com



Your Contact:

**WISKA Hoppmann GmbH**

Kisdorfer Weg 28 · 24568 Kaltenkirchen · Germany

☎ +49-4191-508-0 · 📠 +49-4191-508-209

contact@wiska.de · www.wiska.com