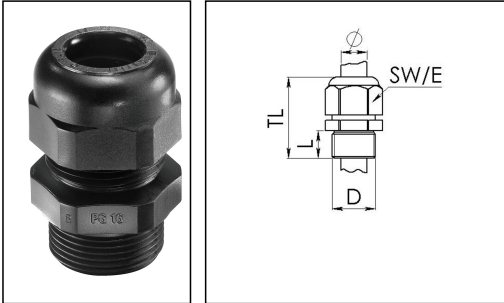


SKV 21 BK

Cable gland, polyamide, Pg 21, RAL 9005



Products may differ in size, colour and appearance to those shown. If you require further information or customisation, please contact us directly.



Material cable gland	Polyamide
Material sealing gasket	EPDM
Protection class	IP68 (5 bar 30 min)
Temp. range min	-40 °C
Temp. range max	100 °C
Glow wire test	750 °C
Thread type	PG
Ø Connection thread D	21
Length screw-in thread L	11 mm
Ø cable diameter min	10 mm
Ø cable diameter max	18 mm
Key width SW	33 mm
Collar diameter (E)	36 mm
Total length TL	43 mm - 50 mm
Type of cable anchorage	A
Install. torques fitting	7,5 N m
Install. torques cap nut	5 N m
Product Color	RAL 9005
Type	SKV 21 BK
Order no. RAL 9005	10066196
Packing unit	25
EAN number	4007685661966
Tariff number	39269097
ETIM-Classification	EC000441

Your Contact:

WISKA Hoppmann GmbH

Kisdorfer Weg 28 · 24568 Kaltenkirchen · Germany

☎ +49-4191-508-0 · 📠 +49-4191-508-209

contact@wiska.de · www.wiska.com

Recommended accessories

MUG 21 BK	10060685
ADR 21	10061424
BS 17	10064012

23.05.2026

Your Contact:

WISKA Hoppmann GmbH

Kisdorfer Weg 28 · 24568 Kaltenkirchen · Germany

☎ +49-4191-508-0 · 📠 +49-4191-508-209

contact@wiska.de · www.wiska.com



Your Contact:

WISKA Hoppmann GmbH

Kisdorfer Weg 28 · 24568 Kaltenkirchen · Germany

☎ +49-4191-508-0 · 📠 +49-4191-508-209

contact@wiska.de · www.wiska.com