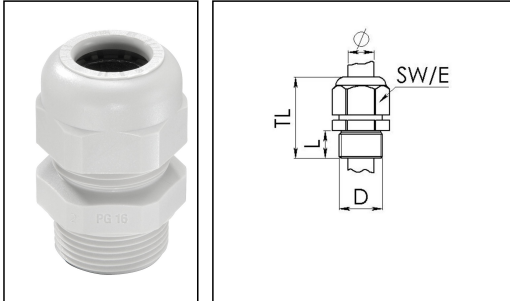


SKV 29 LG

Cable gland, polyamide, Pg 29, RAL 7035



Products may differ in size, colour and appearance to those shown. If you require further information or customisation, please contact us directly.



Material cable gland	Polyamide
Material sealing gasket	EPDM
Protection class	IP68 (5 bar 30 min)
Temp. range min	-40 °C
Temp. range max	100 °C
Glow wire test	750 °C
Thread type	PG
Ø Connection thread D	29
Length screw-in thread L	12 mm
Ø cable diameter min	16 mm
Ø cable diameter max	25 mm
Key width SW	42 mm
Collar diameter (E)	46 mm
Total length TL	47 mm - 56 mm
Type of cable anchorage	A
Product Color	RAL 7035
Type	SKV 29 LG
Order no. RAL 7035	10066406
Packing unit	20
EAN number	4007685664066
Tariff number	39269097
ETIM-Classification	EC000441

Your Contact:

WISKA Hoppmann GmbH

Kisdorfer Weg 28 · 24568 Kaltenkirchen · Germany

☎ +49-4191-508-0 · 📠 +49-4191-508-209

contact@wiska.de · www.wiska.com

Recommended accessories



MUG 29 LG	10060676
ADR 29	10061425
BS 25	10064015

23.05.2026

Your Contact:

WISKA Hoppmann GmbH

Kisdorfer Weg 28 · 24568 Kaltenkirchen · Germany

 +49-4191-508-0 ·  +49-4191-508-209

contact@wiska.de · www.wiska.com



Your Contact:

WISKA Hoppmann GmbH

Kisdorfer Weg 28 · 24568 Kaltenkirchen · Germany

☎ +49-4191-508-0 · 📠 +49-4191-508-209

contact@wiska.de · www.wiska.com