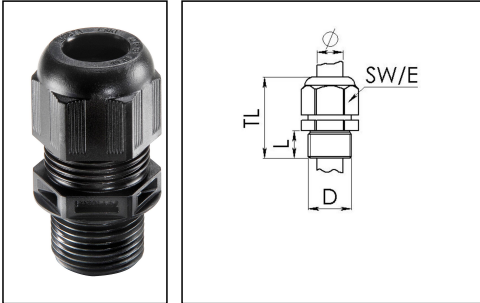


## ESKV-L 50 BK

Cable gland, polyamide, M50, RAL 9005 with long thread



Products may differ in size, colour and appearance to those shown. If you require further information or customisation, please contact us directly.



<b>Material cable gland</b>	Polyamide
<b>Material sealing gasket</b>	EPDM
<b>Protection class</b>	IP69, IP68 (5 bar 30 min)
<b>Temp. range min</b>	-40 °C
<b>Temp. range max</b>	100 °C
<b>Glow wire test</b>	750 °C
<b>Thread type</b>	M
<b>Ø Connection thread D</b>	50
<b>Lead</b>	1,5
<b>Length screw-in thread L</b>	18 mm
<b>Ø cable diameter min</b>	21 mm
<b>Ø cable diameter max</b>	35 mm
<b>Key width SW</b>	55 mm
<b>Collar diameter (E)</b>	61 mm
<b>Total length TL</b>	63 mm - 76 mm
<b>Type of cable anchorage</b>	A
<b>Install. torques fitting</b>	30 N m
<b>Install. torques cap nut</b>	30 N m
<b>Impact category</b>	5
<b>Equipment</b>	Incl. connection thread gasket
<b>Product Color</b>	RAL 9005
<b>Type</b>	ESKV-L 50 BK
<b>Order no. RAL 9005</b>	10066506
<b>Packing unit</b>	10
<b>EAN number</b>	4007685665063

Your Contact:

WISKA Hoppmann GmbH

Kisdorfer Weg 28 · 24568 Kaltenkirchen · Germany

☎ +49-4191-508-0 · 📠 +49-4191-508-209

contact@wiska.de · www.wiska.com

<b>Tariff number</b>	39269097
<b>ETIM-Classification</b>	EC000441

## Recommended accessories

<b>EMUG 50 BK</b>	10061786
<b>RDE 50</b>	10062188
<b>MFD 50/25/050</b>	10063102
<b>BS 35</b>	10064017
<b>MFD 50/09/080</b>	10064394

23.05.2026

Your Contact:

**WISKA Hoppmann GmbH**

Kisdorfer Weg 28 · 24568 Kaltenkirchen · Germany

☎ +49-4191-508-0 · 📠 +49-4191-508-209

contact@wiska.de · www.wiska.com



Your Contact:

**WISKA Hoppmann GmbH**

Kisdorfer Weg 28 · 24568 Kaltenkirchen · Germany

☎ +49-4191-508-0 · 📠 +49-4191-508-209

contact@wiska.de · www.wiska.com