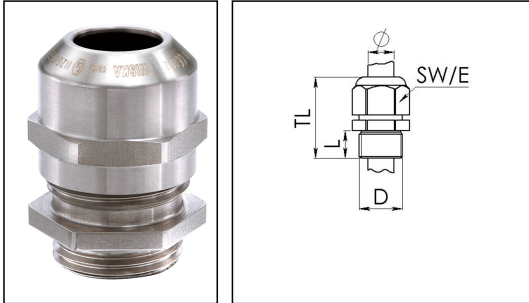


## ESSKE-4 25

Ex-cable gland, stainless steel 1.4404, M25



Products may differ in size, colour and appearance to those shown. If you require further information or customisation, please contact us directly.



|                          |                             |
|--------------------------|-----------------------------|
| Material cable gland     | Stainless steel A4 (1.4404) |
| Material clamping cage   | Polyamide                   |
| Material sealing gasket  | EPDM                        |
| Temp. range min          | -40 °C                      |
| Temp. range max          | 75 °C                       |
| Protection class         | IP66 / IP68 (5 bar 30 min)  |
| Type of protection       | Ex eb, Ex tb                |
| Ex-Certificate           | IECEx, ATEX                 |
| Thread type              | M                           |
| Ø Connection thread D    | 25                          |
| Lead                     | 1,5                         |
| Length screw-in thread L | 7 mm                        |
| Ø cable diameter min     | 10 mm                       |
| Ø cable diameter max     | 17 mm                       |
| Key width SW             | 30 mm                       |
| Collar diameter (E)      | 33 mm                       |
| Total length TL          | 33 mm - 42 mm               |
| Install. torques fitting | 10 N m                      |
| Install. torques cap nut | 10 N m                      |
| WISKA-Order no.          | 10069235                    |
| Type                     | ESSKE-4 25                  |
| Packing unit             | 10                          |
| Tariff number            | 73269098                    |
| EAN number               | 4007685692359               |
| ETIM-Classification      | EC000441                    |

Your Contact:

WISKA Hoppmann GmbH

Kisdorfer Weg 28 · 24568 Kaltenkirchen · Germany

☎ +49-4191-508-0 · 📠 +49-4191-508-209

contact@wiska.de · www.wiska.com

**Recommended accessories**

|               |          |
|---------------|----------|
| <b>RDE 25</b> | 10060768 |
| <b>BS 17</b>  | 10064012 |

23.05.2026

Your Contact:

**WISKA Hoppmann GmbH**

Kisdorfer Weg 28 · 24568 Kaltenkirchen · Germany

 +49-4191-508-0 ·  +49-4191-508-209

contact@wiska.de · www.wiska.com



Your Contact:

**WISKA Hoppmann GmbH**

Kisdorfer Weg 28 · 24568 Kaltenkirchen · Germany

☎ +49-4191-508-0 · 📠 +49-4191-508-209

contact@wiska.de · www.wiska.com